

4

3

2

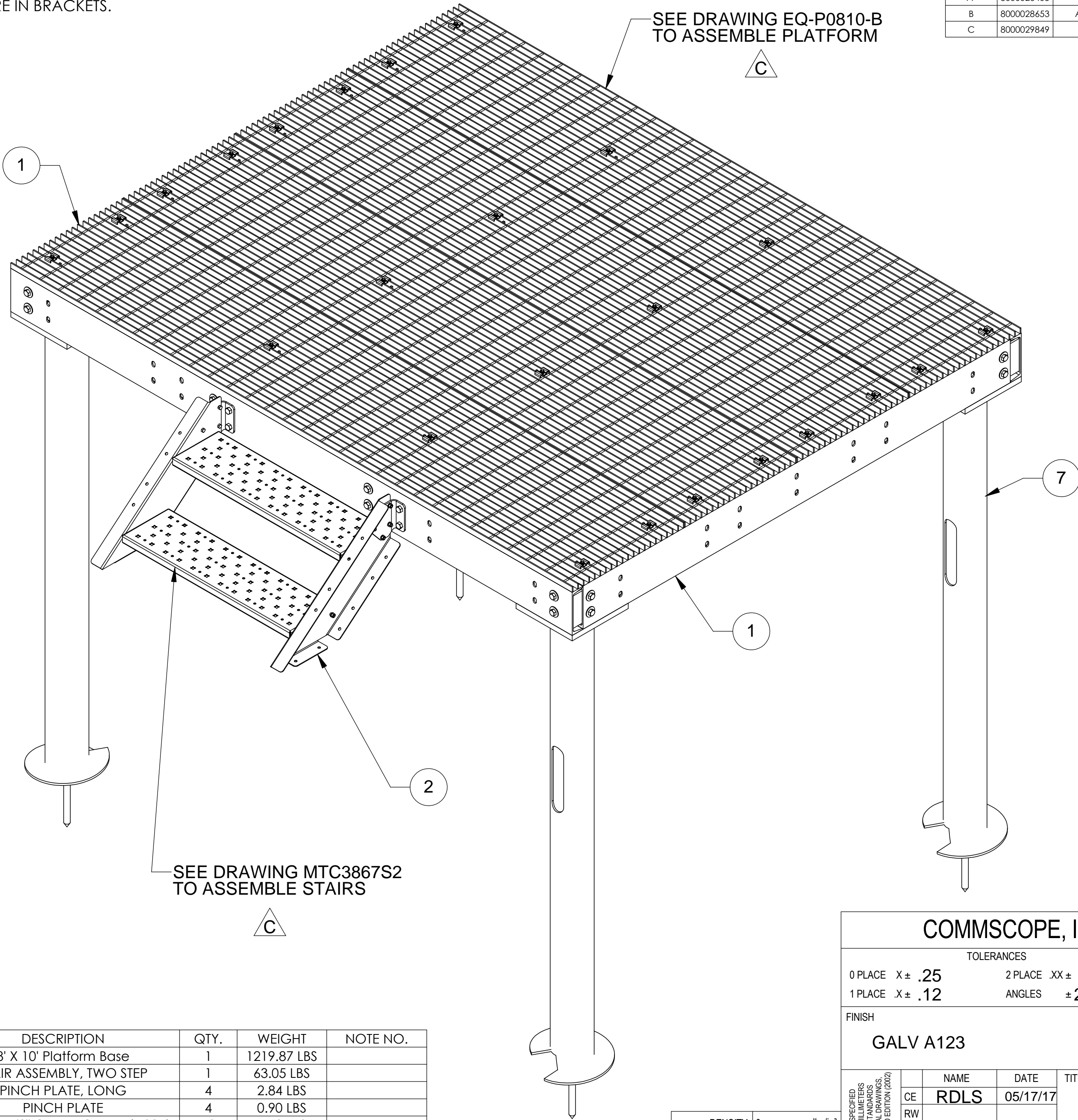
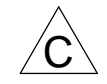
1

NOTES:

1.0 ALL METRIC DIMENSIONS ARE IN BRACKETS.

REVISIONS				
REV.	ECN	DESCRIPTION	BY	DATE
A	8000026405	INITIAL RELEASE	RDLs	09/28/17
B	8000028653	ADDED SHEETS 3 & 4 FOR HELICAL LOCATIONS	RJC	03/05/18
C	8000029849	ADDED CALLOUTS OF SUBASSY DWGS	RJC	06/01/18

SEE DRAWING EQ-P0810-B
TO ASSEMBLE PLATFORM



SEE DRAWING MTC3867S2
TO ASSEMBLE STAIRS



ITEM	PART NO.	DESCRIPTION	QTY.	WEIGHT	NOTE NO.
1	EQ-P0810-B	8' X 10' Platform Base	1	1219.87 LBS	
2	MTC3867S2	STAIR ASSEMBLY, TWO STEP	1	63.05 LBS	
3	MTC397902	PINCH PLATE, LONG	4	2.84 LBS	
4	MTC397901	PINCH PLATE	4	0.90 LBS	
5	GB-0828A	1"-8 X 3-1/2" GALV BOLT KIT (A325)	12	1.10 LBS	
6	GWF-08	1" Galv Flat Washer	16	0.09 LBS	
7	ST-HB07	LIGHTING FOUNDATION 7 FT	4	173.71	

COMMSCOPE, INC. OF NORTH CAROLINA

TOLERANCES 0 PLACE X ± .25 2 PLACE .XX ± .06 1 PLACE X ± .12 ANGLES ± 2°		SAP MATERIAL MASTER MTC3979	
FINISH GALV A123		MATERIAL A500, A529, A572, A1011/A1018	
UNLESS OTHERWISE SPECIFIED DIMENSIONS ARE IN MILLIMETERS INTERPRET PER ISO STANDARDS HANDBOOK TECHNICAL DRAWINGS VOLUMES 1 & 2, THIRD EDITION (2002)			
CE	NAME	DATE	TITLE
RW	RDLs	05/17/17	8X10 PLATFORM, 2-STEP, (4) 7' HELICALS
AD			
RE	TP	05/17/17	
ECN	8000026405	SCALE	DOCUMENT NO.
		1:12	MTC3979
SIZE	WORK AREA	MODEL DRAWING	
C		VERSION	STATUS REVISION
			VERSION STATUS REVISION
			SHEET
			1 OF 4

DENSITY	0	lbs/in ³
MASS	2013	lbs
VOLUME		in ³
SURFACE AREA		in ²
HEIGHT		
LENGTH		
WIDTH		

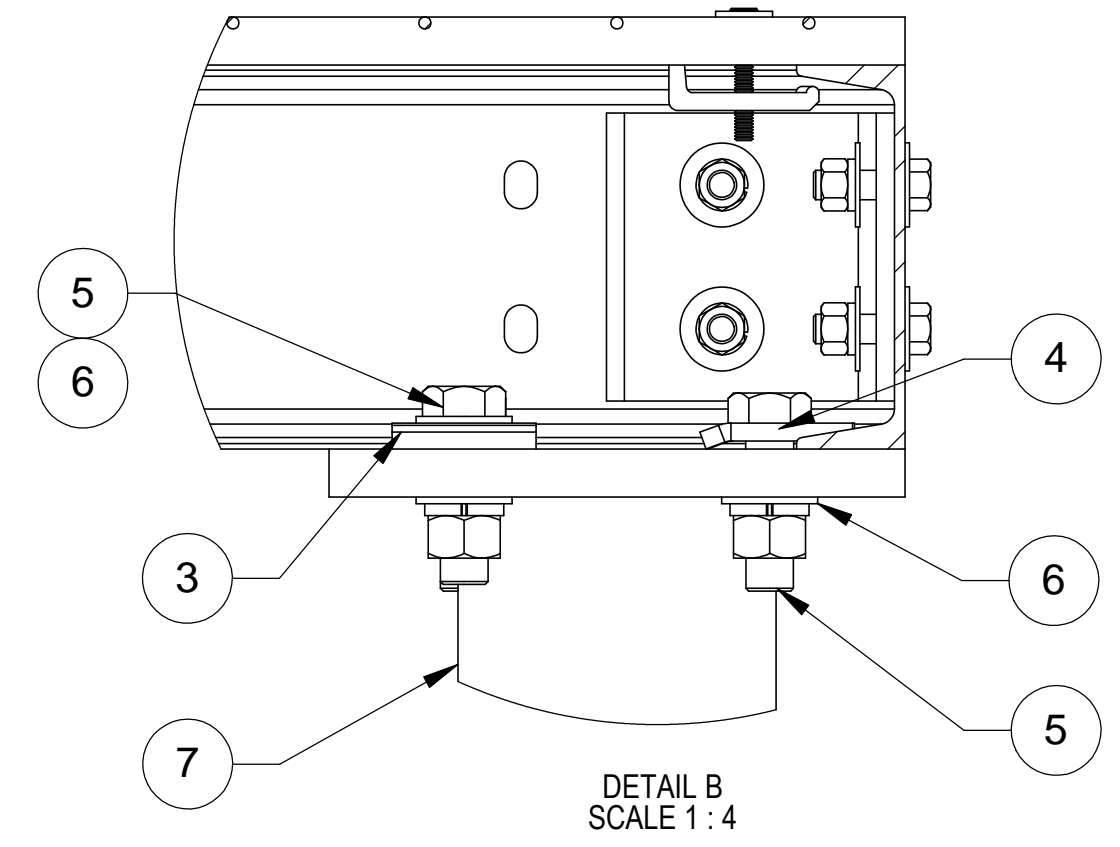
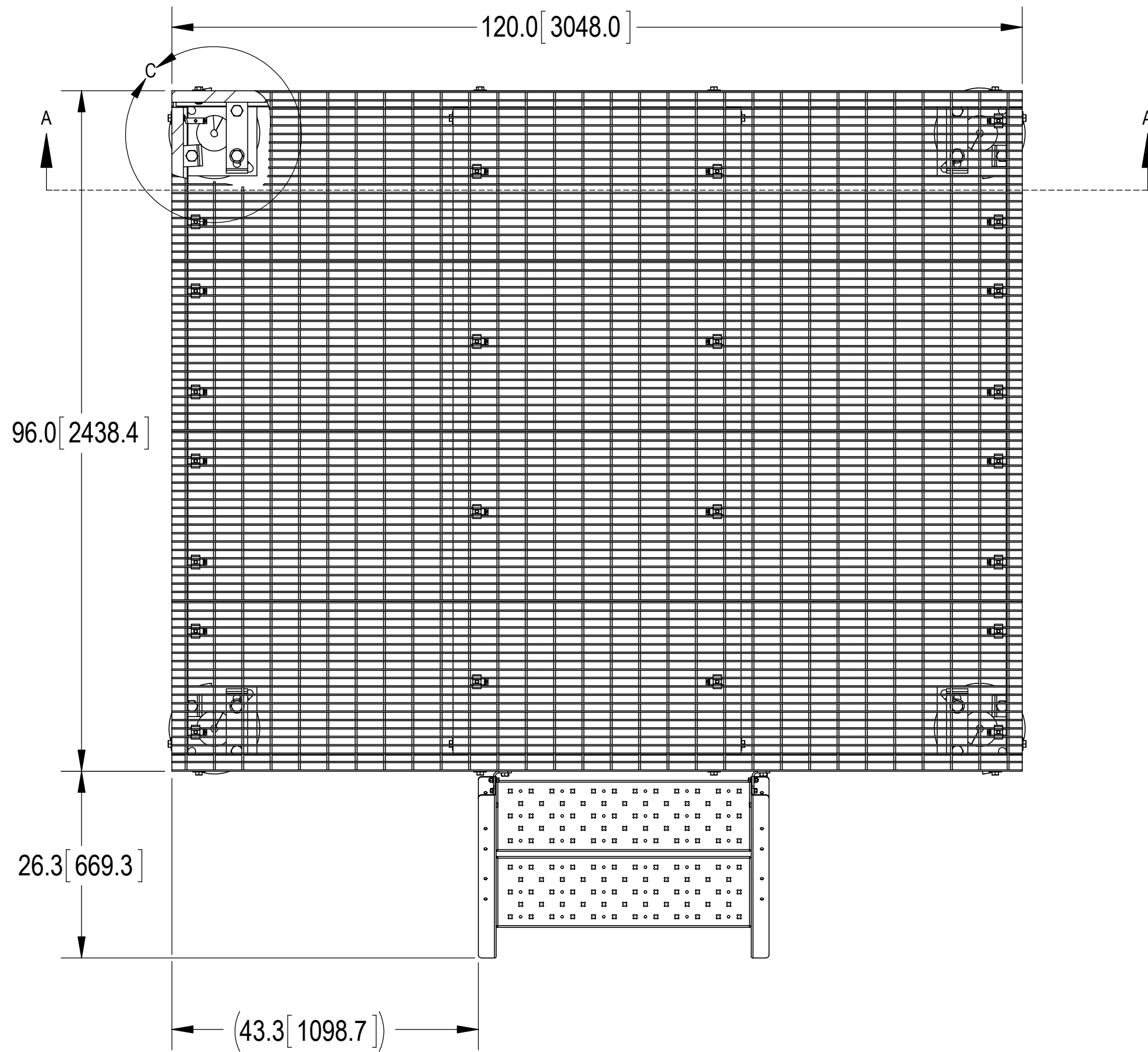
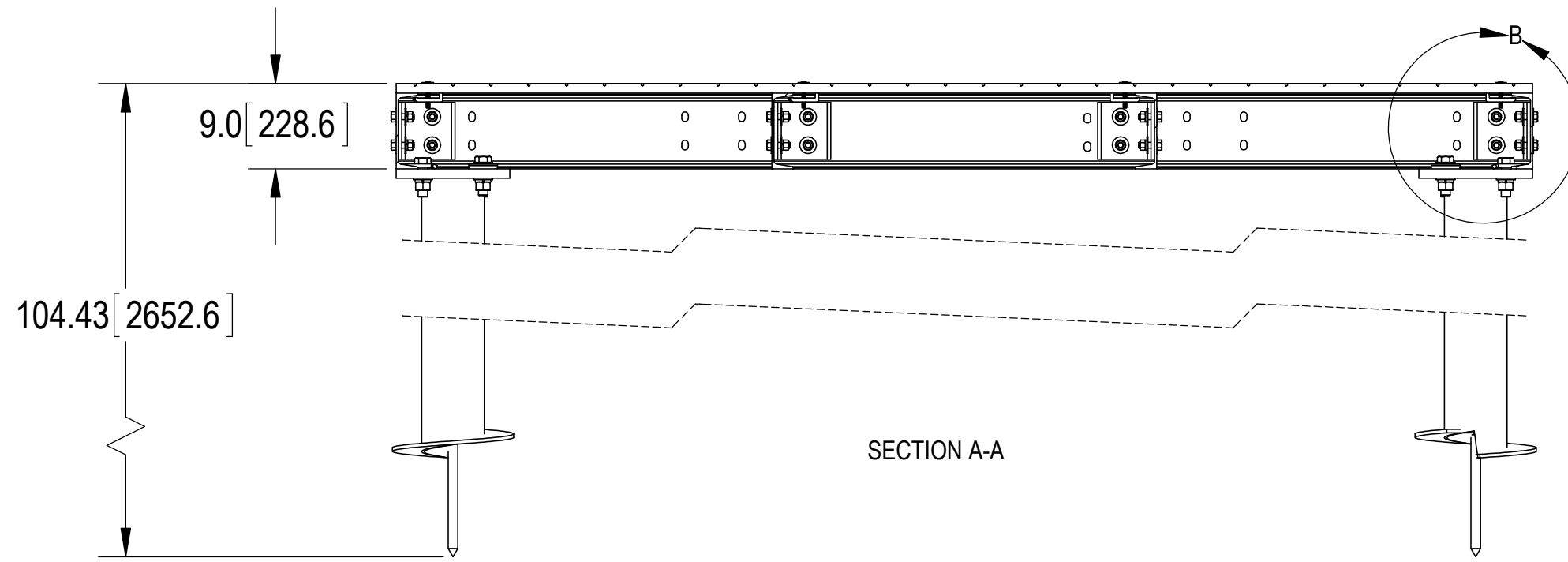
4

3

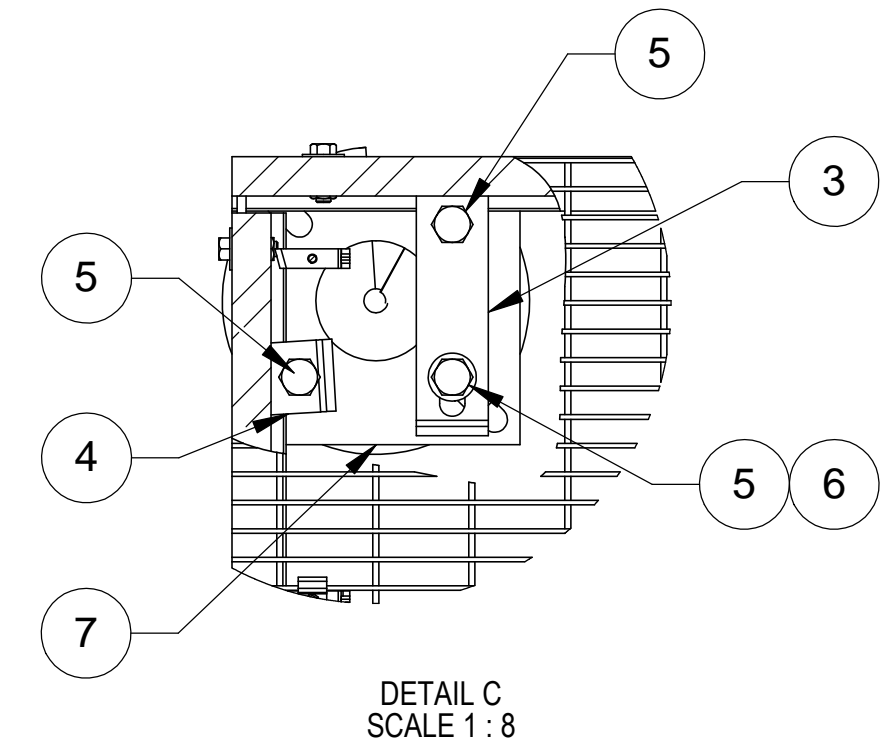
2

1

NOTES:
1.0 ALL METRIC DIMENSIONS ARE IN BRACKETS.



TYPICAL FOR EACH CORNER



COMMScope, INC. OF NORTH CAROLINA			
TITLE 8X10 PLATFORM, 2-STEP, (4) 7' HELICALS			
SIZE C	SCALE 1:16	DOCUMENT NO. MTC3979	
DRAWING		VERSION	REVISION
			C
			SHEET 2 OF 4

4

3

2

1

NOTES:

D

D

C

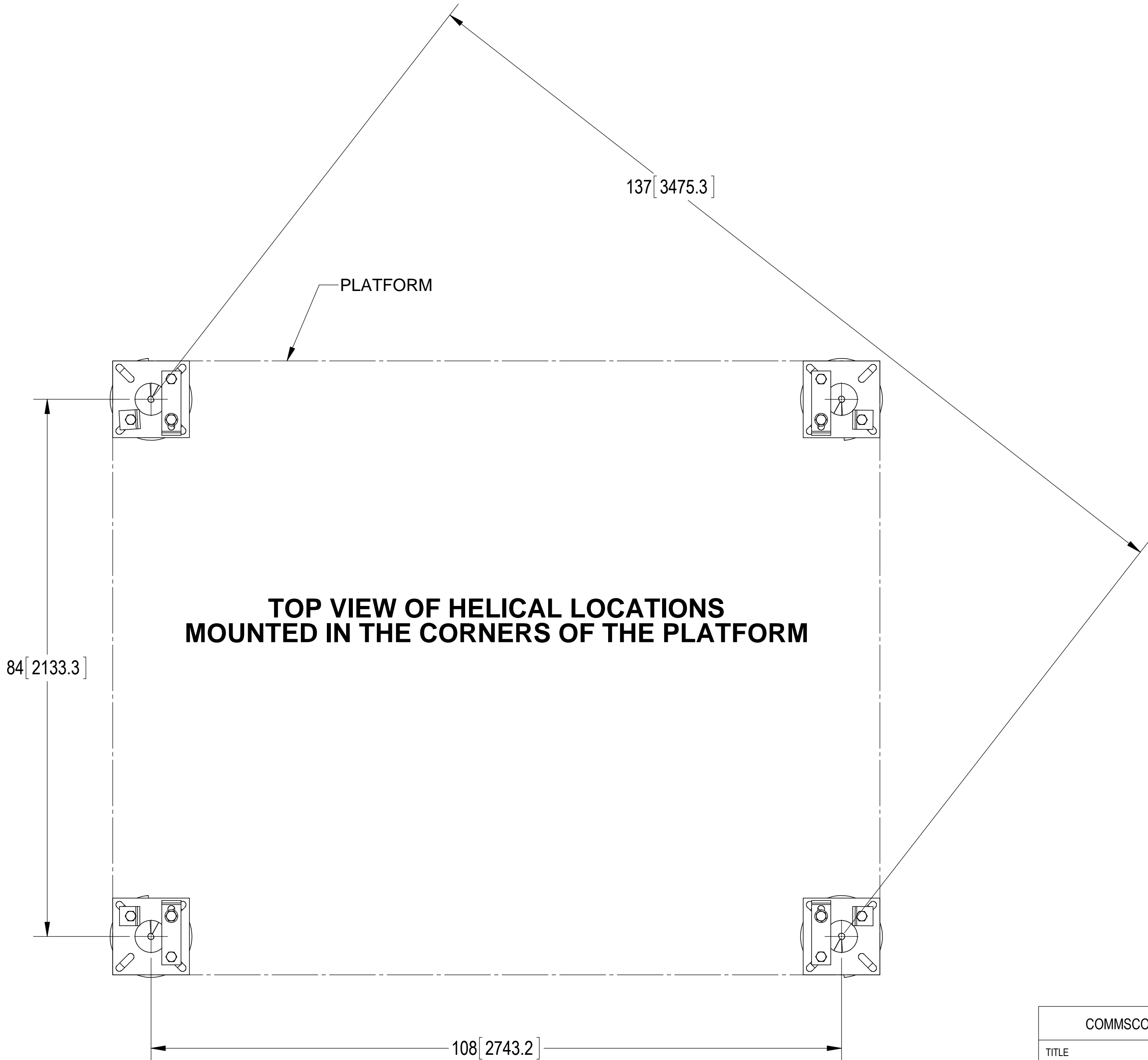
C

B

B

A

A



COMMSCOPE, INC. OF NORTH CAROLINA			
TITLE			
8X10 PLATFORM, 2-STEP, (4) 7' HELICALS			
SIZE	SCALE	DOCUMENT NO.	
C	1:12	MTC3979	
DRAWING		VERSION	REVISION
			C
			SHEET
			3 OF 4

© 2015 CommScope, Inc. Confidential

4

3

2

1

4

3

2

1

NOTES:

D

D

C

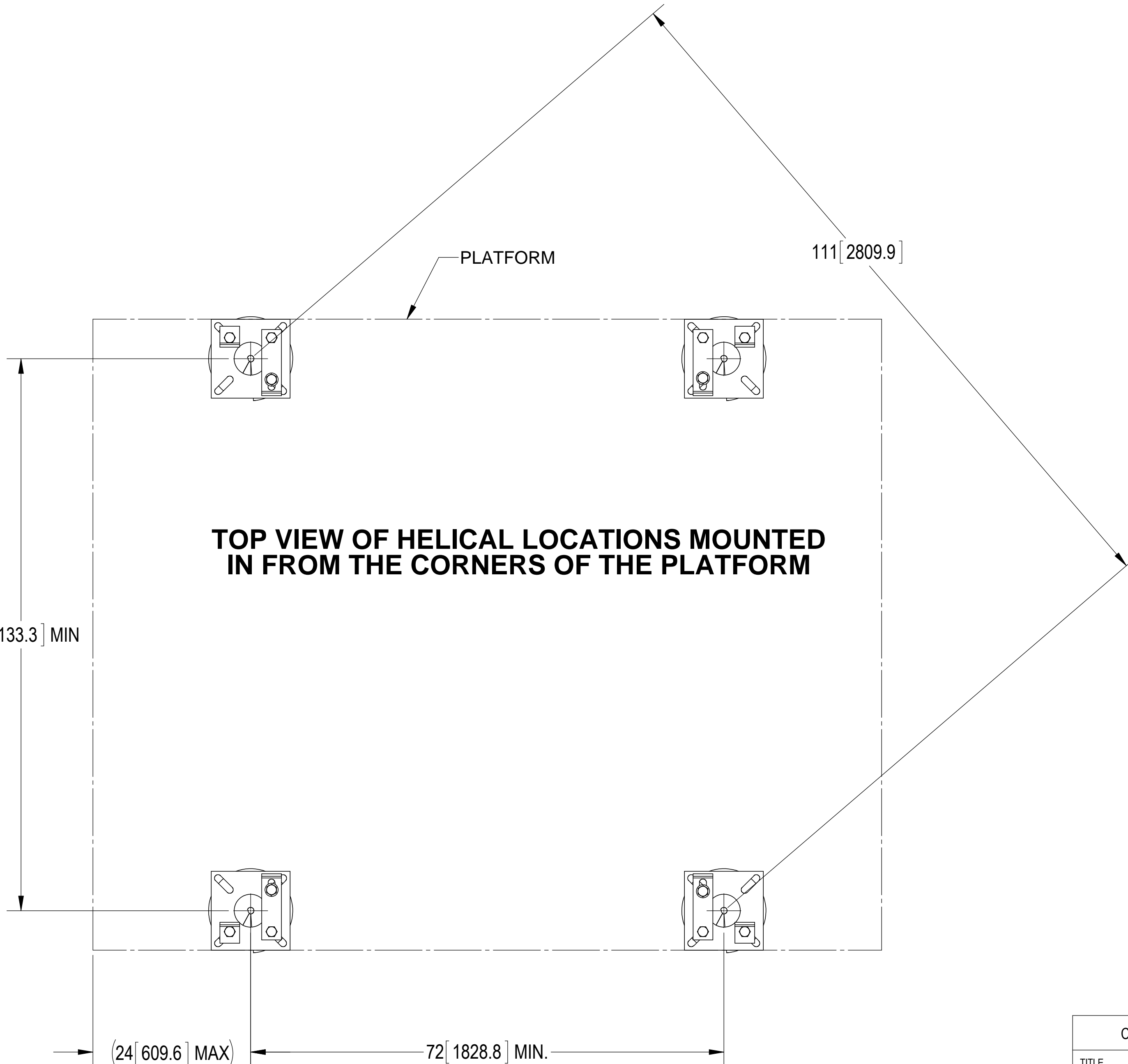
C

B

B

A

A



**TOP VIEW OF HELICAL LOCATIONS MOUNTED
IN FROM THE CORNERS OF THE PLATFORM**

PLATFORM

111 [2809.9]

84 [2133.3] MIN

(24 [609.6] MAX)

72 [1828.8] MIN.

COMMSCOPE, INC. OF NORTH CAROLINA

TITLE
**8X10 PLATFORM, 2-STEP, (4) 7'
HELICALS**

SIZE C	SCALE 1:12	DOCUMENT NO. MTC3979
------------------	----------------------	--------------------------------

DRAWING	VERSION	STATUS	REVISION	SHEET 4 OF 4
			C	

© 2015 CommScope, Inc. Confidential

4

3

2

1