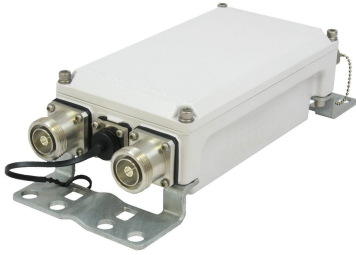


CBC721A-03 | E15V95P17



Active Diplexer, 698–894 MHz/1710–2170 MHz with Sniffer and LOC

OBSOLETE

This product was discontinued on: June 30, 2016

Replaced By:

CDX623T-DS-B
E15V95P62

Twin Diplexer, 555–894 MHz/1695–2360 MHz, dc sense, LOC-bottom

Product Classification

Product Type Diplexer

General Specifications

Product Family CBC721A

Color Gray

Common Port Label COM

Modularity 1-Single

Mounting Pole | Wall

Mounting Pipe Hardware Band clamps (2)

RF Connector Interface 7-16 DIN Female

RF Connector Interface Body Style Medium neck

Test Port Interface N Female

Dimensions

Height 199 mm | 7.835 in

Width 110 mm | 4.331 in

Depth 69 mm | 2.717 in

Ground Screw Diameter 6.35 mm | 0.25 in

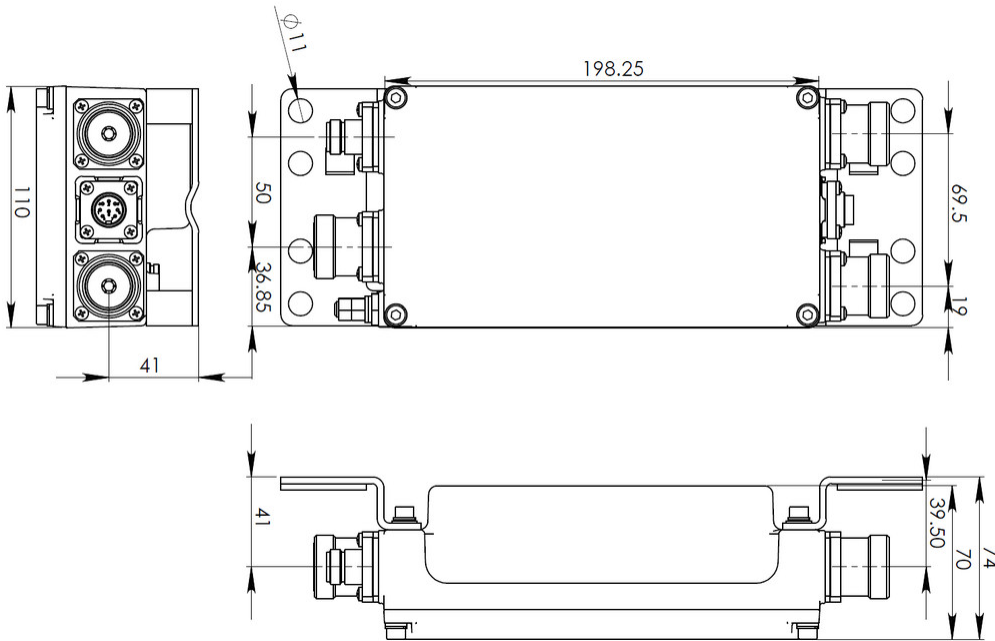
CBC721A-03 | E15V95P17

Mounting Pipe Diameter Range

40-160 mm

CBC721A-03 | E15V95P17

Outline Drawing



Electrical Specifications

Impedance	50 ohm
License Band, Band Pass	APT 700 AWS 1700 CEL 850 DCS 1800 EDD 800 IMT 2100 LMR 750 LMR 800 PCS 1900 USA 700 USA 750

Electrical Specifications, dc Power/Alarm

dc/AISG Pass-through, combiner	dc Sensing
dc/AISG Pass-through, demultiplexer	Branch 2
Lightning Surge Current	10 kA
Lightning Surge Current Waveform	8/20 waveform
Operating Current at Voltage	11 mA @ 12 V 13 mA @ 24 V
Operating Current Tolerance	±2 mA
Voltage	7–30 Vdc

Electrical Specifications, AISG

AISG Carrier	2176 KHz ± 100 ppm
AISG Connector	8-pin DIN Male
AISG Connector Standard	IEC 60130-9

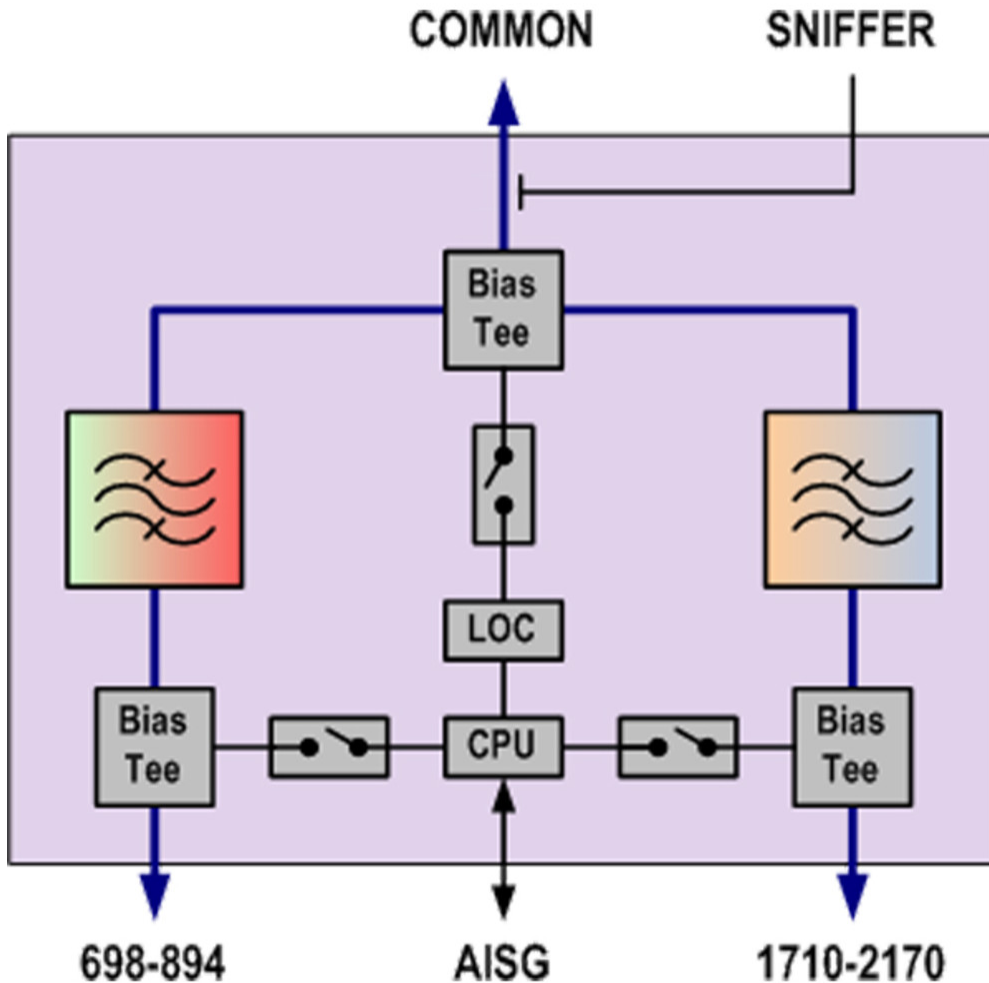
Electrical Specifications

Sub-module	1	1
Branch	1	2
Port Designation	698–894	1710–2170
License Band	APT 700, Band Pass CEL 850, Band Pass EDD 800, Band Pass LMR 750, Band Pass LMR 800, Band Pass USA 700, Band Pass USA 750, Band Pass	AWS 1700, Band Pass DCS 1800, Band Pass IMT 2100, Band Pass PCS 1900, Band Pass
Test Port Coupling, typical, dB	-40	-30

Electrical Specifications, Band Pass

Frequency Range, MHz	698–894	1710–2170
Insertion Loss, maximum, dB	0.15	0.15
Insertion Loss, typical, dB	0.05	0.1
Total Group Delay, maximum, ns	10	10
Return Loss, minimum, dB	22	22
Return Loss, typical, dB	25	25
Isolation, minimum, dB	60	60
Input Power, RMS, maximum, W	500	500
Input Power, PEP, maximum, W	5000	5000
3rd Order PIM, typical, dBc	-155	-155
3rd Order PIM Test Method	2 x 20 W CW tones	2 x 20 W CW tones

Block Diagram



Environmental Specifications

Operating Temperature	-40 °C to +65 °C (-40 °F to +149 °F)
Relative Humidity	5%–100%
Ingress Protection Test Method	IEC 60529:2001, IP67

Packaging and Weights

Included	Mounting hardware
Volume	1.5 L
Weight, net	2.1 kg 4.63 lb

Regulatory Compliance/Certifications

Agency

ISO 9001:2015



Classification

Designed, manufactured and/or distributed under this quality management system