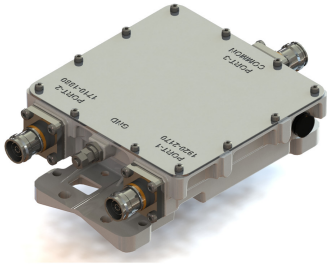


E12F05P98



Diplexer, DCS 1800/UMTS 2100, AISG compatible, dc pass on UMTS port, with 4.3-10 connectors

- New 4.3-10 connectors for improved PIM performance and size reduction
- Designed for network Modernization, introduction of LTE1800 on existing site
- Designed for network Modernization, introduction of UMTS2100 on existing site
- Industry leading PIM performance
- dc/AISG pass-through on high frequency ports

OBSOLETE

This product was discontinued on: December 31, 2023

Replaced By:

E14F06P32

Ultra Compact Single Diplexer 1350-1880/1920-2690, 4.3-10 connectors

Product Classification

Product Type Diplexer

General Specifications

Product Family	CBC1821
Color	Gray
Common Port Label	PORT 3 COMMON
Modularity	1-Single
Mounting	Pole Wall
Mounting Pipe Hardware	Band clamps (2)
RF Connector Interface	4.3-10 Female
RF Connector Interface Body Style	Long neck

Dimensions

Height	149 mm 5.866 in
Width	145 mm 5.709 in
Depth	42 mm 1.654 in
Mounting Pipe Diameter Range	40–160 mm

Electrical Specifications

E12F05P98

Impedance	50 ohm
License Band, Band Pass	DCS 1800 IMT 2100

Electrical Specifications, dc Power/Alarm

dc/AISG Pass-through, combiner	Branch 2
dc/AISG Pass-through, demultiplexer	Branch 2
Lightning Surge Current	3 kA
Lightning Surge Current Waveform	10/350 waveform

Electrical Specifications

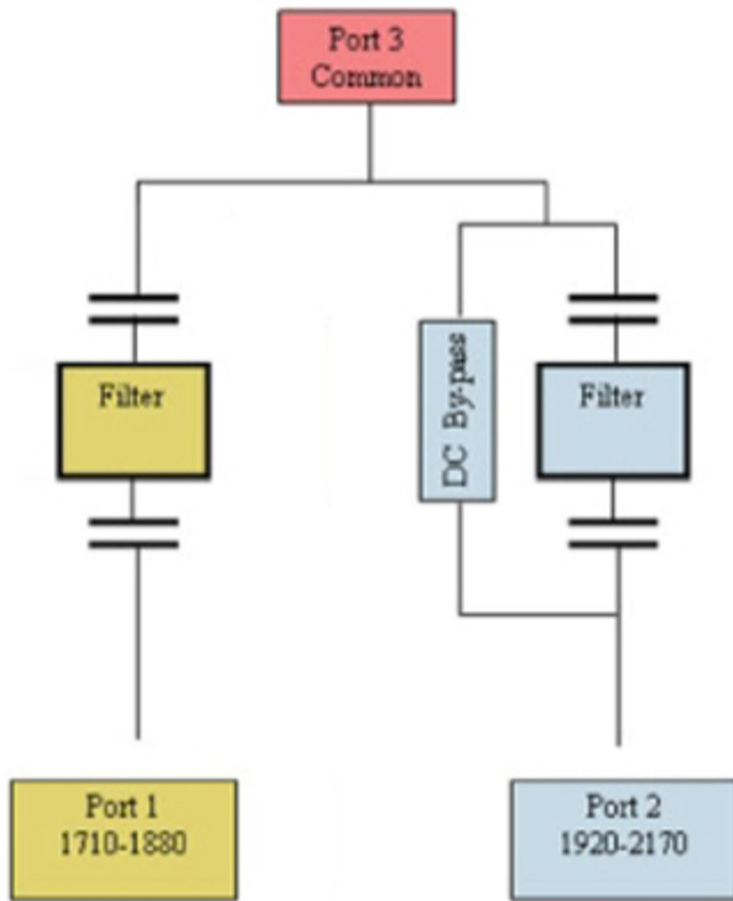
Sub-module	1	1
Branch	1	2
Port Designation	PORT 2 1710-1880	Port 1 1920-2170
License Band	DCS 1800, Band Pass IMT 2100, Band Pass	

Electrical Specifications, Band Pass

Frequency Range, MHz	1710–1880	1920–2170
Insertion Loss, typical, dB	0.15	0.25
Return Loss, minimum, dB	18	18
Return Loss, typical, dB	20	20
Isolation, minimum, dB	50	50
Input Power, RMS, maximum, W	250	250
3rd Order PIM, typical, dBc	-161	
3rd Order PIM Test Method	Two +43 dBm carriers	
7th Order PIM, typical, dBc		-168
7th Order PIM Test Method		Two +43 dBm carriers

Block Diagram

E12F05P98



Environmental Specifications

Operating Temperature	-40 °C to +60 °C (-40 °F to +140 °F)
Corrosion Test Method	IEC 60068-2-11, 30 days
Ingress Protection Test Method	IEC 60529:2001, IP67

Packaging and Weights

Included	Mounting hardware
Volume	0.9 L
Weight, net	2 kg 4.409 lb

Regulatory Compliance/Certifications

Agency	Classification
--------	----------------

E12F05P98

ISO 9001:2015

Designed, manufactured and/or distributed under this quality management system

