

# QD-PCS-B525\_B4-G



## PCS Quad In-Band Diplexer GB525, B/BEFCG Bands with AISG/DC Sense

- Automatic dc switching with dc sense

### OBSOLETE

This product was discontinued on: December 1, 2019

## Product Classification

**Product Type** Diplexer

## General Specifications

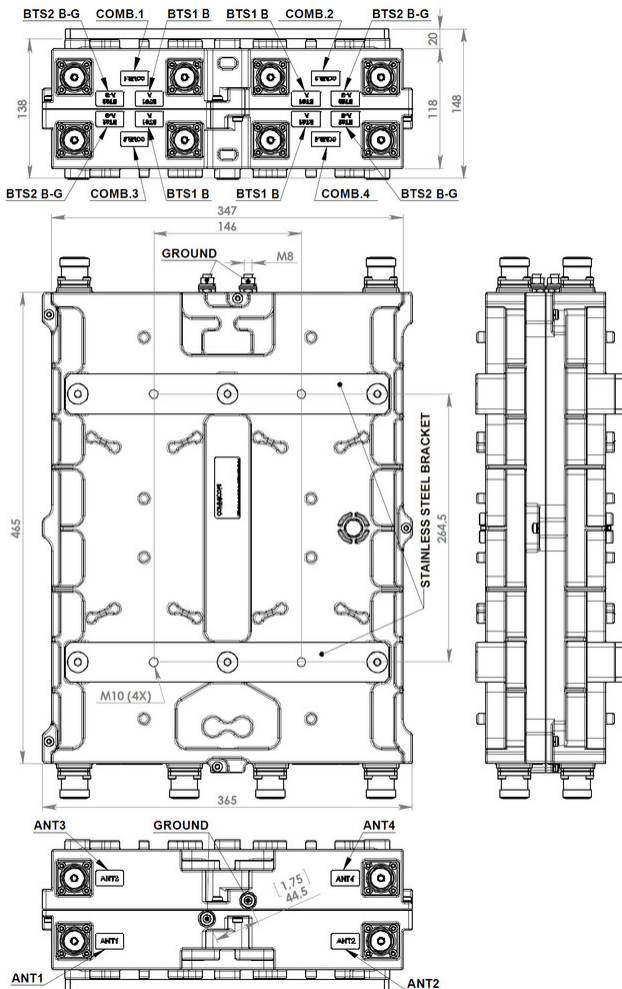
**Application** Indoor | Outdoor  
**AISG Carrier** 2176 KHz  $\pm$  100 ppm  
**Connector Interface** 7-16 DIN Female  
**Connector Interface Style** Medium neck

## Dimensions

**Height** 465 mm | 18.307 in  
**Width** 365 mm | 14.37 in  
**Depth** 148 mm | 5.827 in  
**Ground Screw Diameter** 8 mm | 0.315 in

# QD-PCS-B525\_B4-G

## Outline Drawing



## Electrical Specifications

<b>3rd Order IMD Test Method</b>	Two +43 dBm carriers
<b>3rd Order IMD, maximum</b>	153 dBm
<b>Lightning Surge Current</b>	10 kA
<b>Lightning Surge Current Waveform</b>	8/20 waveform

## Electrical Specifications, Rx (Uplink)

<b>Frequency Band</b>	1870.625 – 1875.625 MHz
<b>Insertion Loss, maximum</b>	1 dB
<b>Insertion Loss, typical</b>	0.8 dB

# QD-PCS-B525\_B4-G

---

<b>Return Loss, minimum</b>	18 dB
<b>Isolation, minimum</b>	28 dB
<b>Isolation, minimum, specific</b>	20 dB ( $\pm 500$ KHz from band edge)

## Electrical Specifications 2, Rx (Uplink)

<b>Frequency Band</b>	1876.875 – 1914.75 MHz
<b>Isolation, minimum</b>	28 dB
<b>Isolation, minimum, specific</b>	20 dB ( $\pm 500$ KHz from band edge)
<b>Insertion Loss, maximum</b>	1 dB
<b>Insertion Loss, typical</b>	0.8 dB
<b>Return Loss, minimum</b>	18 dB

## Electrical Specifications, Tx (Downlink)

<b>Frequency Band</b>	1950.625 – 1955.625 MHz
<b>Isolation, minimum</b>	28 dB
<b>Isolation, minimum, specific</b>	20 dB ( $\pm 500$ KHz from band edge)
<b>Input Power, PEP, maximum</b>	3000 W
<b>Total Group Delay, maximum</b>	230 ns
<b>Insertion Loss, maximum</b>	1 dB
<b>Insertion Loss, typical</b>	0.8 dB
<b>Return Loss, minimum</b>	18 dB

## Electrical Specifications 2, Tx (Downlink)

<b>Frequency Band</b>	1956.875 – 1994.75 MHz
<b>Input Power, PEP, maximum</b>	3000 W
<b>Insertion Loss, maximum</b>	1 dB
<b>Insertion Loss, typical</b>	0.8 dB
<b>Isolation, minimum</b>	28 dB
<b>Isolation, minimum, specific</b>	20 dB ( $\pm 500$ KHz from band edge)
<b>Return Loss, minimum</b>	18 dB
<b>Total Group Delay, maximum</b>	230 ns

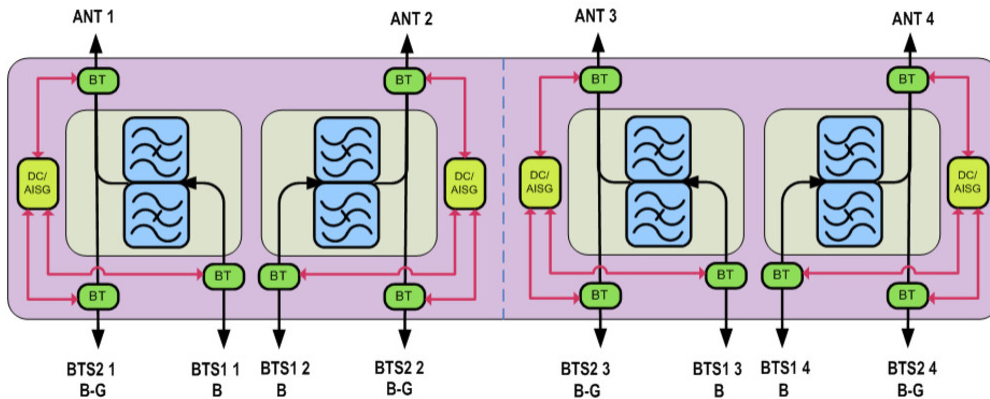
## Electrical Specifications, AISG

<b>Insertion Loss, maximum</b>	1 dB
--------------------------------	------

# QD-PCS-B525\_B4-G

**Return Loss, minimum** 15 dB

## Block Diagram



## Environmental Specifications

**Operating Temperature** -40 °C to +60 °C (-40 °F to +140 °F)

**Ingress Protection Test Method** IEC 60529:2001, IP67

## Packaging and Weights

**Included** Brackets

**Weight, net** 28 kg | 61.729 lb