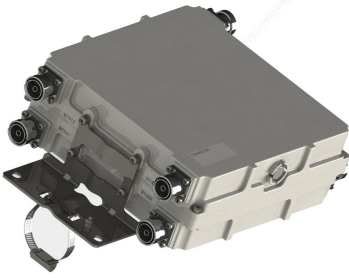


TD-PCS-5-A4_D-B4_G | E15Z50P16



PCS Twin In-Band Diplexer Tuning version 2, PCS A4A5D/B4B5EFCG Bands with AISG/DC Sense

- Automatic dc switching with dc sense

OBSOLETE

Replaced By:

CHB626-43-2X
D15T01P38

Twin Hybrid Combiner

Product Classification

Product Type Diplexer

General Specifications

Application Indoor | Outdoor

Antenna Interface 7-16 DIN Female

Connector Interface Style Long neck

Rx Interface 7-16 DIN Female

Dimensions

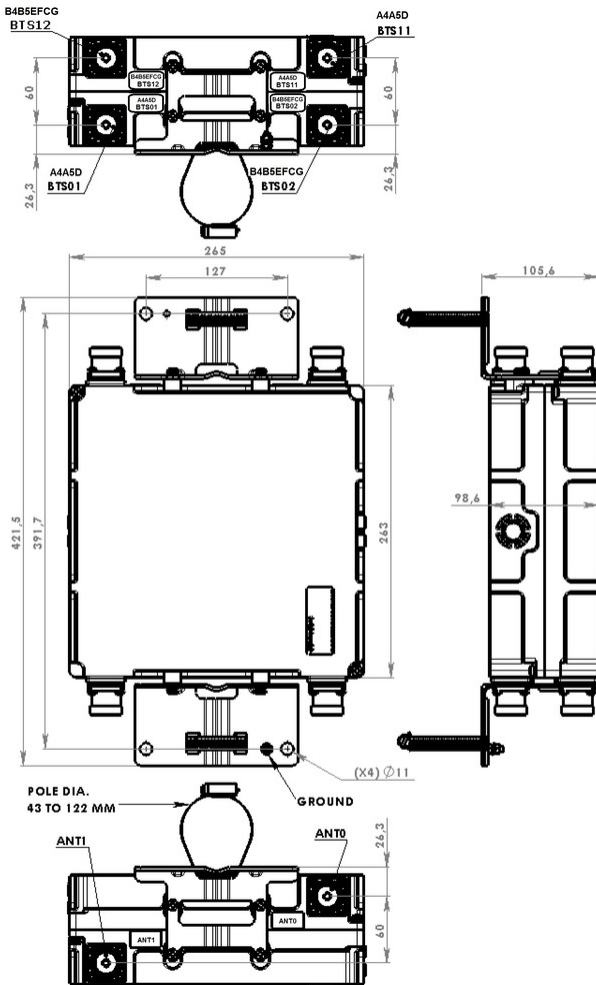
Height 263 mm | 10.354 in

Width 265 mm | 10.433 in

Depth 95.6 mm | 3.764 in

Ground Screw Diameter 5 mm | 0.197 in

Outline Drawing



Electrical Specifications, Rx (Uplink)

Frequency Band	1855 – 1870 MHz
Insertion Loss, maximum	0.8 dB
Insertion Loss, typical	0.5 dB
Return Loss, minimum	18 dB
Isolation, minimum	30 dB
Total Group Delay, maximum	60 ns

Electrical Specifications 2, Rx (Uplink)

Frequency Band	1875 – 1915 MHz
-----------------------	-----------------

Isolation, minimum	30 dB
Total Group Delay, maximum	60 ns
Insertion Loss, maximum	0.8 dB
Insertion Loss, typical	0.5 dB
Return Loss, minimum	18 dB

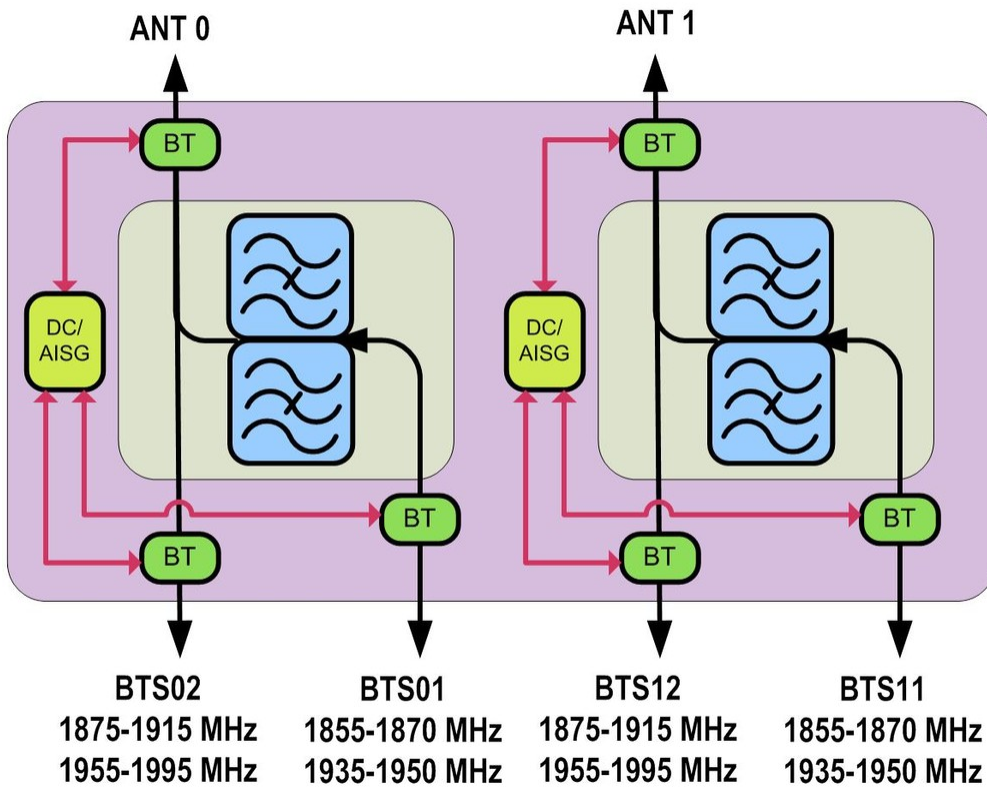
Electrical Specifications, Tx (Downlink)

Frequency Band	1935 – 1950 MHz
Isolation, minimum	30 dB
Input Power, PEP, maximum	2000 W
Input Power, RMS, maximum	100 W
Total Group Delay, maximum	60 ns
Insertion Loss Ripple, maximum	0.8 dB
Insertion Loss, typical	0.5 dB
Return Loss, minimum	18 dB

Electrical Specifications 2, Tx (Downlink)

Frequency Band	1955 – 1995 MHz
Input Power, PEP, maximum	2000 W
Insertion Loss, maximum	0.8 dB
Insertion Loss, typical	0.5 dB
Isolation, minimum	30 dB
Return Loss, minimum	18 dB
Total Group Delay, maximum	60 ns

Block Diagram



Environmental Specifications

Operating Temperature -40 °C to +60 °C (-40 °F to +140 °F)
Ingress Protection Test Method IEC 60529:2001, IP67

Packaging and Weights

Included Brackets
Weight, without mounting hardware 8.9 kg | 19.621 lb