

Fiber indoor/outdoor cable, LightScope® ZWP, dry loose tube, 4 fiber, Singlemode G.652.D and G.657.A1, Gel-free, Yellow jacket color, Dca flame rating. Provides Rodent Resistance

OBSOLETE

This product was discontinued on: March 31, 2023

Product Classification

Regional Availability	Asia Australia/New Zealand EMEA
Portfolio	CommScope®
Product Type	Fiber indoor/outdoor cable
Product Series	C-CN

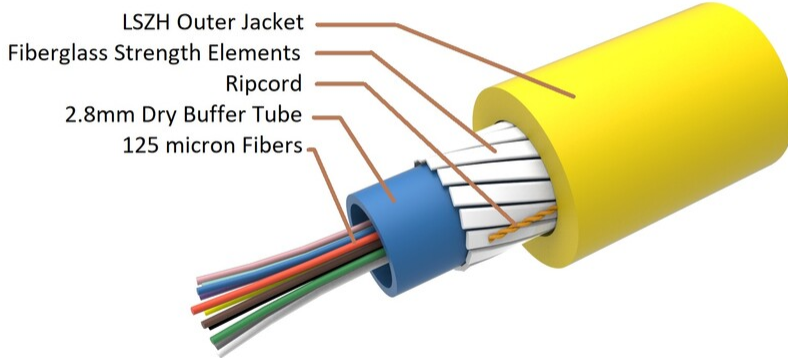
General Specifications

Cable Type	Loose tube
Subunit Type	Gel-free
Jacket Color	Yellow
Jacket Marking	Meters
Fibers per Subunit, quantity	4
Total Fiber Count	4

Dimensions

Cable Length	4000 m 13,123.36 ft
Diameter Over Jacket	6.4 mm 0.252 in

Representative Image



Mechanical Specifications

Minimum Bend Radius, loaded	139.7 mm 5.5 in
Minimum Bend Radius, unloaded	129.5 mm 5.098 in
Tensile Load, long term, maximum	650 N 146.126 lbf
Tensile Load, short term, maximum	1250 N 281.011 lbf

Optical Specifications

Fiber Type G.652.D and G.657.A1, TeraSPEED® | OS2

Optical Specifications, Wavelength Specific

Attenuation, maximum	0.35 dB/km @ 1,300 nm 0.35 dB/km @ 1,550 nm 0.45 dB/km @ 1,310 nm
Standards Compliance	IEC 60794-1 TIA-492CAAB (OS2)

Environmental Specifications

Operating Temperature	-10 °C to +70 °C (+14 °F to +158 °F)
Storage Temperature	-10 °C to +70 °C (+14 °F to +158 °F)
EN50575 CPR Cable EuroClass Fire Performance	Dca
EN50575 CPR Cable EuroClass Smoke Rating	s2
EN50575 CPR Cable EuroClass Droplets Rating	d2

EN50575 CPR Cable EuroClass Acidity Rating

a1

Environmental Space

Universal Low Smoke Zero Halogen (ULSZH)

Packaging and Weights

Cable weight

47 kg/km | 31.583 lb/kft

Included Products

CS-8W-250-EMEA - LightScope® ZWP Singlemode Fiber
250um

* Footnotes

Operating Temperature Specification applicable to non-terminated bulk fiber cable