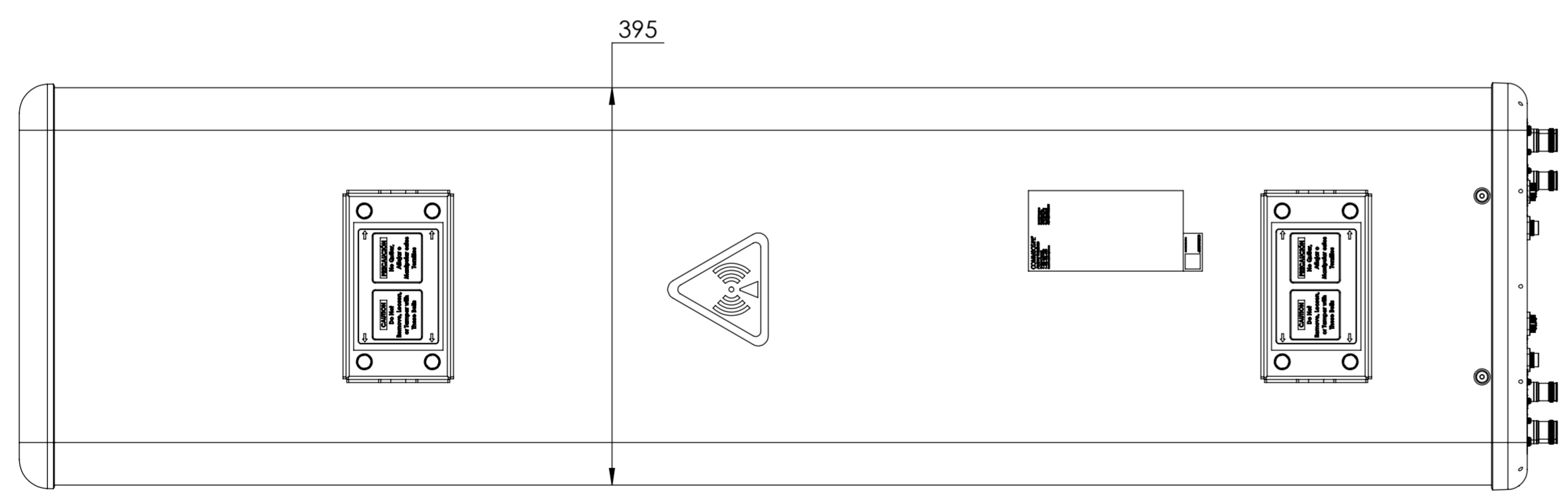
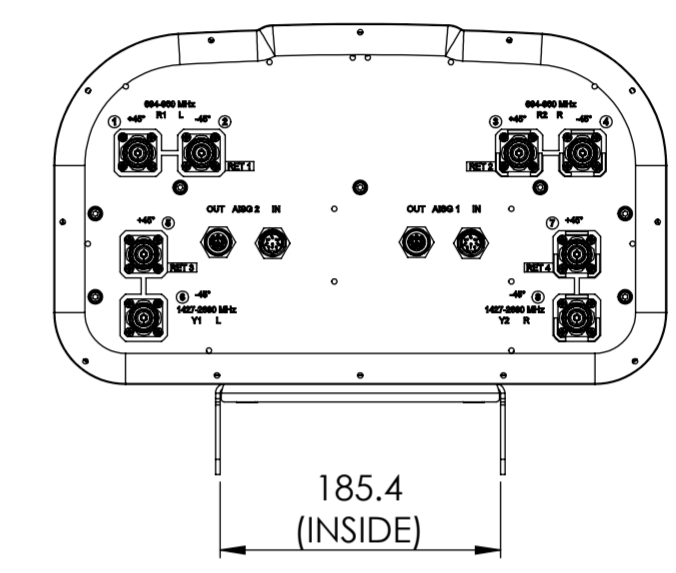
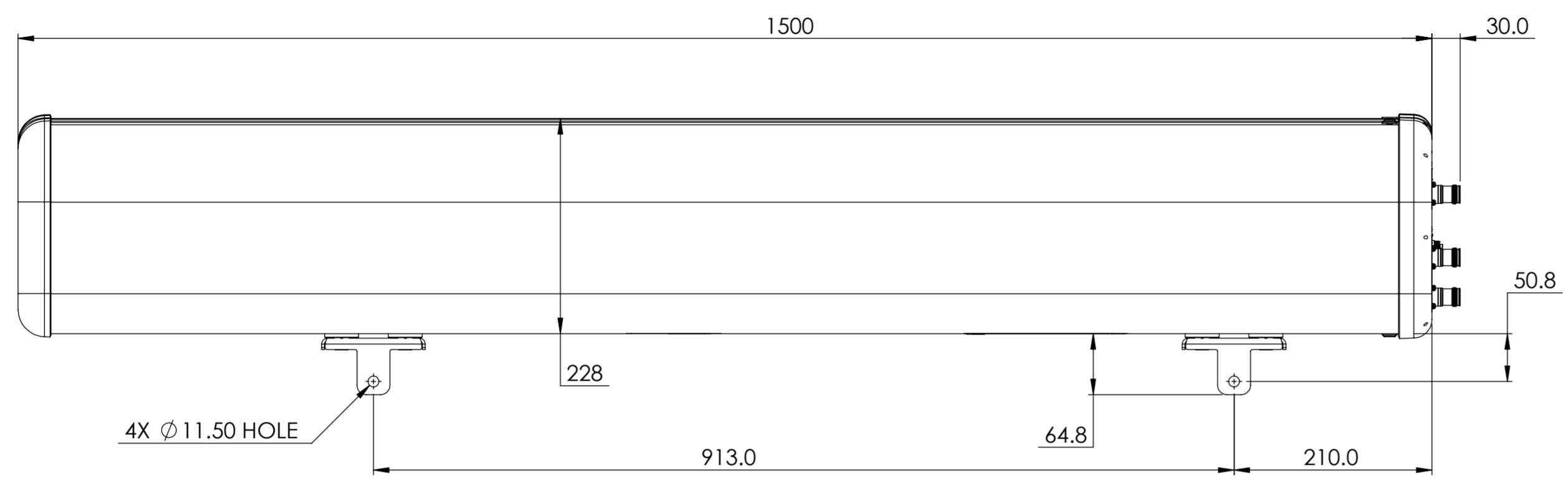


| REVISIONS | | | |
|-----------|---|-------------|----------|
| REV. | DESCRIPTION | DATE | APPROVED |
| A | ECR 8000042345: REL TO PRODUCTION PER EAO 608621. | 19FEB21 RDD | WXW/GPF |



RRZZ-65A-R4N39

COMMSCOPE, INC. OF NORTH CAROLINA

| | | | |
|--|------------------|---------------------|----------|
| TOLERANCES | | SAP MATERIAL MASTER | |
| 0 PLACE X ± | 2 PLACE .XX ± | | |
| 1 PLACE .X ± | ANGLES ± | | |
| FINISH | | MATERIAL | |
| UNLESS OTHERWISE SPECIFIED DIMENSIONS ARE IN MILLIMETERS INTERPRET PER ISO STANDARDS HANDBOOK TECHNICAL DRAWINGS VOLUMES 1 & 2, THIRD EDITION (2002) | | NAME | DATE |
| CE | RDD | | 19FEB21 |
| RW | | PRODUCT DRAWING | |
| AD | | | |
| RE | | | |
| ECN | | | |
| SCALE | DOCUMENT NO. | | |
| 1:5 | RRZZ-65A-R4N39-L | | |
| SIZE | Auth Group | MODEL | |
| A2 | | VERSION | STATUS |
| | | REVISION | DRAWING |
| | | VERSION | STATUS |
| | | REVISION | REVISION |
| | | SHEET | |
| | | 1 OF 1 | |