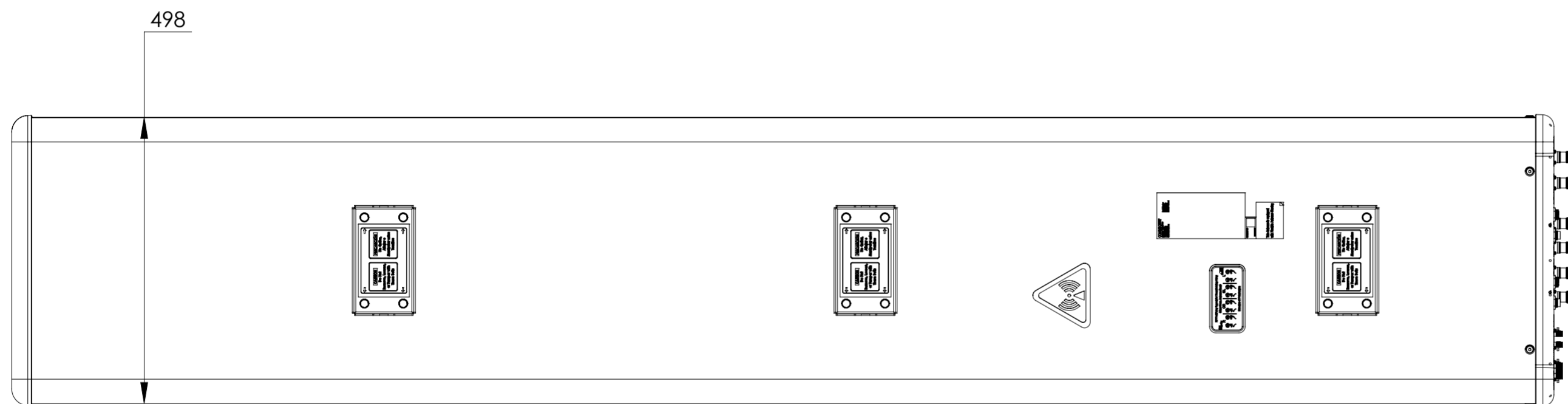
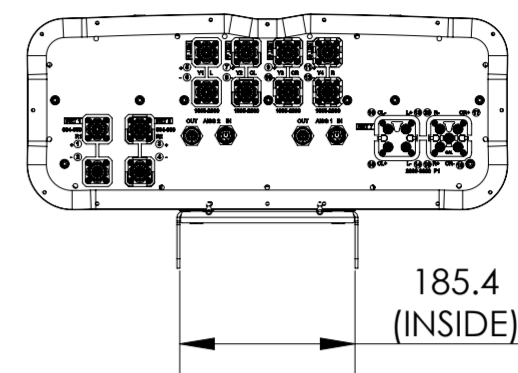
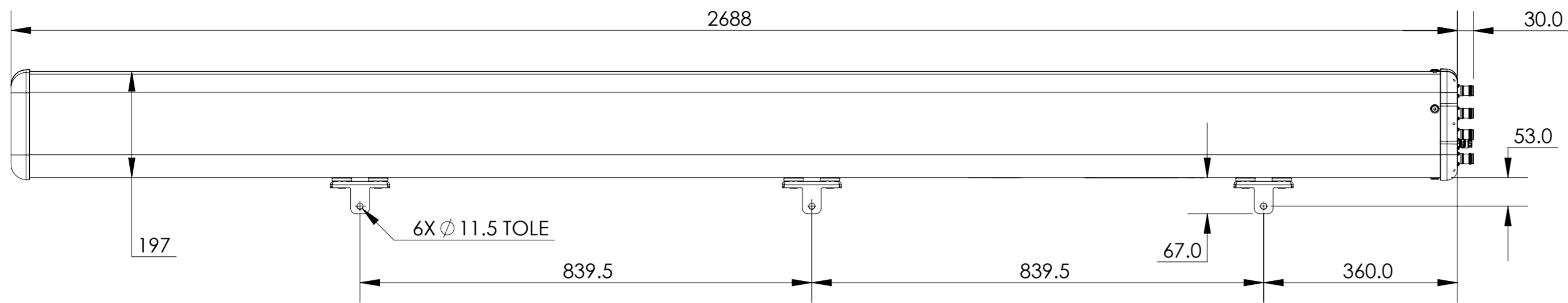



REVISIONS			
REV.	DESCRIPTION	DATE	APPROVED
A	ECR 13225PC: REL TO PRODUCTION PER EAO 609963.	05AUG21 PL	LBY/JDS



RRV4Q4-65D-R7

<b>COMMSCOPE, INC. OF NORTH CAROLINA</b>										
TOLERANCES					SAP MATERIAL MASTER					
0 PLACE		X ±		2 PLACE		.XX ±				
1 PLACE		.X ±		ANGLES		±				
FINISH					MATERIAL					
<b>PRODUCT DRAWING</b>										
UNLESS OTHERWISE SPECIFIED DIMENSIONS ARE IN MILLIMETERS INTERPRET PER ISO STANDARDS HANDBOOK TECHNICAL DRAWINGS VOLUMES 1 & 2, THIRD EDITION (2002)		CE	PL	8/5/2021	SCALE: <b>1:8</b> DOCUMENT NO. <b>RRV4Q4-65D-R7-L</b>					
		RW	PL1051	08/05/2021						
		RV	ZG1008	09/04/2020						
		AD	ELI2	08/08/2021						
RE		QS1002		08/09/2021	ECN 13225PC					
SIZE		WORK AREA	BSA	MODEL						DRAWING
<b>A2</b>				VERSION	STATUS	REVISION	VERSION	STATUS	REVISION	1 OF 1
				00	RE	A	00	RE	A	

DENSITY	g/mm <sup>3</sup>
MASS	grams
VOLUME	mm <sup>3</sup>
SURFACE AREA	mm <sup>2</sup>
HEIGHT	
LENGTH	
WIDTH	