

# HST-B2HNA0150NU000



HST, NOVUX™ Hardened Standard Terminal, 2-port, Dielectric flat loose tube cable, 150 ft/45 m, Universal mounting bracket

- NOVUX™ Hardened Multi-fiber Terminals incorporate hardened connector technology that is designed to withstand the rugged outside plant environment
- Hardened connectors are factory-integrated and environmentally sealed for use in optical drop cable deployments
- Plug and play adapter ports ensure rapid cable installment in the outside plant access section of the network
- NOVUX™ HST terminals are available with 2 to 12 ports and can be utilized in Single Fiber Point-to-Point (P2P) solutions
- Available with flat dielectric, flat toneable/locatable dielectric, armored or 5mm round cable
- NOVUX™ smaller terminal size for aesthetics and allowing installation in constrained spaces
- NOVUX™ terminals are available in Black (RAL# 9005) or Gray (RAL# 7035)
- CommScope Product ID plate with QR code link to product documents and C-Track

## Product Classification

|                               |                                             |
|-------------------------------|---------------------------------------------|
| <b>Regional Availability</b>  | Asia   EMEA   Latin America   North America |
| <b>Product Type</b>           | Access terminal, without splitter/tap       |
| <b>Product Brand</b>          | NOVUX™                                      |
| <b>Product Series</b>         | HST                                         |
| <b>Minimum Order Quantity</b> | 1                                           |

## General Specifications

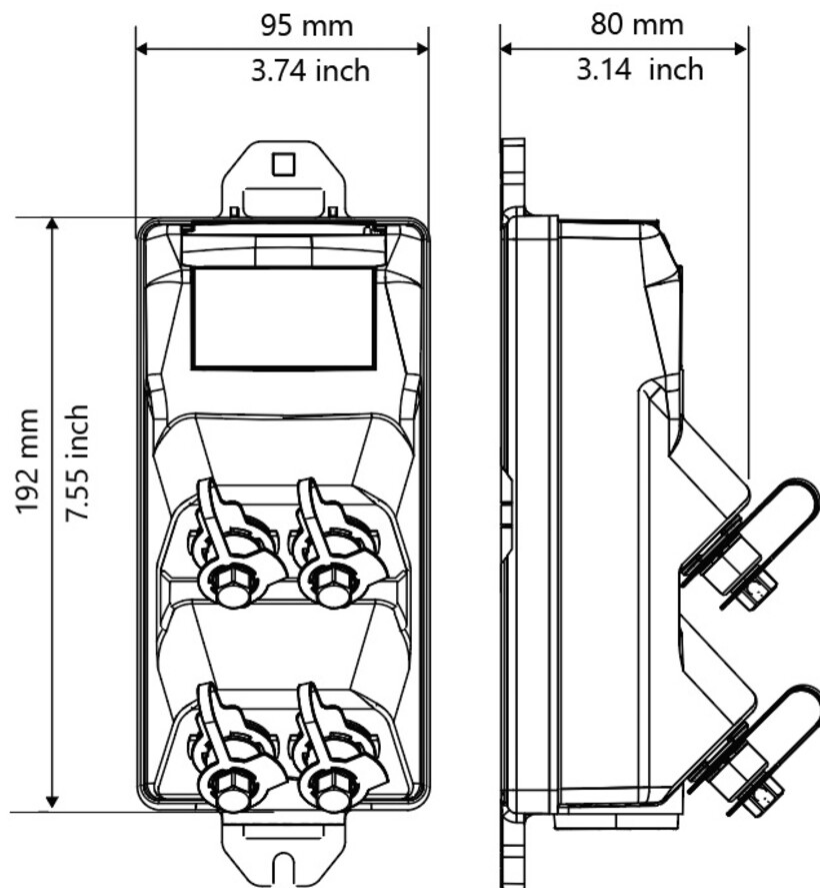
|                            |                                     |
|----------------------------|-------------------------------------|
| <b>Cable Type</b>          | Dielectric - Flat - Loose Tube      |
| <b>Cable, quantity</b>     | 1                                   |
| <b>Distribution Type</b>   | 2 ports                             |
| <b>Drop Port Type</b>      | Hardened full-size SC/APC           |
| <b>Drop Port, quantity</b> | 2                                   |
| <b>Enclosure Color</b>     | Black (RAL 9005)                    |
| <b>Mounting</b>            | Handhole   Pedestal   Pole   Strand |
| <b>Port Type</b>           | Hardened full-size SC/APC           |
| <b>Port, quantity</b>      | 2                                   |
| <b>Stub Type</b>           | Stub tail                           |

## Dimensions

# HST-B2HNA0150NU000

|                             |                                  |
|-----------------------------|----------------------------------|
| <b>Height</b>               | 80 mm   3.15 in                  |
| <b>Width</b>                | 95 mm   3.74 in                  |
| <b>Length</b>               | 192 mm   7.559 in                |
| <b>Cable Length, stub</b>   | 150 ft (45 m)                    |
| <b>Cable Outer Diameter</b> | 4.3 x 8.0 mm (0.17 x 0.31 in) in |

## Dimension Drawing



## Port Configuration

# HST-B2HNA0150NU000

| NOVUX HT   | TECHNOLOGIES AVAILABLE         | SMALL                          | MEDIUM                         | LARGE                          |                                             |
|------------|--------------------------------|--------------------------------|--------------------------------|--------------------------------|---------------------------------------------|
| HST Series | Single-fiber: P2P/no splitters | 2 ports                        | 6 ports                        | 12 ports                       |                                             |
|            |                                | 4 ports                        | 8 ports                        |                                |                                             |
|            | Single-fiber: P2P w/splitters  | 2 ports, 1x1:2                 | 8 ports, 2x1:4                 | 12 ports, 3x1:4                |                                             |
|            |                                | 4 ports, 1x1:4                 | 8 ports, 1x1:8                 |                                |                                             |
|            | Hybrid for multi-use           |                                |                                | 7 ports, 1x1:4 splitter, 3 P2P | 12 ports, 1x1:8 splitter, 4 P2P             |
|            |                                | 4 ports, 1x1:2 splitter, 2 P2P | 8 ports, 1x1:4 splitter, 4 P2P |                                | 11 ports, 2x1:4 splitter, 2 P2P, 1 HMFOC 4f |

## Ordering Tree



## Material Specifications

### Enclosure Material Type

Hardened plastic

## Optical Specifications

### Fiber Type

G.657.A1/A2

### Operating Wavelength Range

1260 – 1635 nm

### Attenuation Single Ports, maximum

0.4 dB

### Attenuation Cable Coefficient, maximum

0.30 dB/km @ 1550 nm | 0.40 dB/km @ 1310 nm

### Return Loss, Connector, typical

65 dB

# HST-B2HNA0150NU000

---

## Environmental Specifications

|                                |                                                                                   |
|--------------------------------|-----------------------------------------------------------------------------------|
| <b>Operating Temperature</b>   | -40 °C to +65 °C (-40 °F to +149 °F)                                              |
| <b>Relative Humidity</b>       | 5%–100%, condensing                                                               |
| <b>Environmental Space</b>     | Above ground   Below ground                                                       |
| <b>Qualification Standards</b> | IEC 60529, IP68 + 2 m waterhead   IEC 61753-1, category G   Telcordia GR-771-CORE |
| <b>UV Resistance</b>           | UV stabilized                                                                     |

## Packaging and Weights

|                           |                            |
|---------------------------|----------------------------|
| <b>Included</b>           | Universal mounting bracket |
| <b>Packaging quantity</b> | 1                          |
| <b>Packaging Type</b>     | Box   Coiled               |

## Regulatory Compliance/Certifications

| <b>Agency</b> | <b>Classification</b>                                                                                                          |
|---------------|--------------------------------------------------------------------------------------------------------------------------------|
| CHINA-ROHS    | Below maximum concentration value                                                                                              |
| ISO 9001:2015 | Designed, manufactured and/or distributed under this quality management system                                                 |
| REACH-SVHC    | Compliant as per SVHC revision on <a href="http://www.commscope.com/ProductCompliance">www.commscope.com/ProductCompliance</a> |
| ROHS          | Compliant                                                                                                                      |
| UK-ROHS       | Compliant                                                                                                                      |

