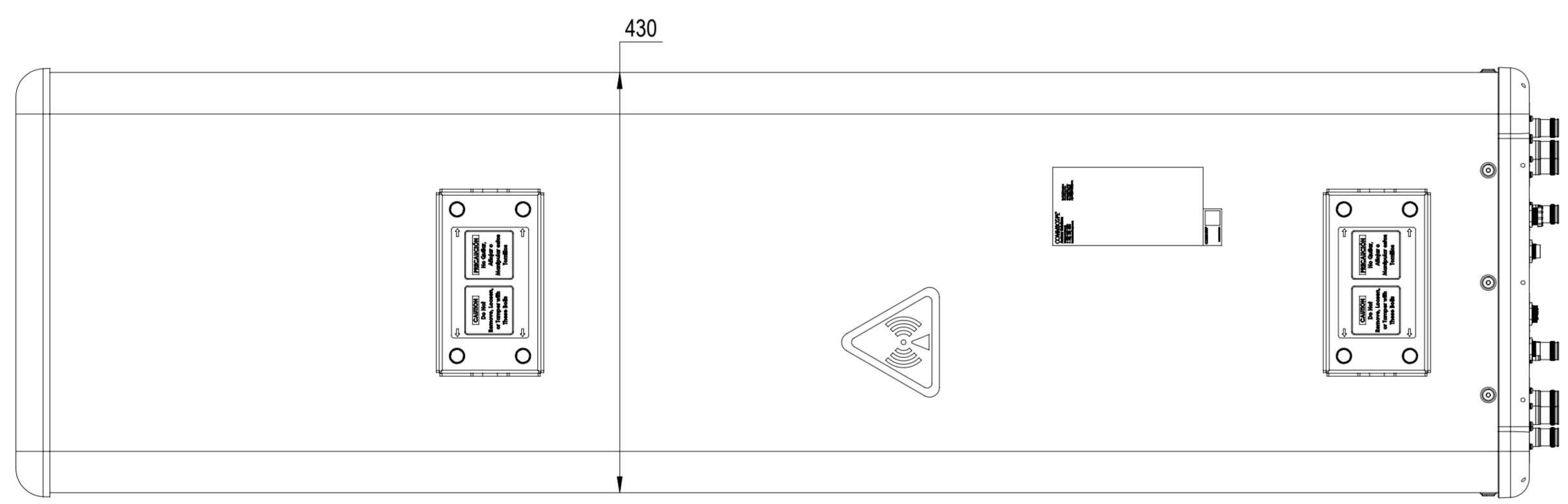
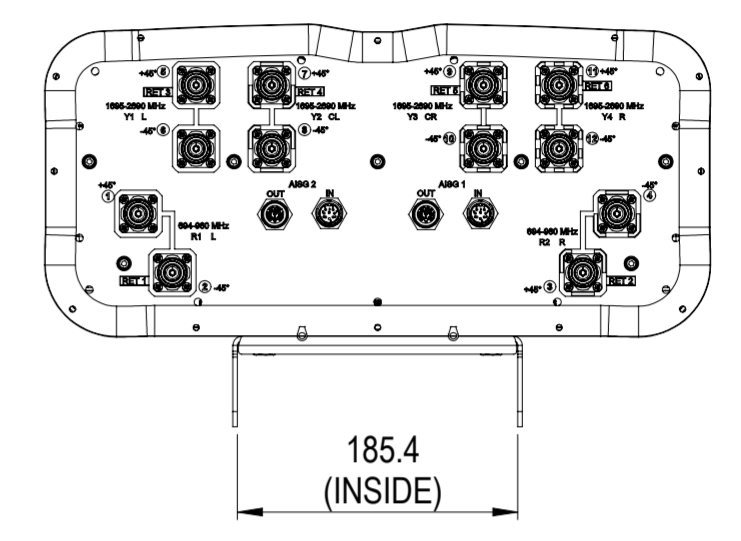
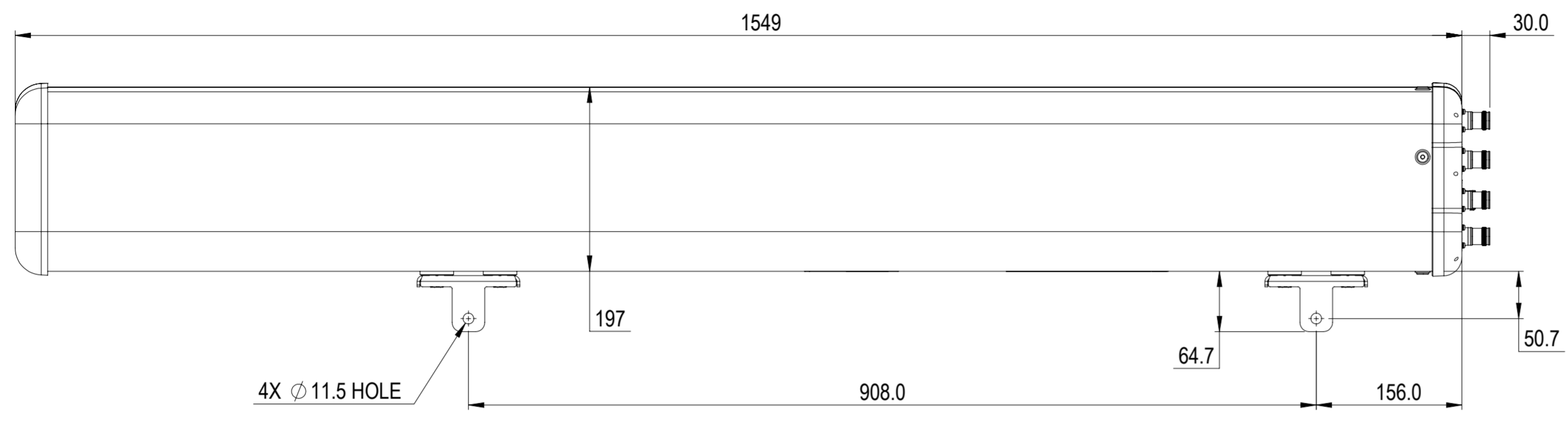


REVISIONS			
REV.	DESCRIPTION	DATE	APPROVED
A	ECR 12062PC: RELEASE TO PRODUCTION PER EAO 607071.	26AUG21 LS	WRQ/XKK



RRV4-65A-R6N43

COMMSCOPE, INC. OF NORTH CAROLINA

TOLERANCES		SAP MATERIAL MASTER	
0 PLACE	X ±	2 PLACE	.XX ±
1 PLACE	.X ±	ANGLES	±
FINISH		MATERIAL	
UNLESS OTHERWISE SPECIFIED DIMENSIONS ARE IN MILLIMETERS INTERPRET PER ISO STANDARDS HANDBOOK TECHNICAL DRAWINGS VOLUMES 1 & 2, THIRD EDITION (2002)	NAME	DATE	TITLE
	CE	SL1039	06/01/2021
	RW		PRODUCT DRAWING
	AD		
	RE		
ECN		SCALE	DOCUMENT NO.
		1:5	RRV4-65A-R6N43-L
SIZE	Auth Group	MODEL	DRAWING
A2		VERSION	STATUS
		REVISION	VERSION
			STATUS
			REVISION
			SHEET
			1 OF 1

DENSITY	g/mm ³
MASS	grams
VOLUME	mm ³
SURFACE AREA	mm ²