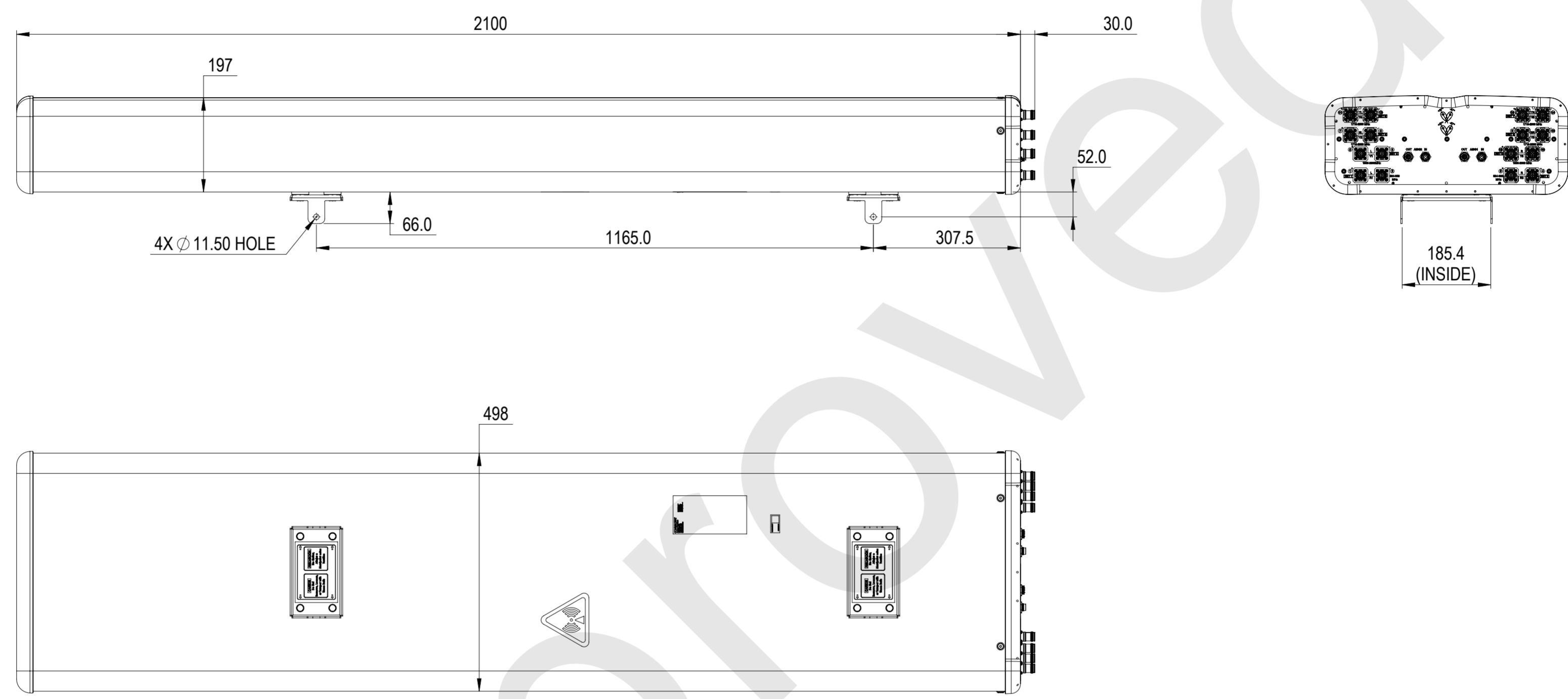


REVISIONS			
REV.	DESCRIPTION	DATE	APPROVED
A	ECR 14187: RELEASE TO PRODUCTION PER EAO 609768.	30JUL21 PN	MB/UG



RRVV2VV-6533B-R8

COMMSCOPE, INC. OF NORTH CAROLINA

TOLERANCES		SAP MATERIAL MASTER	
0 PLACE X ±	2 PLACE .XX ±		
1 PLACE .X ±	ANGLES ±		
FINISH		MATERIAL	
<small>UNLESS OTHERWISE SPECIFIED DIMENSIONS ARE IN MILLIMETERS INTERPRET PER ISO STANDARDS HANDBOOK TECHNICAL DRAWINGS VOLUMES 1 & 2, THIRD EDITION (2002)</small>		NAME	DATE
		CE NPHATAK	07/30/2021
		RW NPHATAK	07/30/2021
		AD MB1140	08/04/2021
		RE RK1070	07/29/2021
ECN 14187PC		SCALE	DOCUMENT NO.
		1:8	RRVV2VV-6533B-R8-L
SIZE	Auth Group	BSA	MODEL
A2			VERSION STATUS REVISION
			00 RE A
			VERSION STATUS REVISION
			00 AD
			SHEET
			1 OF 1