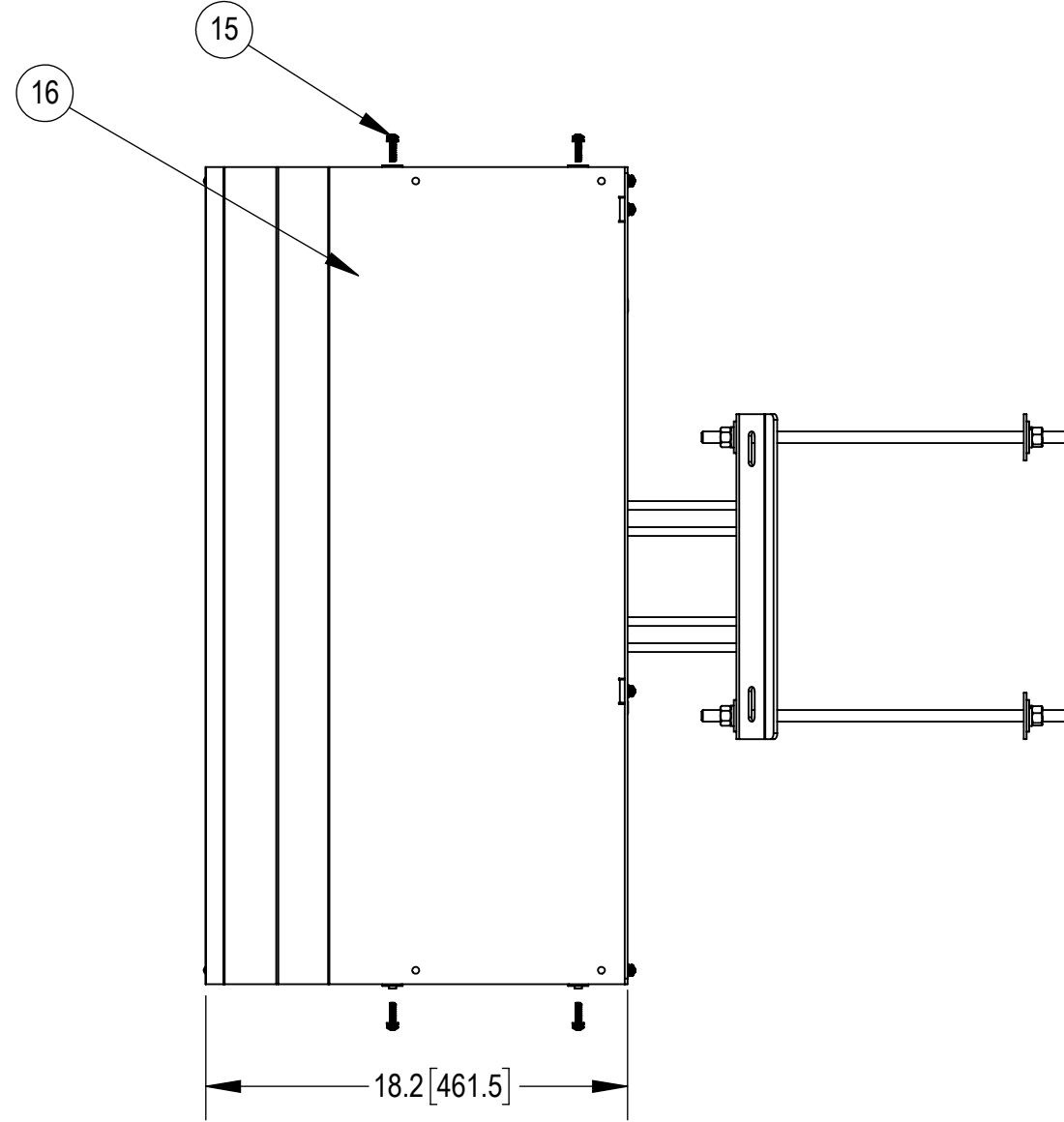
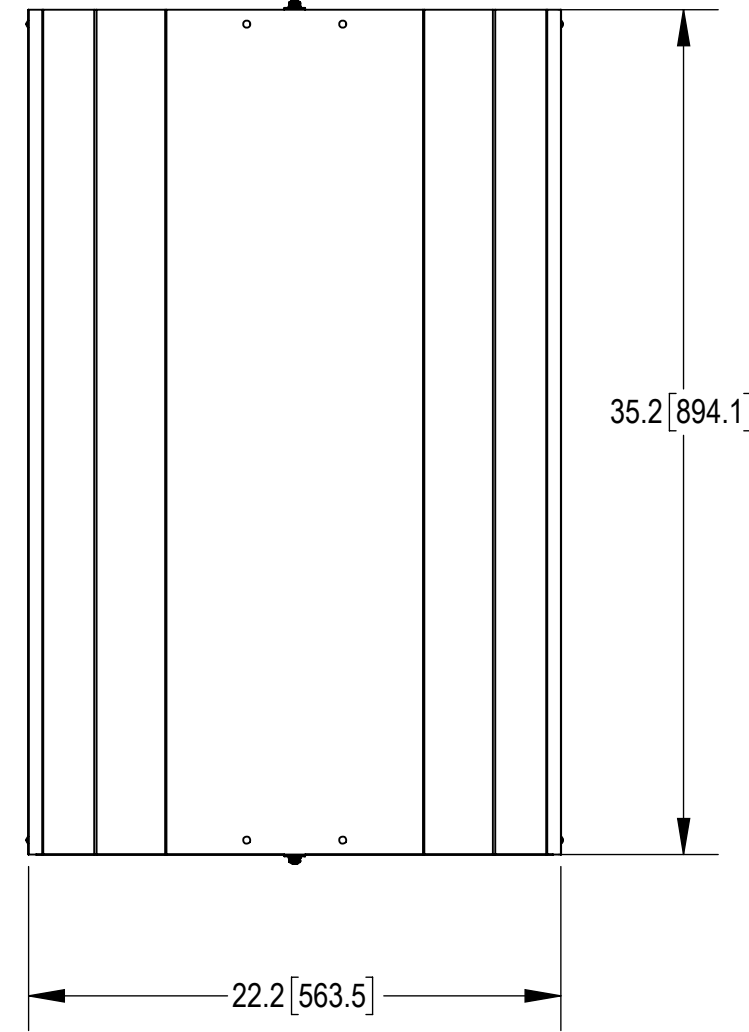
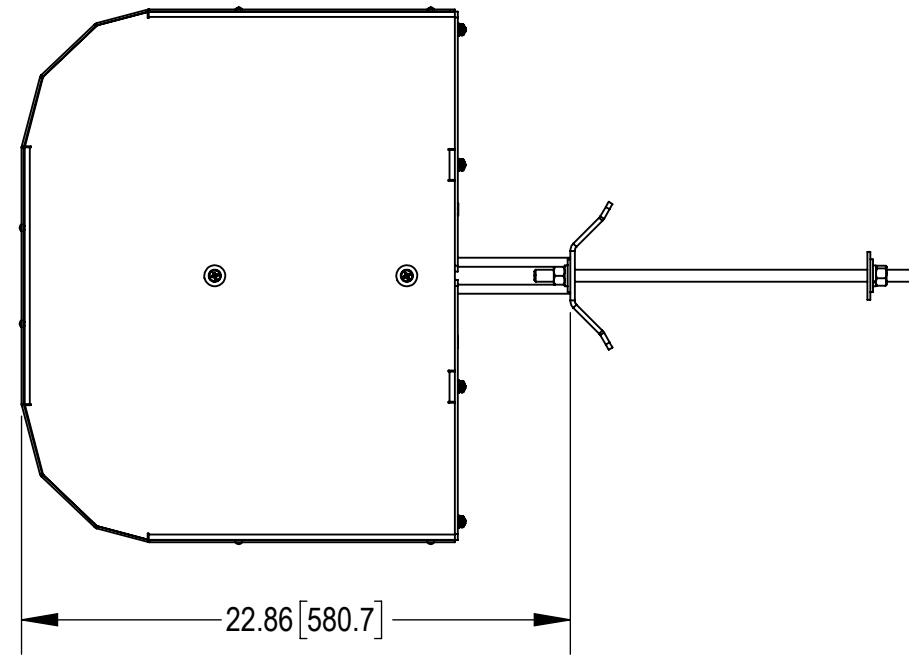


- 1. GENERAL NOTES
- 2. DESIGN NOTES
- 3. MANUFACTURING/SPECIAL REQUIREMENTS
 - 3.1 TORQUE HARDWARE ACCORDING TO SIZE AS NOTED BELOW.
 - > M5: TORQUE 23.0 IN-LB OR 2.6 N-M
 - > M6: TORQUE 40.0 IN-LB OR 4.5 N-M (W/ CLIP NUT)
 - > M6: TORQUE 75.0 IN-LB OR 8.5 N-M (W/ PEM NUT)
 - > M8: TORQUE 6.6 FT-LB OR 9.0 N-M
- 4. TEST
- 5. PACKAGING
 - 5.1 TO BE PACKAGED PER IS-PL-3005 REQUIREMENTS

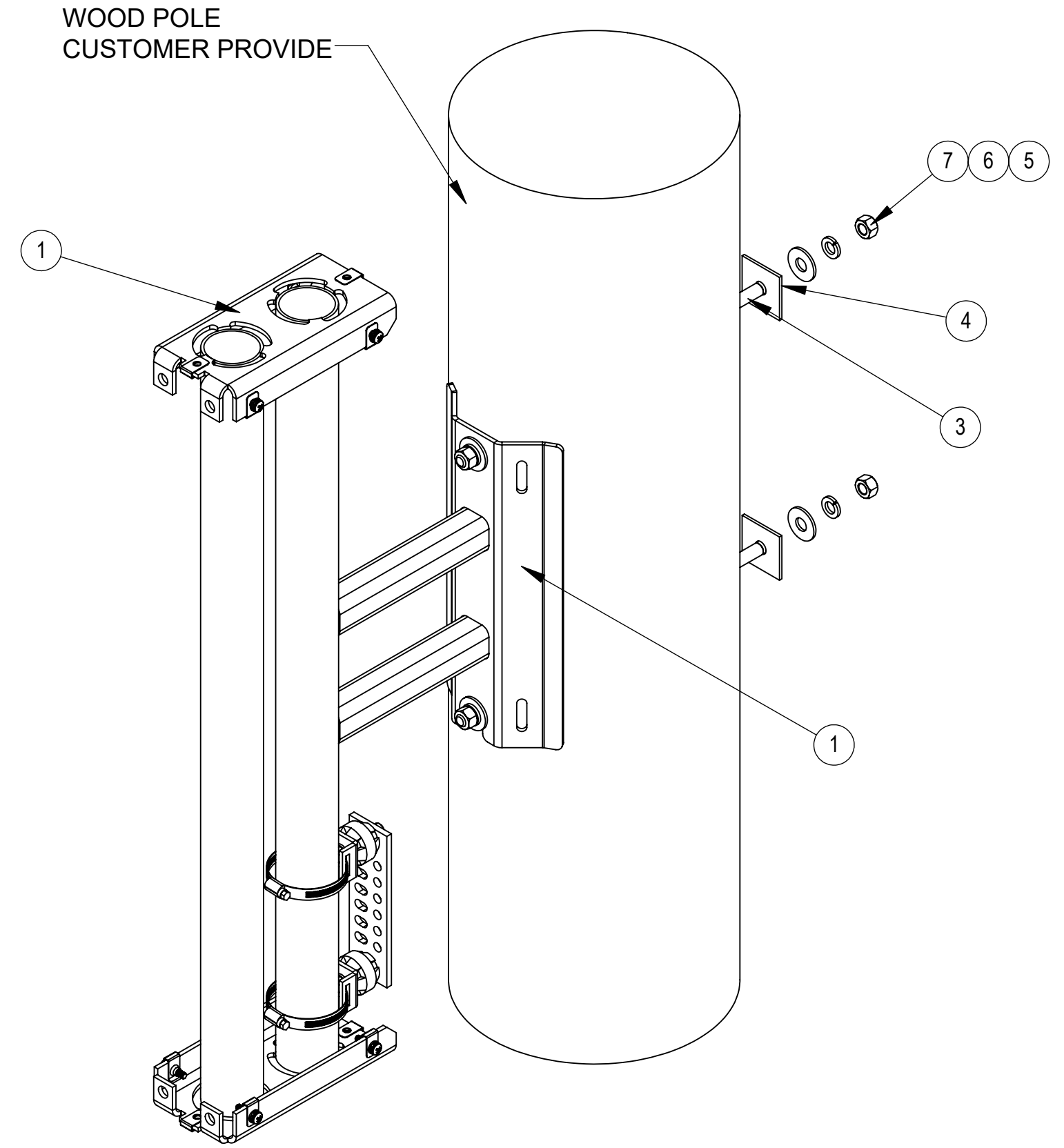
REVISIONS				
REV.	ECN	DESCRIPTION	BY	DATE
A	40140677CMO	INITIAL RELEASE	DM1121	12/21/2021
B	40146841CMO	UPDATE INSTALLATION METHOD	DM1121	4/19/2022



THE SHROUD WILL BE INSTALLED AFTER RADIOS INSTALL USING 4X CLIP NUTS AND 4X M6 SCREWS

BOM IS FOR REFERENCE ONLY. SEPARATELY SUPPLIED SAP BOM CONTROLS CONTENT

ITEM NO.	PART NUMBER	DESCRIPTION	INSTALL/QTY.
1	MTC38880135	WLDMNT, RRU SMALL CELL,35"	1
2	MTM1152-1000	RADIO MOUNT BRACKET ASSY	2
3	MT37916	1/2" X 16" GALV THREADED ROD	2
4	SW-12	BACKING PLATE, .125" X 2" X 2" W/ 9/16" HOLE	2
5	GWF-04	1/2" GALV FLAT WASHER	4
6	GWL-04	1/2" GALV LOCK WASHER	8
7	GN-04	1/2" GALV HEX NUT	4
8	MTC9415	M8 X 25mm HEX BOLT SS	8
9	MTC9418	M8 LOCK WASHER SS	8
10	MTC9419	M8 FLAT WASHER SS	8
11	100534-356	SCR,HCS,HEX,M5X12,SST,PASS	8
12	100522-19	WSHR,LK,SPLT, M5,SST, PASS	8
13	100521-19	WSHR,FLAT,M5,5.3X10X1,SST,PASS	8
14	460143456	CLIP NUT, M6, 316 SST	8
15	100117-4	FA,SEMS,PH,XRES,M6X25,SST,PASS	8
16	MTM1133-2000-04	WPB,NOK,DUAL-BND,TRI-BND,SHROUDED	1



INSTALL ITEM 1 (WELDMNT SMALL CELL 35") TO WOOD POLE, USING 2X BACKING PLATE, 2X 1/2" THREADED ROD, 4X 1/2" HEX NUT, FLAT WASHER & LOCK WASHER.

DENSITY	0.02	lbs/in ³
MASS	87.65	lbs
VOLUME	4927.28	in ³
SURFACE AREA	29147	in ²
HEIGHT	35.2	
LENGTH	37.3	
WIDTH	22.2	

COMMSCOPE, INC. OF NORTH CAROLINA

TOLERANCES
 1 PLACE .X± 0.12 3 PLACE .XXX± 0.06
 2 PLACE .XX± 0.03 ANGLES ± 2

SAP MATERIAL MASTER

FINISH: SEE BOM MATERIAL: SEE BOM

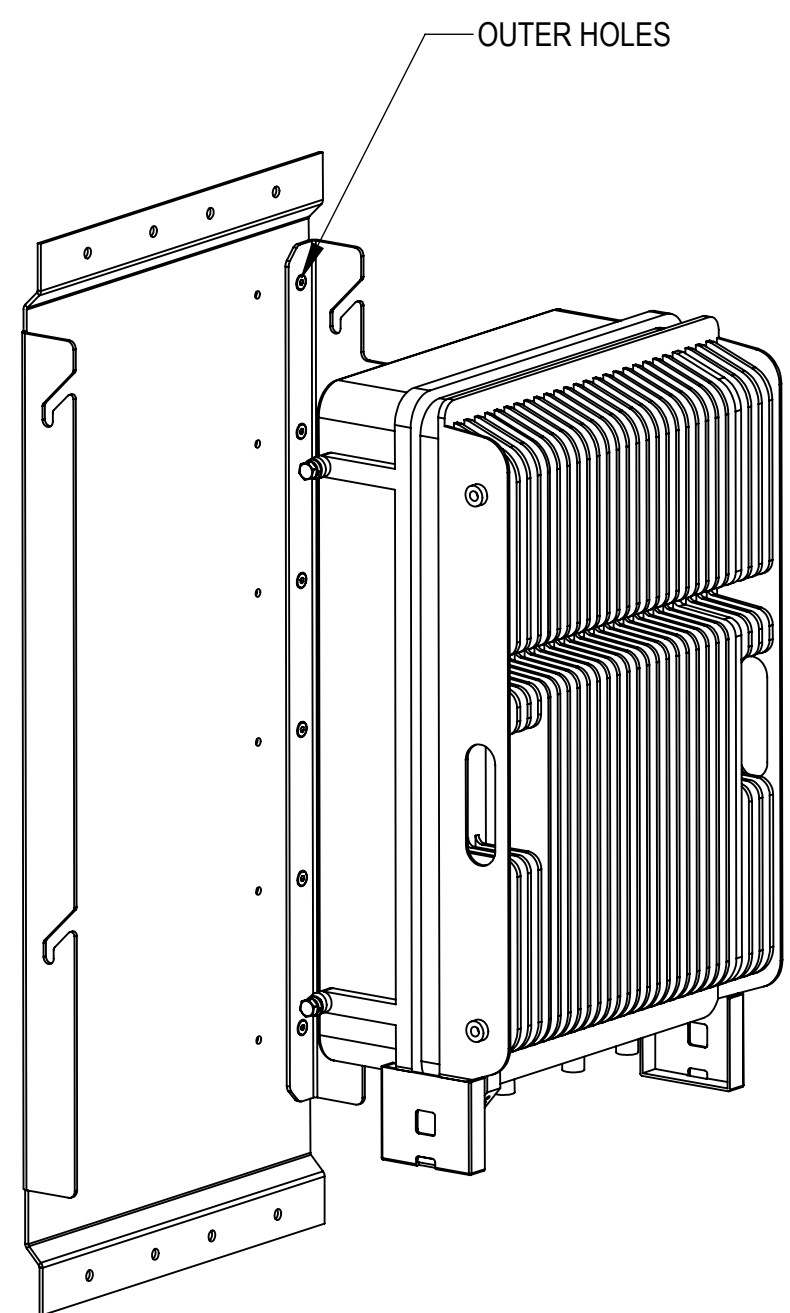
NAME	DATE	TITLE
CE DM1121	12/26/2021	INSTRUCTION,NOK,DUAL-BND,TRI-BND,SHROUD
RW DM1121	01/21/2022	
AD LL1090	01/25/2022	
RE YC1015	01/25/2022	
ECN 40146841CMO		

SCALE: **1:8** DOCUMENT NO. **760235296 INSTALL**

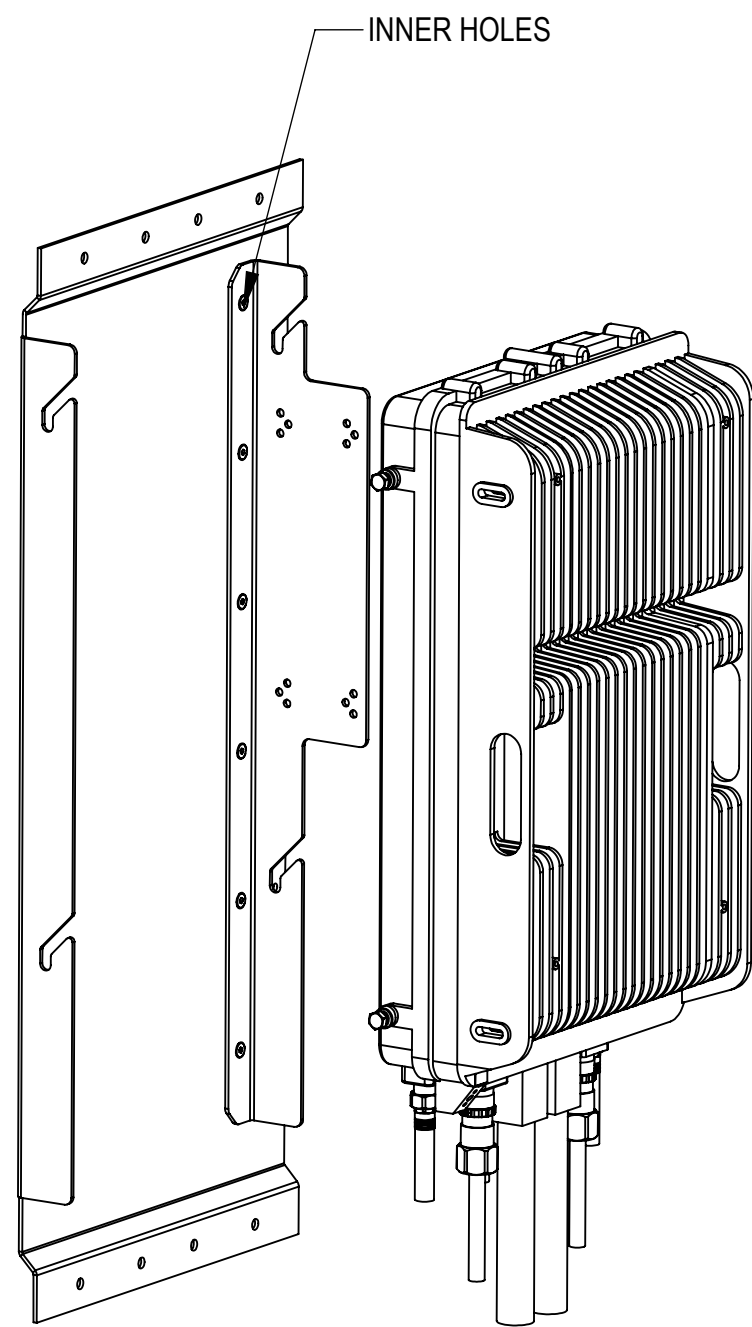
SIZE	Auth Group	INSL	MODEL	DRAWING			SHEET	
C	⊕	◁	VERSION	STATUS	REVISION	VERSION	STATUS	REVISION
			00	RE	A	01	IW	

1 OF 5

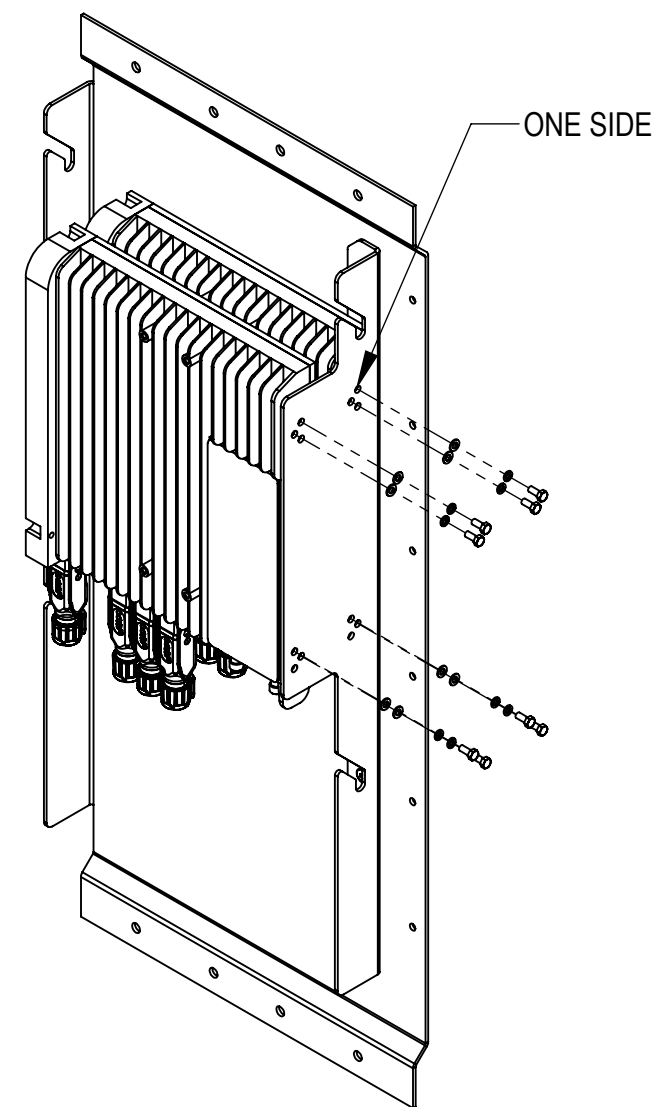
BRACKET INSTALLATION METHOD



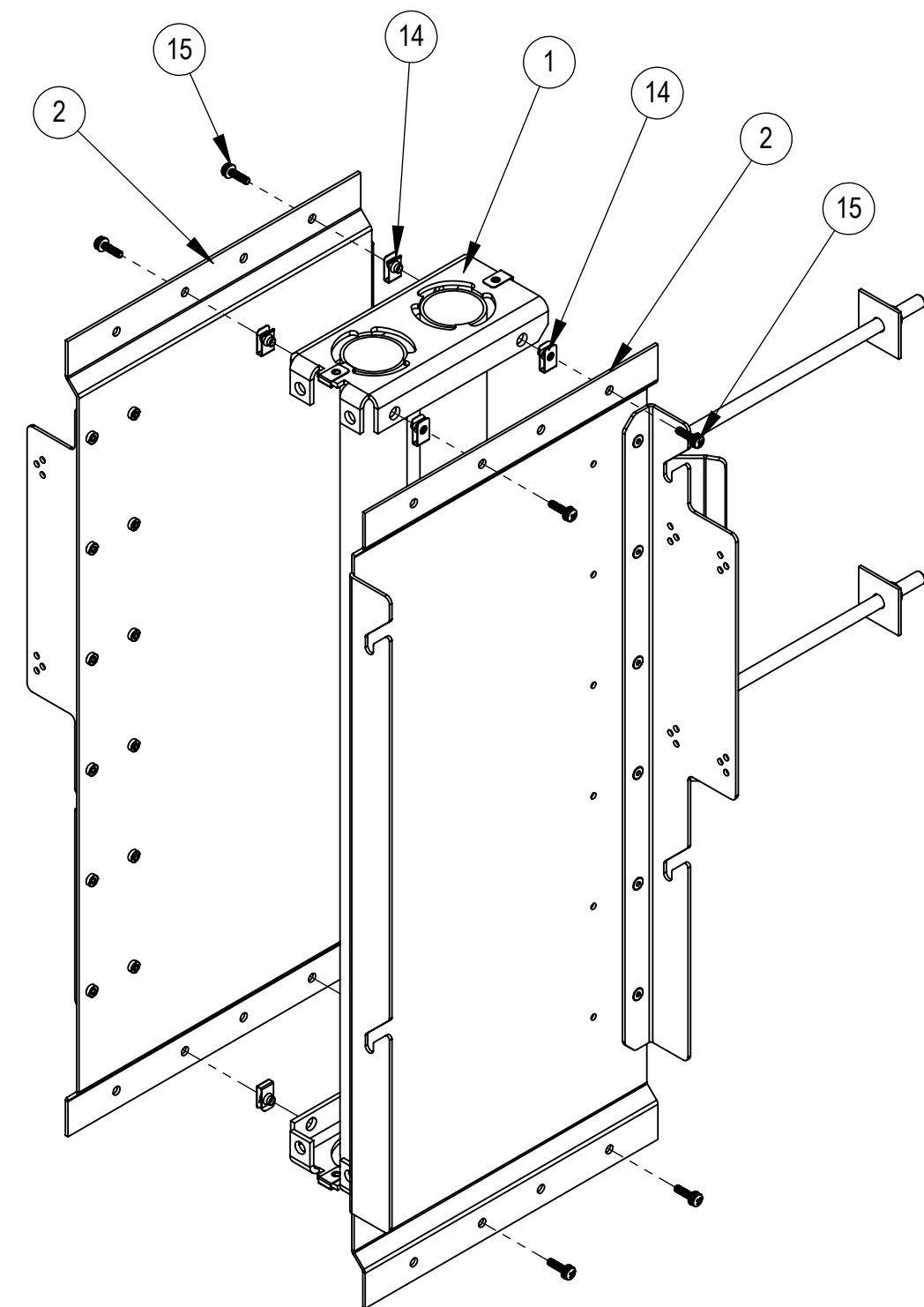
AHLBBA USE THE OUTER HOLES,
THEN QUICKLY INSATALL ON BOTH SIDES



AHFIA OR AHFIB OR AHLBA USE THE INNER HOLES,
THEN QUICKLY INSATALL ON BOTH SIDES



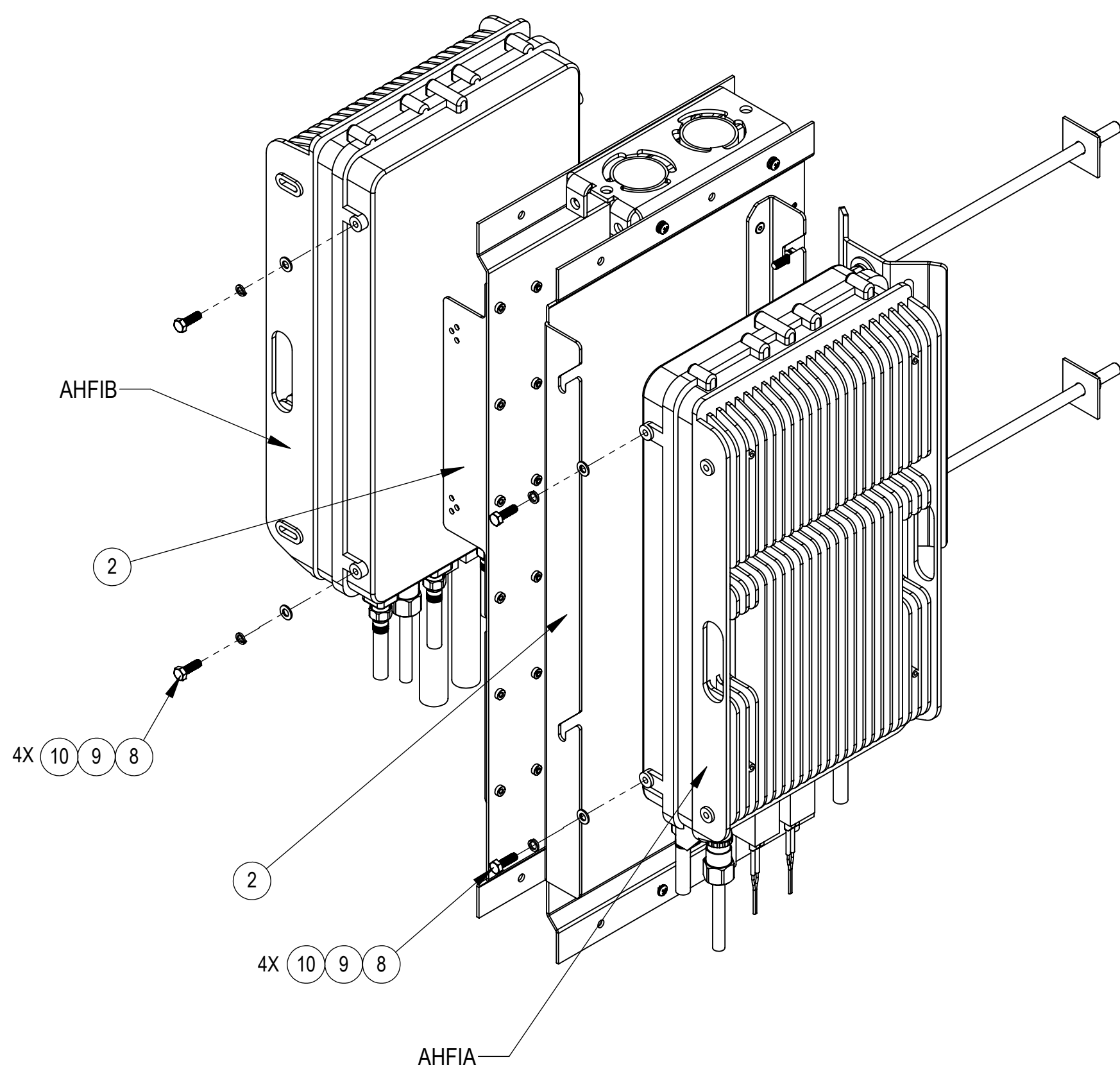
2X AZRB ONLY INSTALL ON ONE SIDE



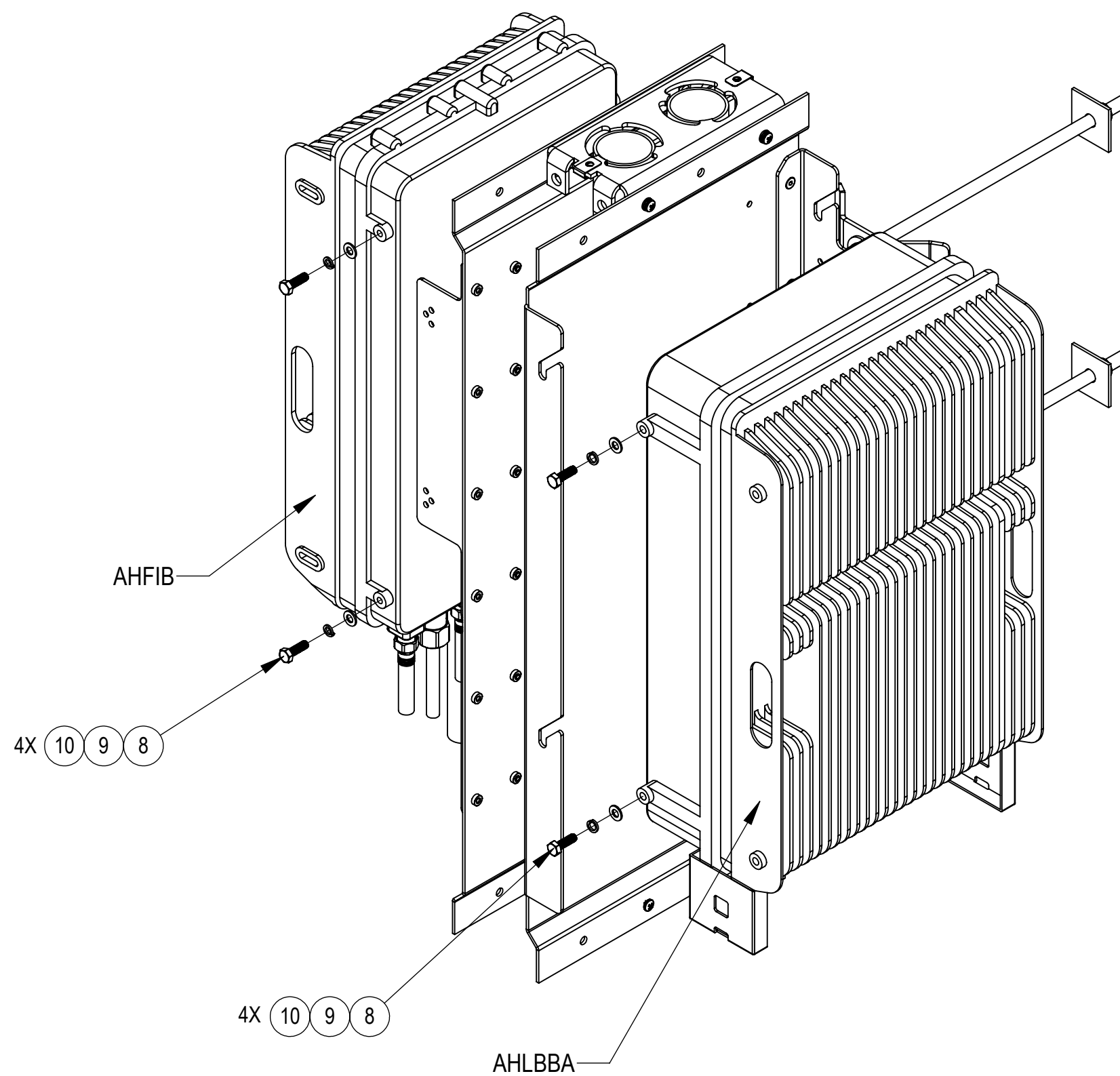
INSTALL BRACKETS TO ITEM 1(WLDMNT, RRU SMALL CELL)
IN DIFFERENT METHOD ACCORDING TO DIFFERENT RUs.
USING 8X CLIP NUTS AND 8X M6 SCREWS

COMMScope, INC. OF NORTH CAROLINA				
TITLE INSTRUCTION,NOK,DUAL-BND,TRI-BND,SHROUD				
SIZE C	SCALE 1:8	DOCUMENT NO. 760235296 INSTALL		
		DRAWING		SHEET
		VERSION	STATUS	REVISION
		01	IW	
				SHEET 2 OF 5


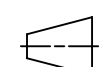
RRU MOUNTING



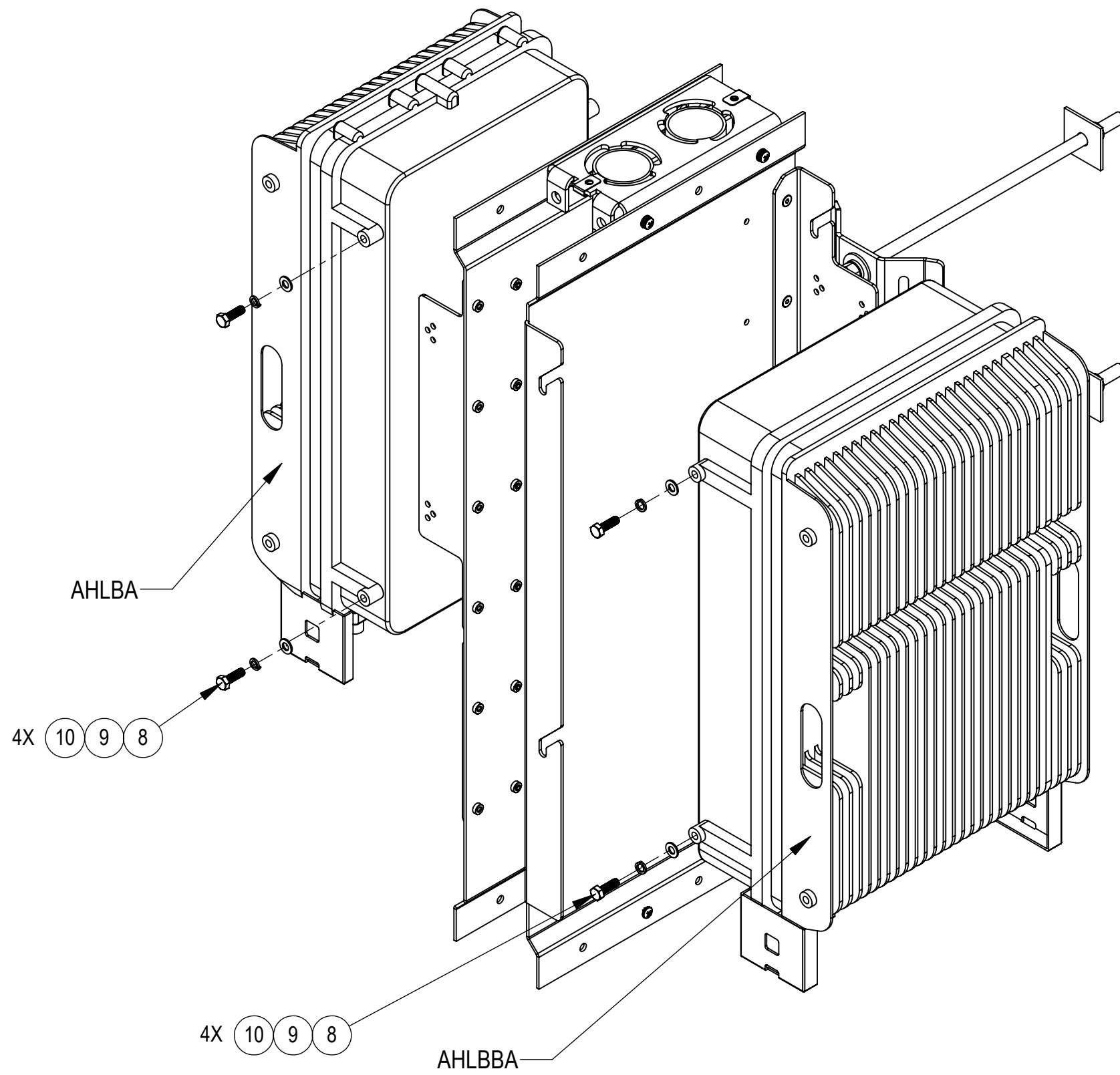
CONFIG 1
 INSTALL RADIO AHFIA AND AHFIB TO THE BRACKETS
 USING 8X M8 SCREWS, LOCK WASHERS AND FLAT WASHERS



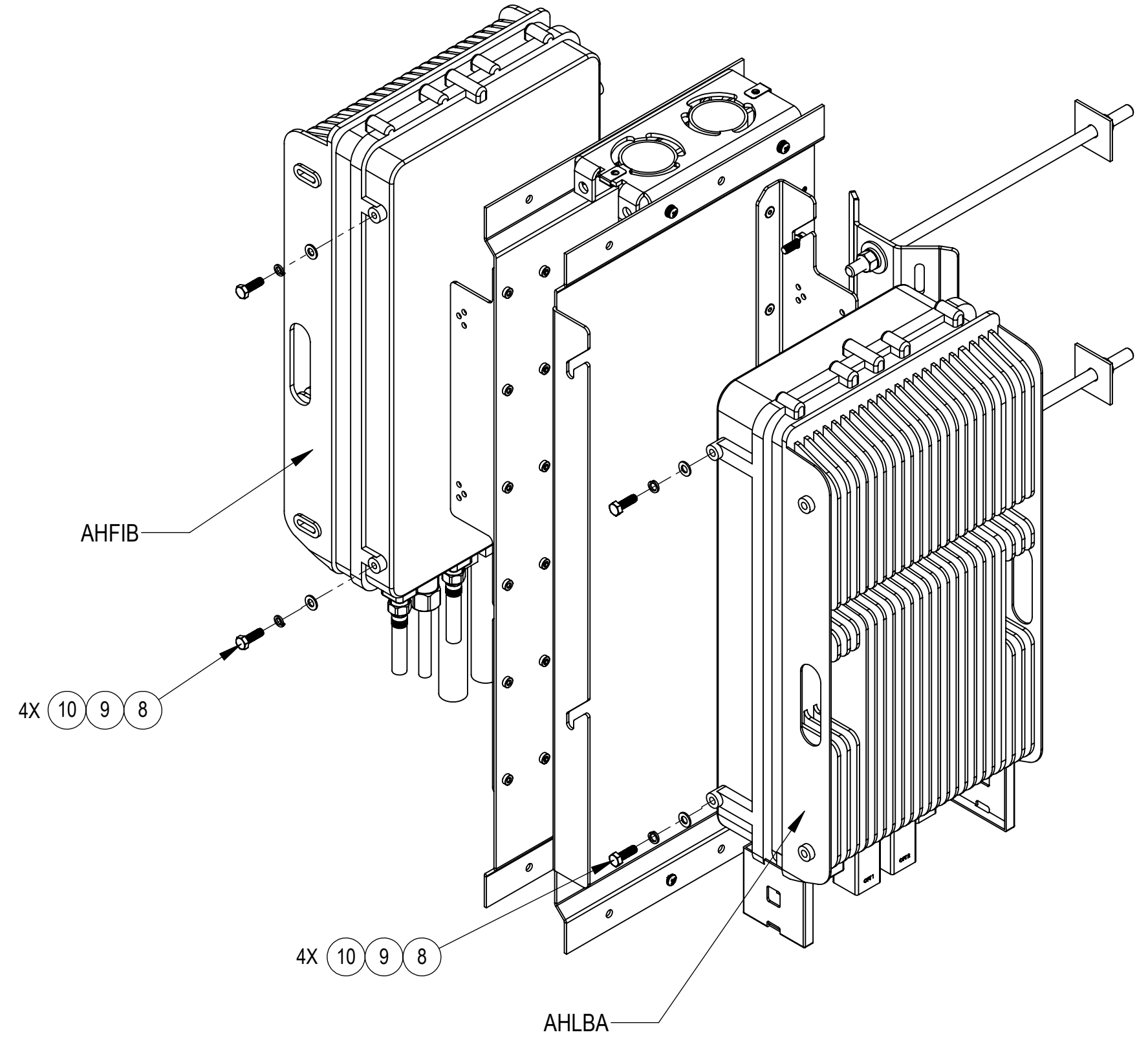
CONFIG 2
 INSTALL RADIO AHFIB AND AHLBBA TO THE BRACKETS
 USING 8X M8 SCREWS, LOCK WASHERS AND FLAT WASHERS

COMMSCOPE, INC. OF NORTH CAROLINA				
TITLE INSTRUCTION,NOK,DUAL-BND,TRI-BND,SHROUD				
SIZE C	SCALE 1:12	DOCUMENT NO. 760235296 INSTALL		
 		DRAWING		SHEET 3 OF 5
		VERSION 01	STATUS IW	

RRU MOUNTING



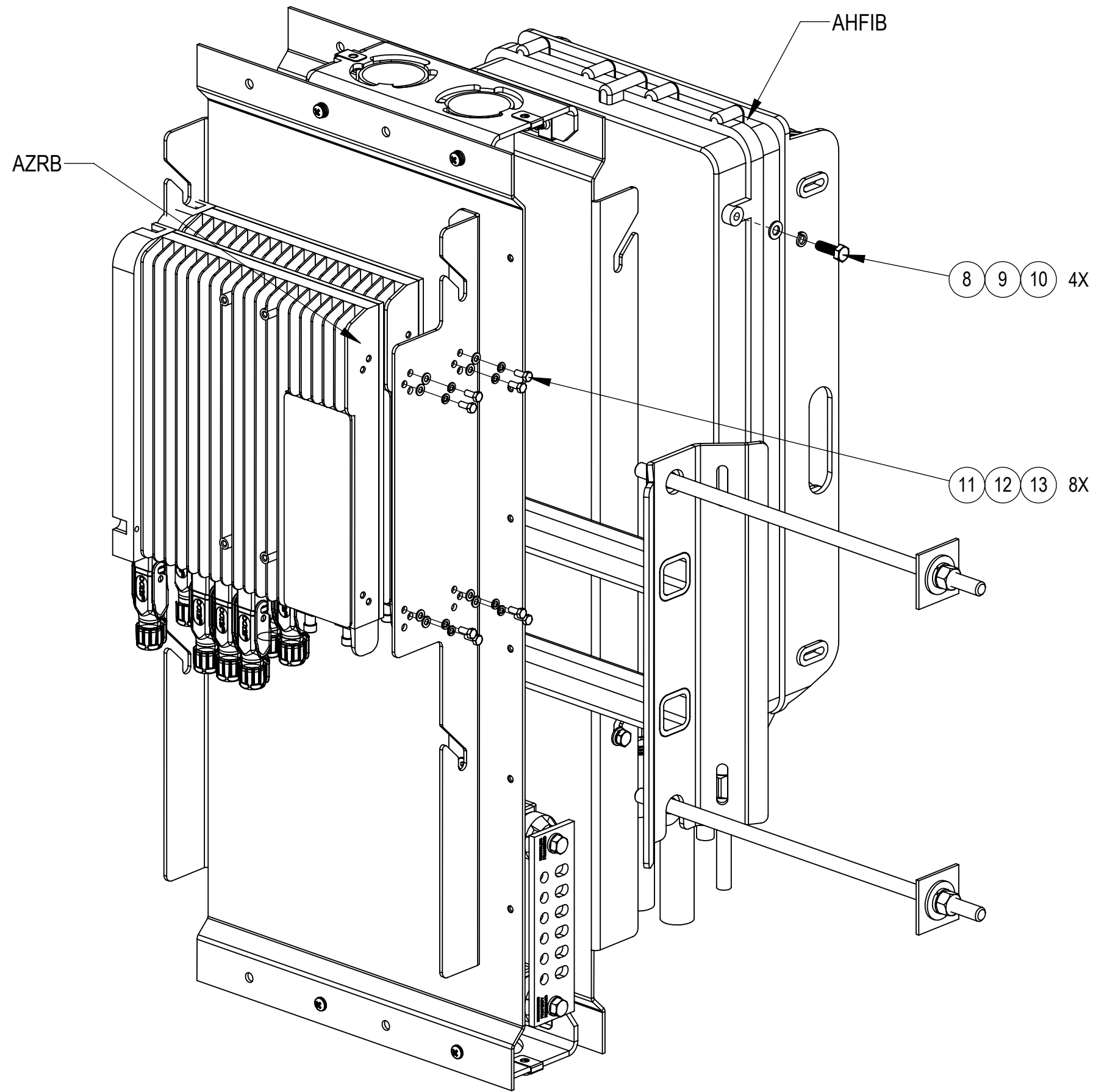
CONFIG 3
 INSTALL RADIO AHLBA AND AHLBBA TO THE BRACKETS
 USING 8X M8 SCREWS, LOCK WASHERS AND FLAT WASHERS



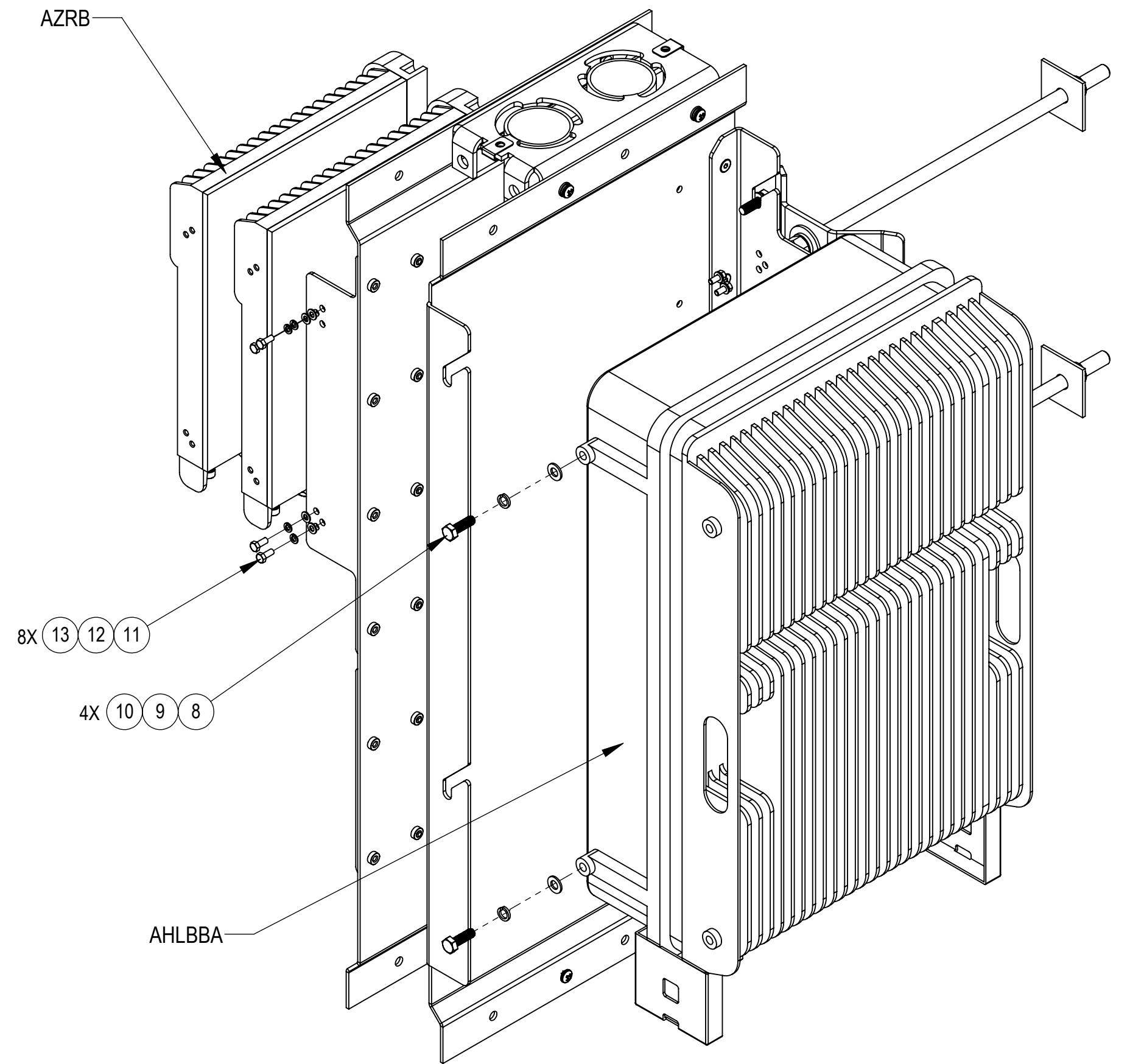
CONFIG 4
 INSTALL RADIO AHFIB AND AHLBA TO THE BRACKETS
 USING 8X M8 SCREWS, LOCK WASHERS AND FLAT WASHERS

COMMSCOPE, INC. OF NORTH CAROLINA				
TITLE INSTRUCTION,NOK,DUAL-BND,TRI-BND,SHROUD				
SIZE C	SCALE 1:12	DOCUMENT NO. 760235296 INSTALL		
		DRAWING		SHEET 4 OF 5
		VERSION 01	STATUS IW	

RRU MOUNTING



CONFIG 5
 INSTALL RADIO AHFIB USING 4X M8 SCREWS, LOCK WASHERS AND FLAT WASHERS
 INSTALL PSU 2x AZRB USING 8X M5 SCREWS, LOCK WASHERS AND FLAT WASHERS



CONFIG 6
 INSTALL RADIO AHLBBA USING 4X M8 SCREWS, LOCK WASHERS AND FLAT WASHERS
 INSTALL PSU 2x AZRB USING 8X M5 SCREWS, LOCK WASHERS AND FLAT WASHERS

COMMSCOPE, INC. OF NORTH CAROLINA				
TITLE INSTRUCTION,NOK,DUAL-BND,TRI-BND,SHROUD				
SIZE C	SCALE 1:8	DOCUMENT NO. 760235296 INSTALL		
		DRAWING		SHEET
		VERSION	STATUS	REVISION
		01	IW	
				SHEET 5 OF 5