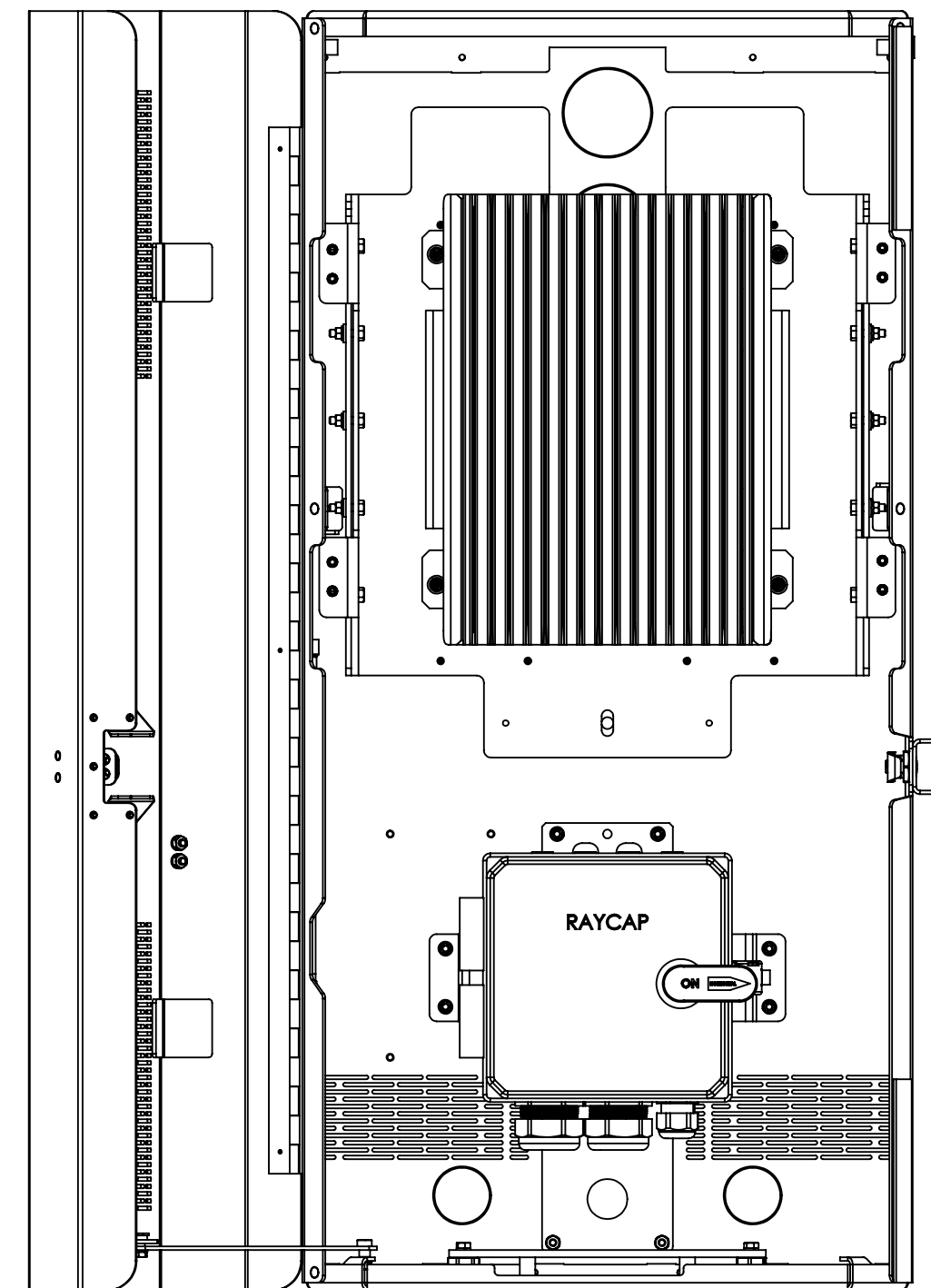
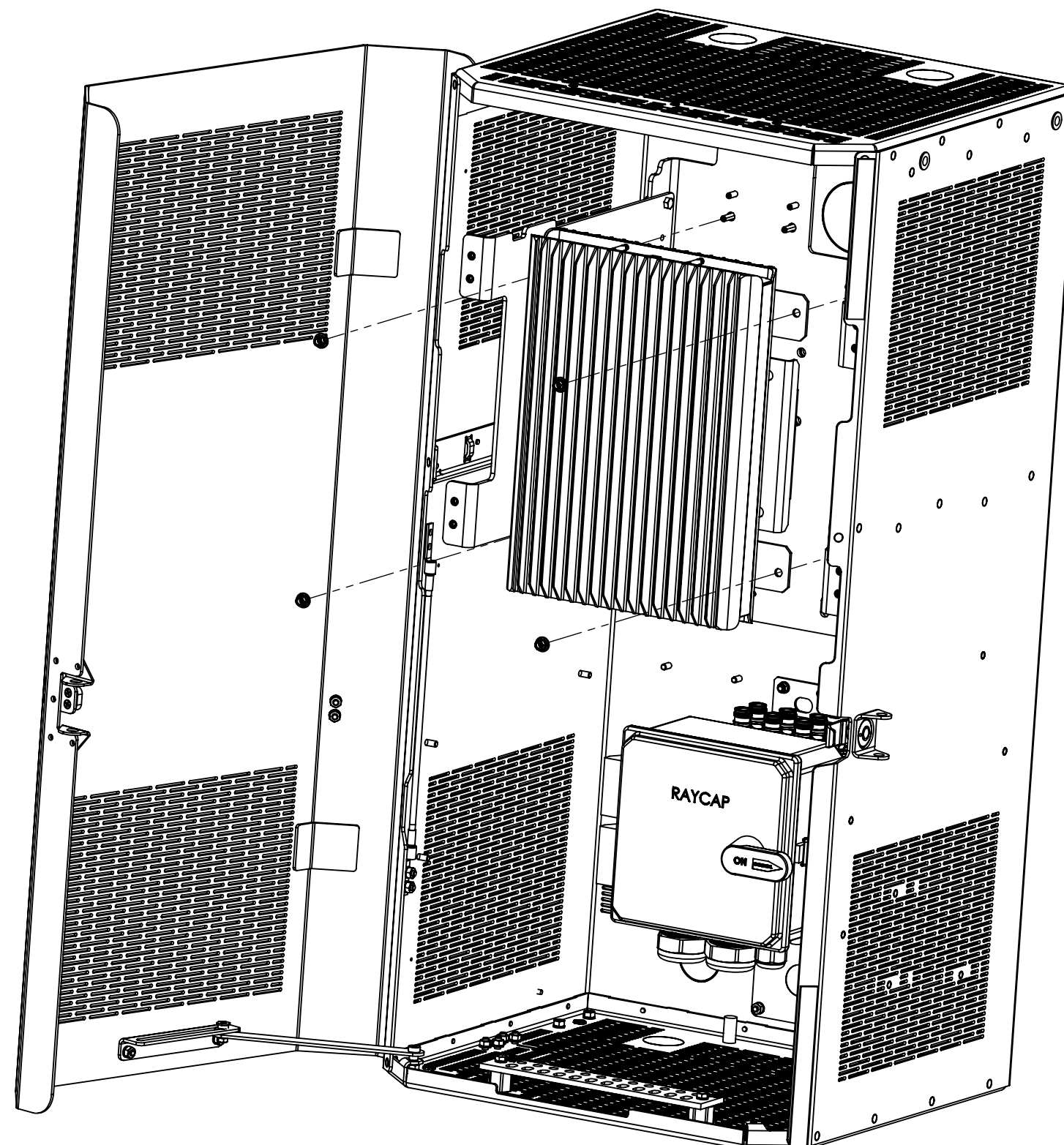
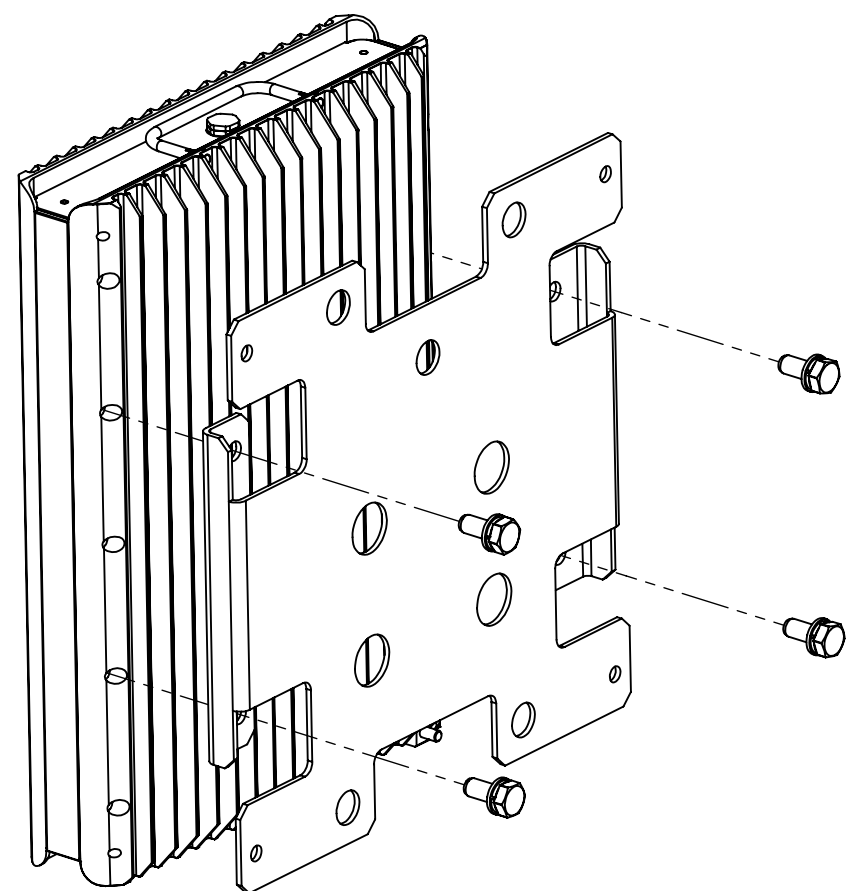
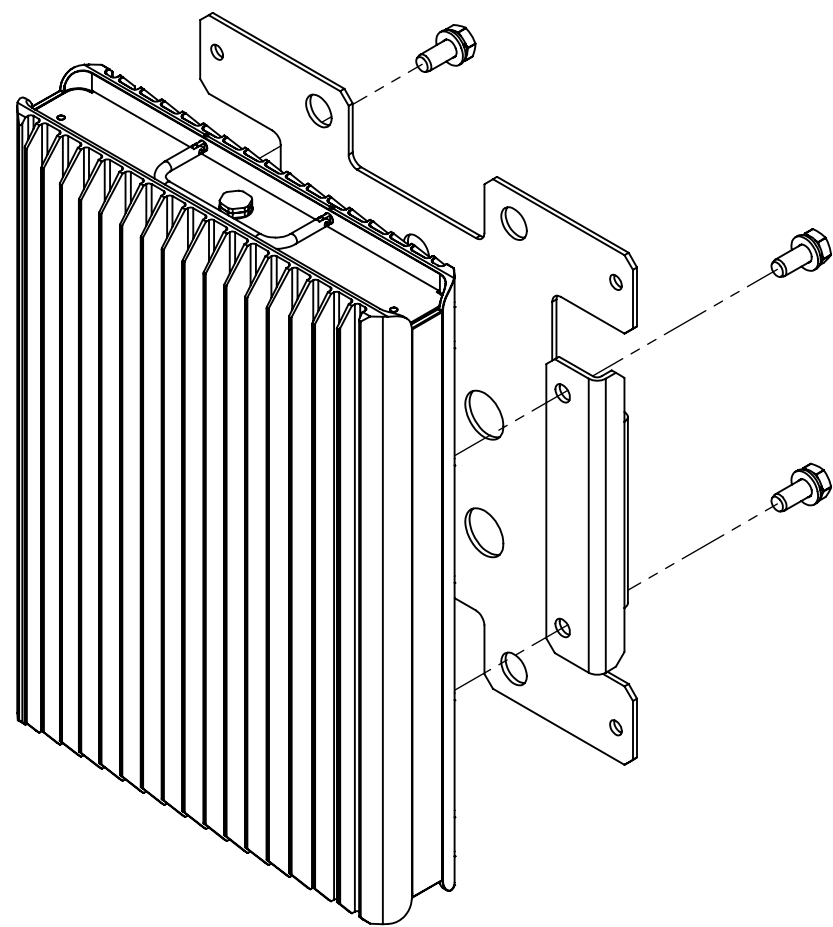


REVISIONS				
REV.	ECN	DESCRIPTION	BY	DATE
A	8000039943	INITIAL RELEASE	JP1130	03/16/2020
B	8000044064	UPDATED VIEWS FOR NEW RADIO AND RECTIFIER CONFIGURATIONS	JP1130	12/10/2020



DELTA RECTIFIER INSTALLATION

- 1) INSTALL THE RECTIFIER TO THE BRACKET USING 4 SETS OF M10 HW, PROVIDED IN THE HW KIT
- 2) INSTALL THE RECTIFIER SUB-ASSEMBLY TO THE ENCLOSURE USING 4 SETS OF 1/4" NUTS, LOCK AND FLAT WASHERS

DENSITY		lbs/in ³
MASS	132.23	lbs
VOLUME	1983.60	in ³
SURFACE AREA	19258.88	in ²
HEIGHT		
LENGTH		
WIDTH		

COMMSCOPE, INC. OF NORTH CAROLINA												
TOLERANCES						SAP MATERIAL MASTER						
1 PLACE .X ± N/A			3 PLACE .XXX ± N/A			760237600S1INSTALL						
2 PLACE .XX ± N/A			ANGLES ± N/A									
FINISH SEE NOTES						MATERIAL SEE BOM						
UNLESS OTHERWISE SPECIFIED DIMENSIONS ARE IN INCHES INTERPRET PER ANSI Y 14.5M-1994												
		NAME		DATE		TITLE						
		CE JP1130		03/16/2020		760237600S1 INSTALL						
		RW JP1130		12/11/2020								
		RV										
		AD GR1010		12/11/2020								
		RE JP1130		12/11/2020		SCALE		DOCUMENT NO.				
		ECN 8000044064				1:4		760237600S1 INSTALL				
SIZE		WORK AREA		INSL		MODEL			DRAWING			SHEET
C		⊕		∠		VERSION	STATUS	REVISION	VERSION	STATUS	REVISION	1 OF 4
						01	RE	B	01	RE	B	

4

3

2

1

D

D

C

C

B

B

A

A

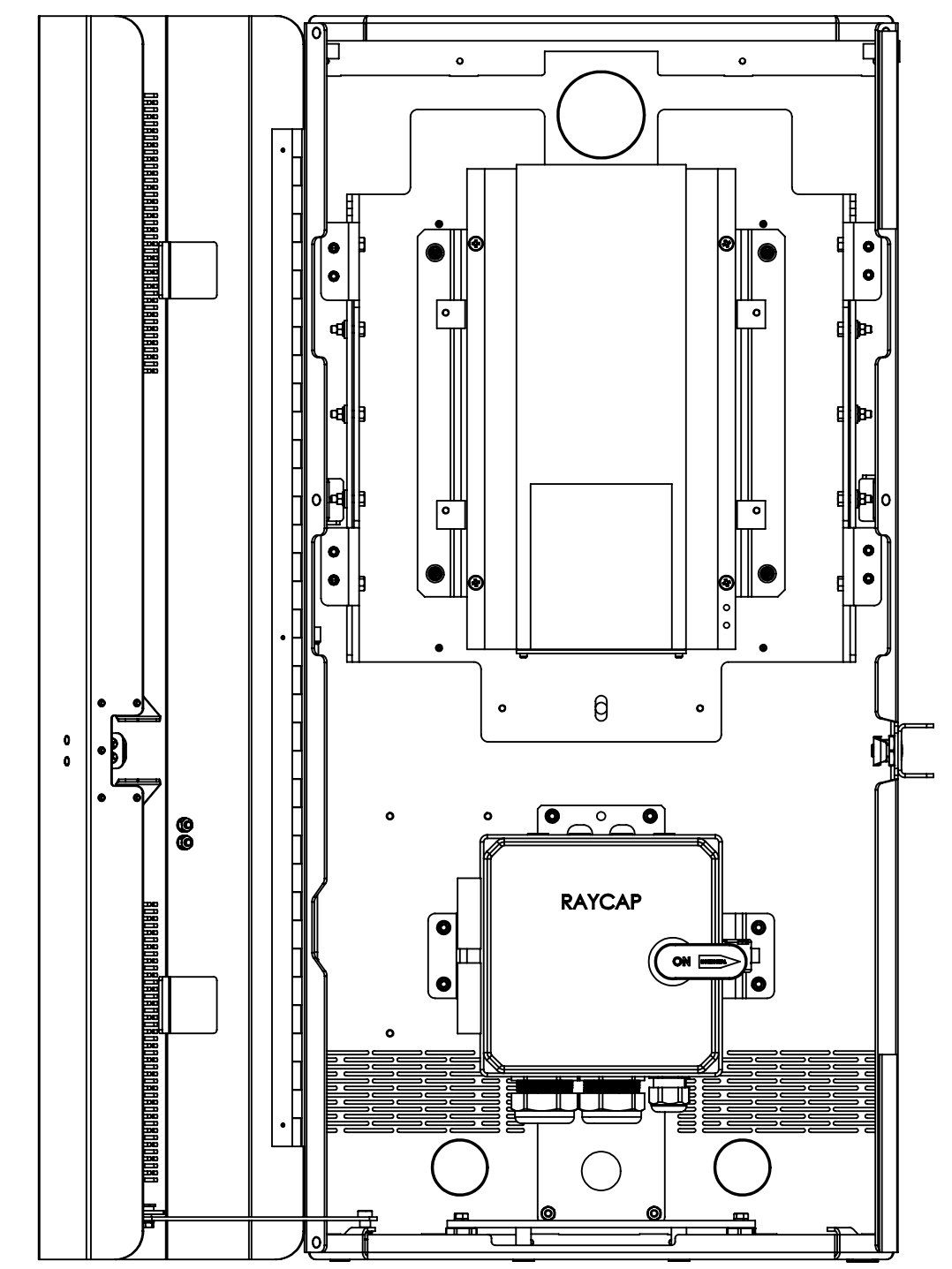
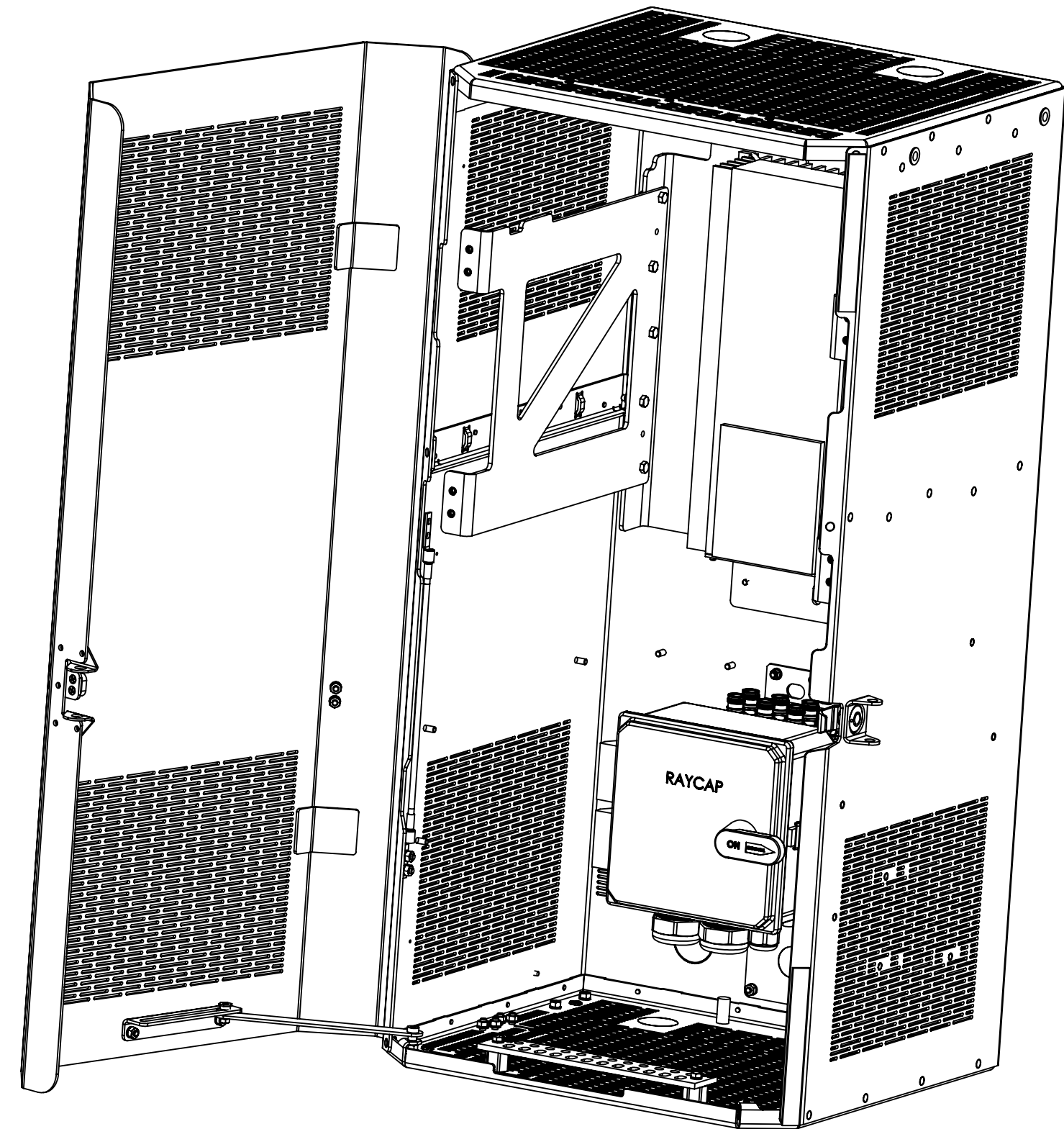
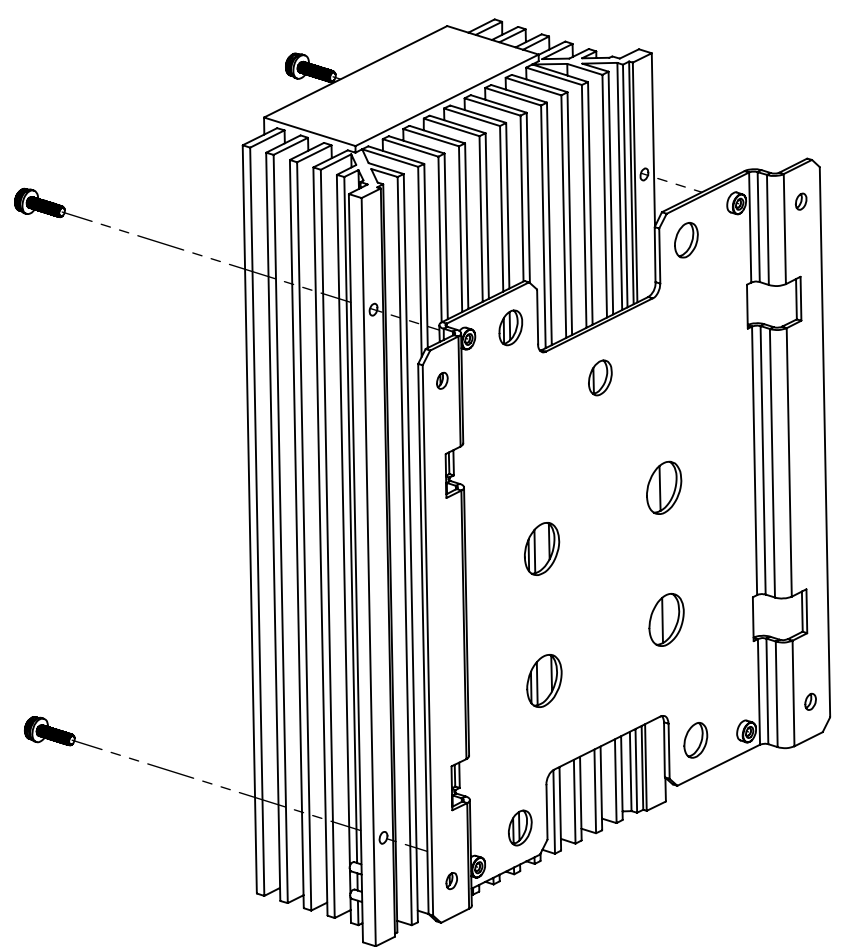
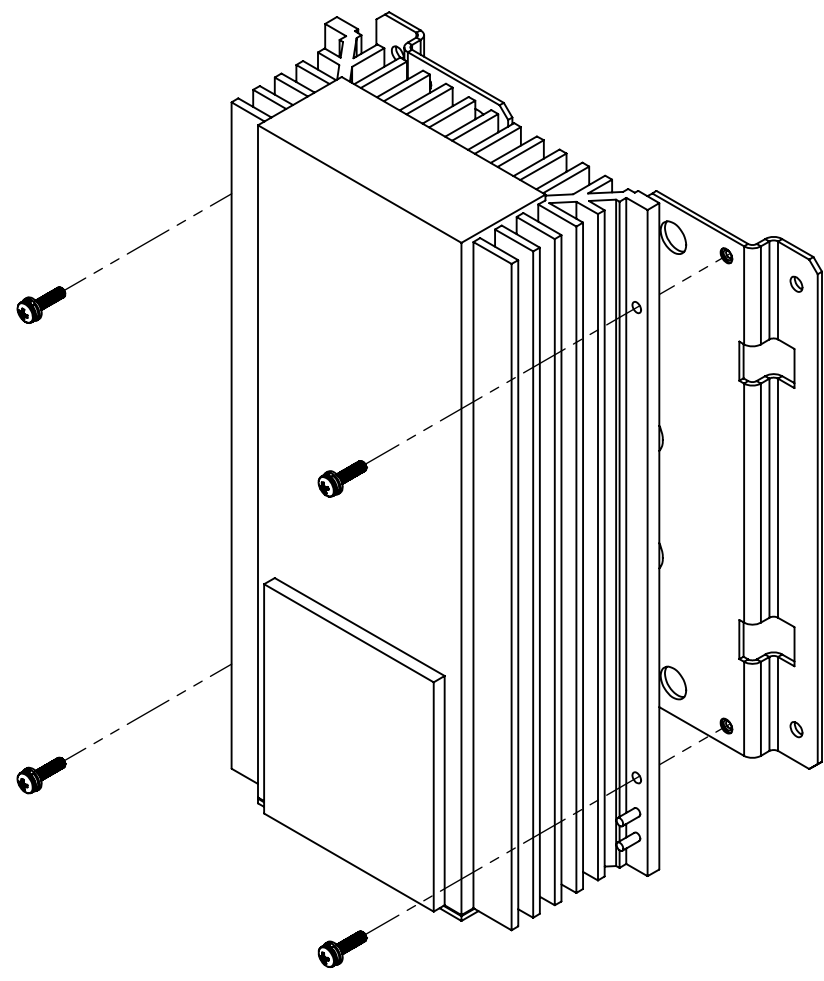


ABB RECTIFIER INSTALLATION

- 1) INSTALL THE RECTIFIER TO THE BRACKET USING 4 SETS OF M6 HW, PROVIDED IN THE HW KIT
- 2) INSTALL THE RECTIFIER SUB-ASSEMBLY TO THE ENCLOSURE USING 4 SETS OF 1/4" NUTS, LOCK AND FLAT WASHERS

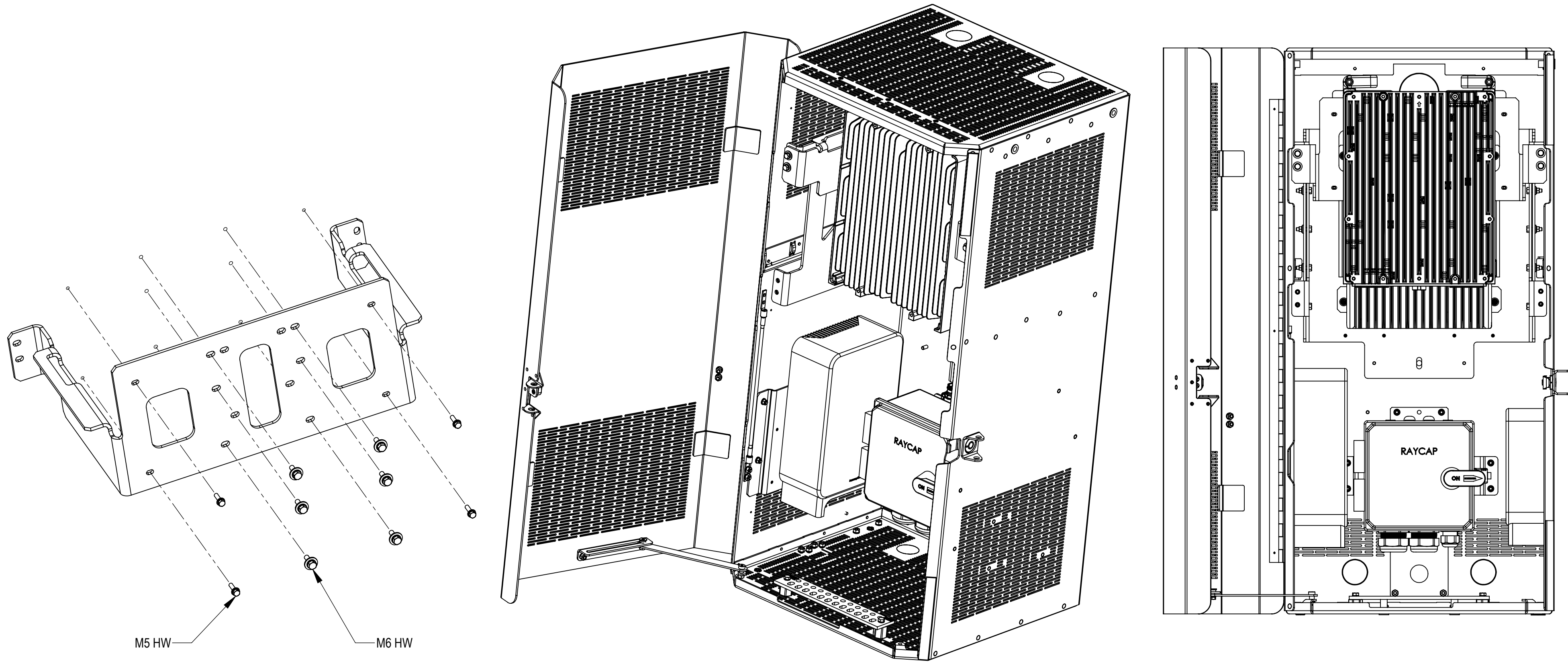
COMMSCOPE, INC. OF NORTH CAROLINA				
TITLE 760237600S1 INSTALL				
SIZE C	SCALE 1:4	DOCUMENT NO. 760237600S1 INSTALL		
		DRAWING		SHEET
		VERSION	STATUS	REVISION
		01	RE	B
				2 OF 4

4

3

2

1



DUALBAND RADIO INSTALLATION

1) INSTALL THE DUALBAND RADIO RDV01U OR RF4402 RADIO TO THE BRACKET USING 4 SETS OF M5 HW AND 6 SETS OF M6 HW, PROVIDED IN THE HW KIT

2) INSTALL THE DUALBAND RADIO SUB-ASSEMBLY TO THE ENCLOSURE USING 4 SETS OF M6 BOLTS, LOCK AND FLAT WASHERS

*NOTE: ONLY RDV01U RADIO SHOWN HERE FOR ILLUSTRATION.

COMMSCOPE, INC. OF NORTH CAROLINA				
TITLE 760237600S1 INSTALL				
SIZE C	SCALE 1:4	DOCUMENT NO. 760237600S1 INSTALL		
DRAWING		VERSION	STATUS	REVISION
		01	RE	B
				SHEET 3 OF 4

4

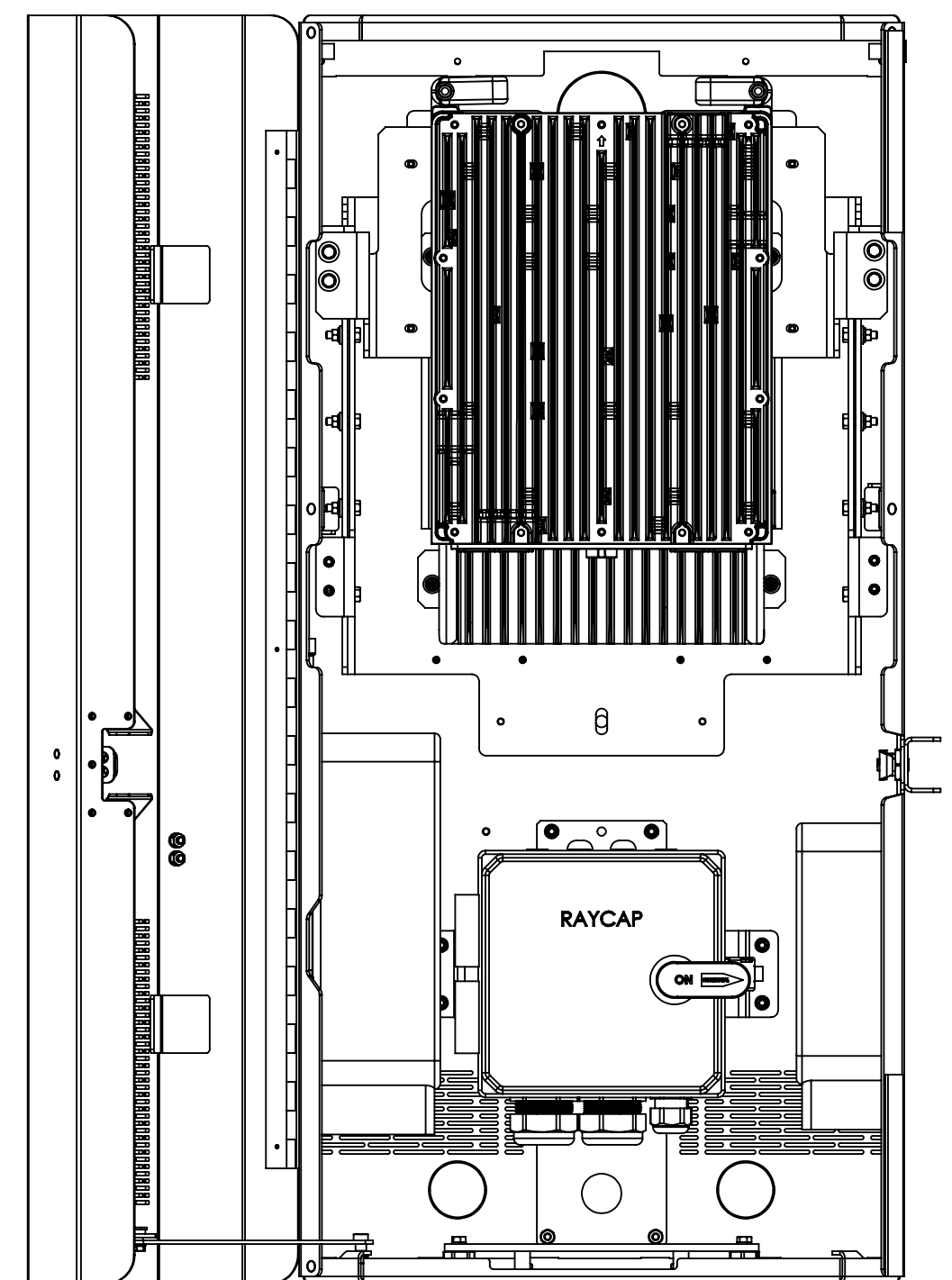
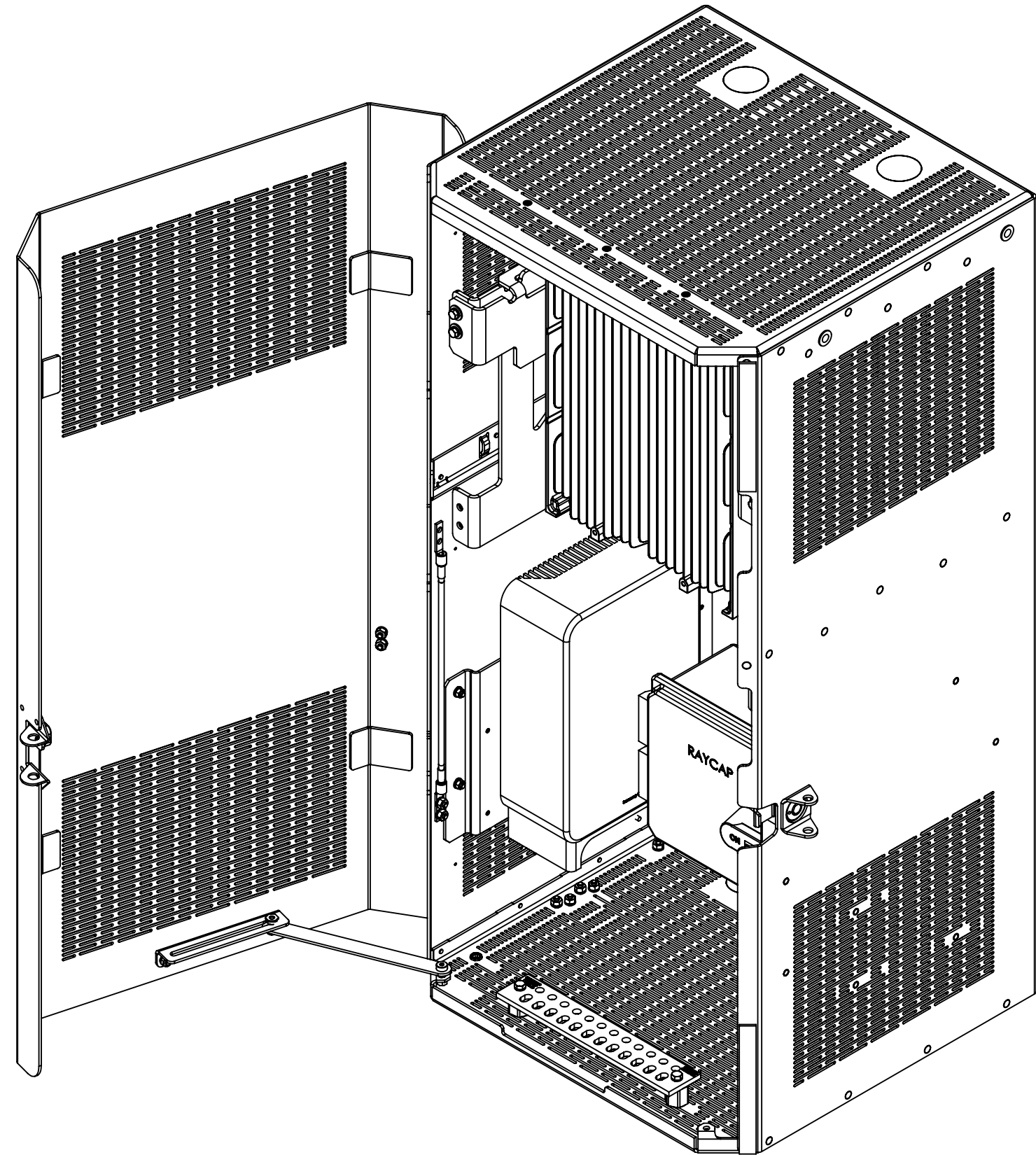
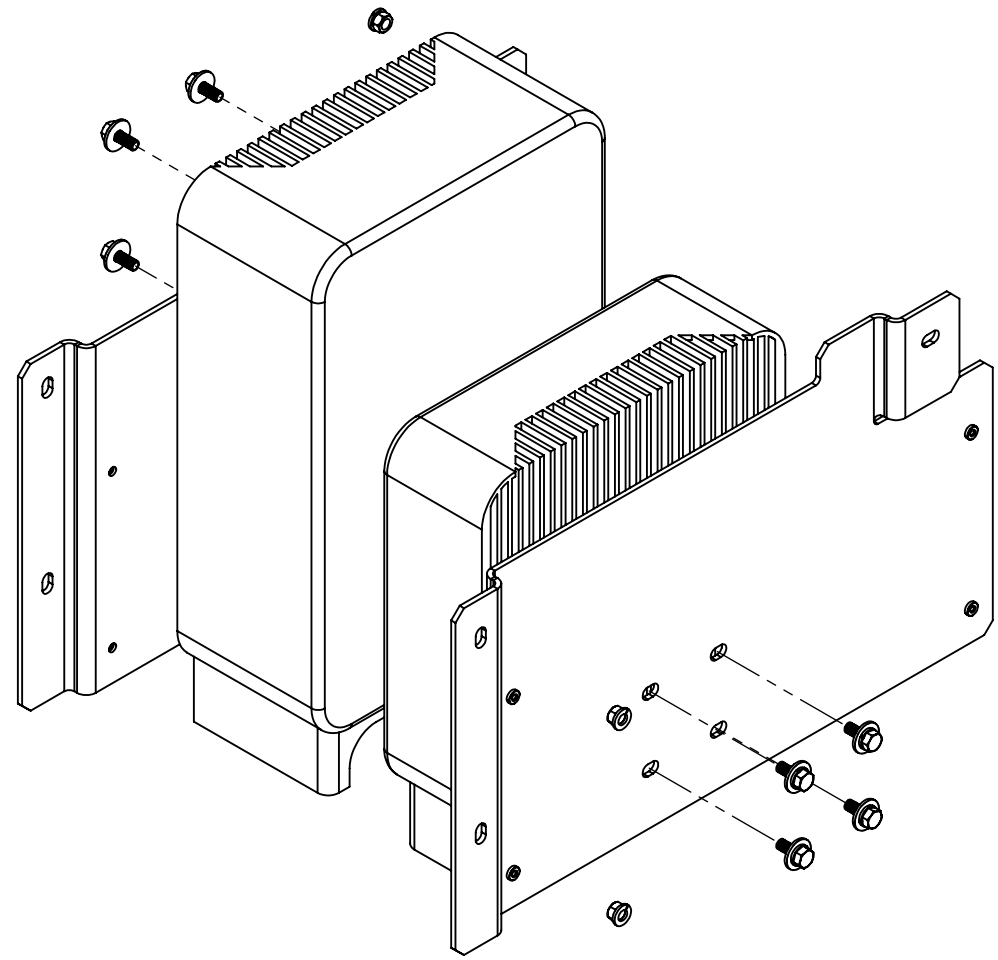
3

2

1

D

D



C

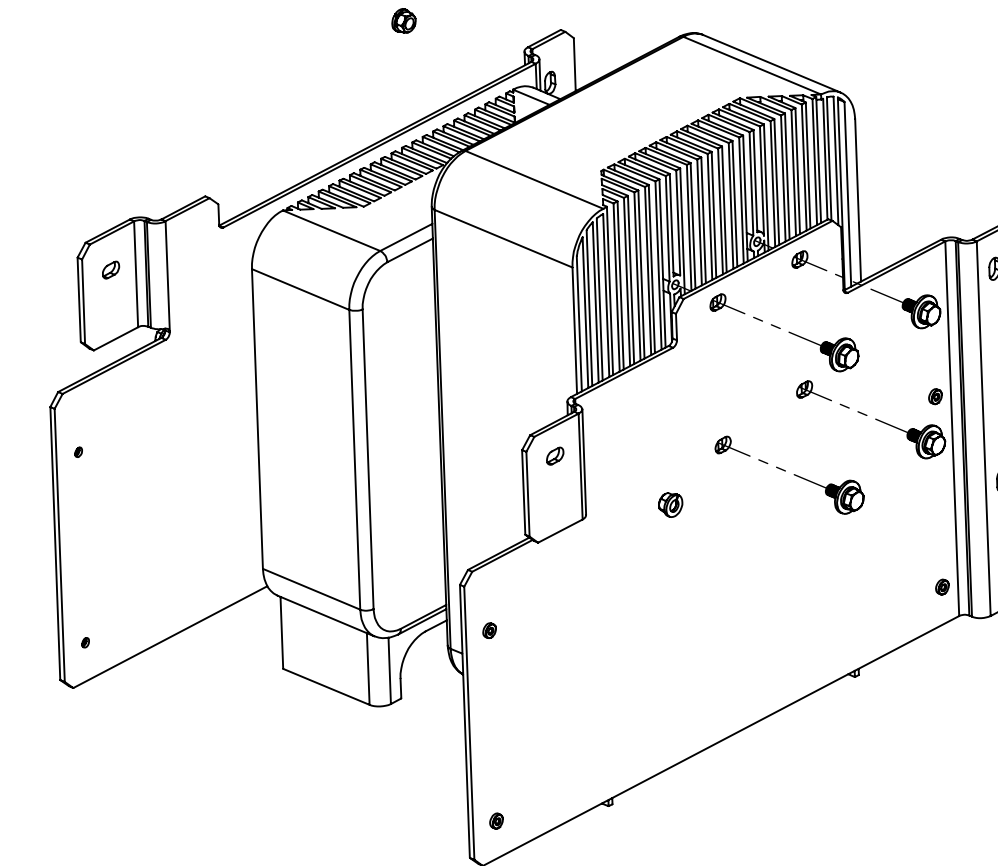
C

B

B

A

A



LAA/CBRS RADIO INSTALLATION

- 1) INSTALL THE LAA/CBRS RADIOS TO THE BRACKETS USING 4 SETS OF M6 HW, PROVIDED IN THE HW KIT
- 2) INSTALL EACH SUB-ASSEMBLY TO THE ENCLOSURE USING 3 SETS OF 1/4" NUTS AND LOCK WASHERS

COMMSCOPE, INC. OF NORTH CAROLINA				
TITLE 760237600S1 INSTALL				
SIZE C	SCALE 1:4	DOCUMENT NO. 760237600S1 INSTALL		
		DRAWING		SHEET
		VERSION	STATUS	REVISION
		01	RE	B
				4 OF 4

4

3

2

1