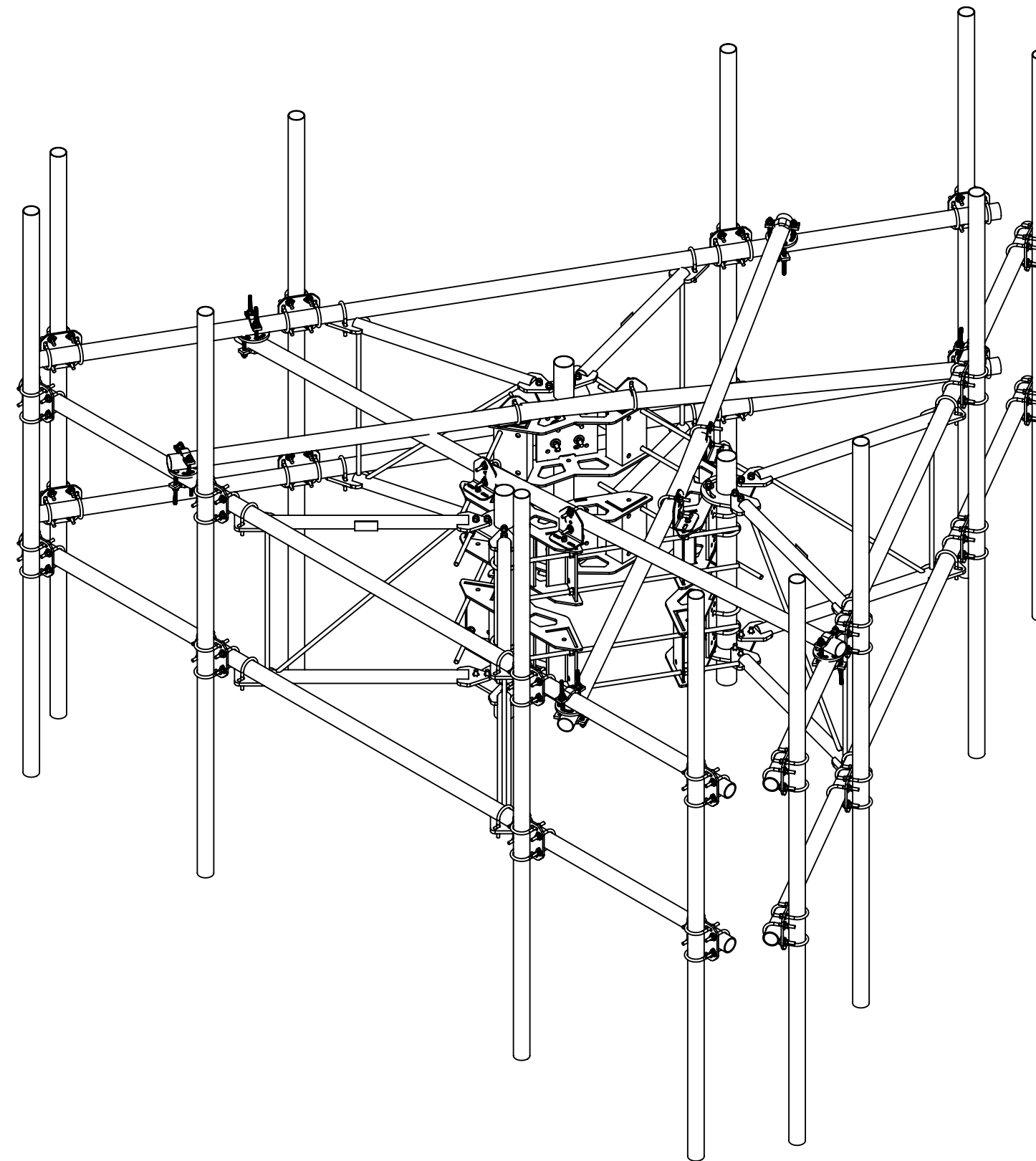


NOTES:

- 1.0 GENERAL
 - 1.1 ALL METRIC DIMENSIONS ARE IN BRACKETS
 - 1.2 FOR PATENT INFO: <https://www.cs-pat.com>
- 2.0 DESIGN NOTES
 - 2.1 ANY HAZARDS OR OBSTRUCTIONS TO THE CLIMBING FACILITY AND SAFETY CLIMB MUST BE IDENTIFIED PRIOR TO INSTALLING THE APPURTENANCE. ADDITIONAL PRODUCTS MAY BE REQUIRED TO MAINTAIN THE INTEGRITY OF THE SAFETY CLIMB. DURING INSTALLATION, TEMPORARY AND/OR PERMANENT PRECAUTIONARY MEASURES SHOULD BE TAKEN TO PRESERVE THE CLIMBING FACILITY AND/OR SAFETY CLIMB.
 - 2.2 FITS MONOPOLES 15" TO 50" OD.
- 3.0 MANUFACTURING/SPECIAL REQUIREMENTS
 - 3.1 FOR LOADING SEE ENGINEERING SPEC SHEET.
 - 3.2 TORQUE 1/2" HARDWARE TO 50 FT-LBS.
TORQUE 5/8" HARDWARE TO 50 FT-LBS.
TORQUE U-BOLTS TO 44 FT-LBS.
- 4.0 TEST
- 5.0 PACKAGING
 - 5.1 PIPES ARE TO BE BUNDLED SEPARATELY FOR EACH SECTOR FRAME.

REVISIONS				
REV.	ECN	DESCRIPTION	BY	DATE
A	8000033016	INITIAL RELEASE	RJC	01/11/19
B	8000042648	UPDATED PACK KITS	ES1081	09/21/20



MCG22HDX14-4-126 SHOWN FOR REFERENCE

PATENT PENDING

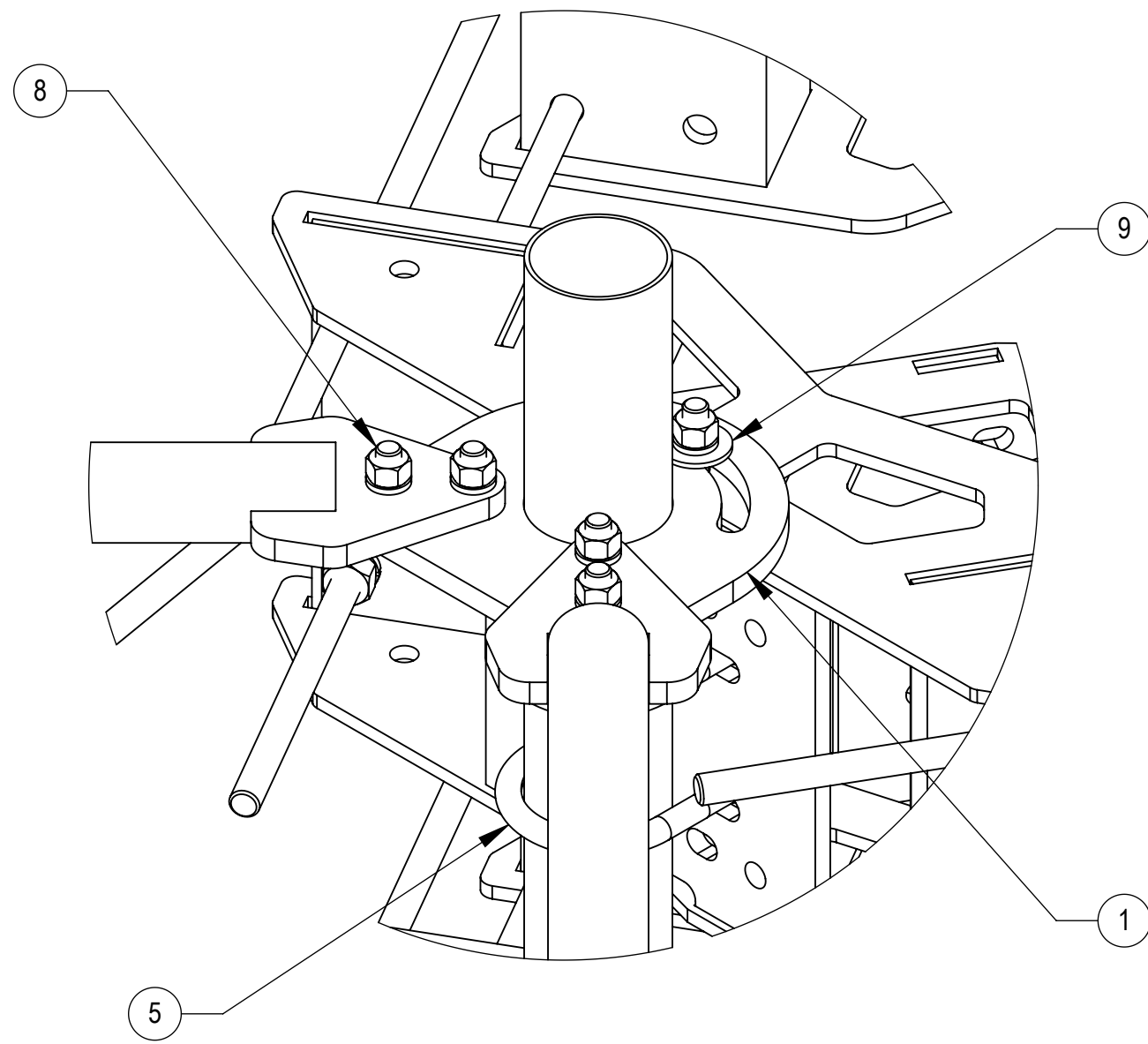
TOP LEVEL ZNSK COMPONENTS				
PART NO.	DESCRIPTION	PACK KIT	RING MOUNT	PIPE BUNDLE
MCG22HDX12-3-96	TRIPLE SECTR FRM MONO 12"6" FACE W/9 AP	G22HDXPKM33	MC-RM1550-3D	PB0612K0908B0607B
MCG22HDX12-3-126	TRIPLE SECTR FRM MONO 12"6" FACE W/9 AP	G22HDXPKM33	MC-RM1550-3D	PB0612K09TEB0607B
MCG22HDX14-3-96	TRIPLE SECTR FRM MONO 14"6" FACE W/9 AP	G22HDXPKM33	MC-RM1550-3D	PB0614K0908B0607B
MCG22HDX14-3-126	TRIPLE SECTR FRM MONO 14"6" FACE W/9 AP	G22HDXPKM33	MC-RM1550-3D	PB0614K09TEB0607B
MCG22HDX12-4-96	TRIPLE SECTR FRM MONO 12"6" FACE W/12 AP	G22HDXPKM34	MC-RM1550-3D	PB0612K1208B0607B
MCG22HDX12-4-126	TRIPLE SECTR FRM MONO 12"6" FACE W/12 AP	G22HDXPKM34	MC-RM1550-3D	PB0612K12TEB0607B
MCG22HDX14-4-96	TRIPLE SECTR FRM MONO 14"6" FACE W/12 AP	G22HDXPKM34	MC-RM1550-3D	PB0614K1208B0607B
MCG22HDX14-4-126	TRIPLE SECTR FRM MONO 14"6" FACE W/12 AP	G22HDXPKM34	MC-RM1550-3D	PB0614K12TEB0607B

COMMSCOPE, INC. OF NORTH CAROLINA										
TOLERANCES					SAP MATERIAL MASTER					
0 PLACE X ± .25		2 PLACE .XX ± 0.06			SEE TABLE					
1 PLACE .X ± 0.12		ANGLES ± 2°								
FINISH GALV A123					MATERIAL A500, A529, A572, A1011/A1018					
UNLESS OTHERWISE SPECIFIED DIMENSIONS ARE IN INCHES INTERPRET PER ANSI Y 14.5M-1994	NAME	DATE	TITLE							
	CE RJC	01/11/19	MCG22HDX SECTOR FRAME SERIES							
	RW		SCALE DOCUMENT NO.							
	AD		1:24 MCG22HDX							
	RE BCROSS	10/29/2020	ECN 008000033016							
DENSITY	lbs/in ³	SIZE	WORK AREA	24	MODEL			DRAWING		
MASS	lbs	C			VERSION	STATUS	REVISION	VERSION	STATUS	REVISION
VOLUME	in ³				00	RE	B	00	RE	B
SURFACE AREA	in ²									
HEIGHT										
LENGTH										
WIDTH										

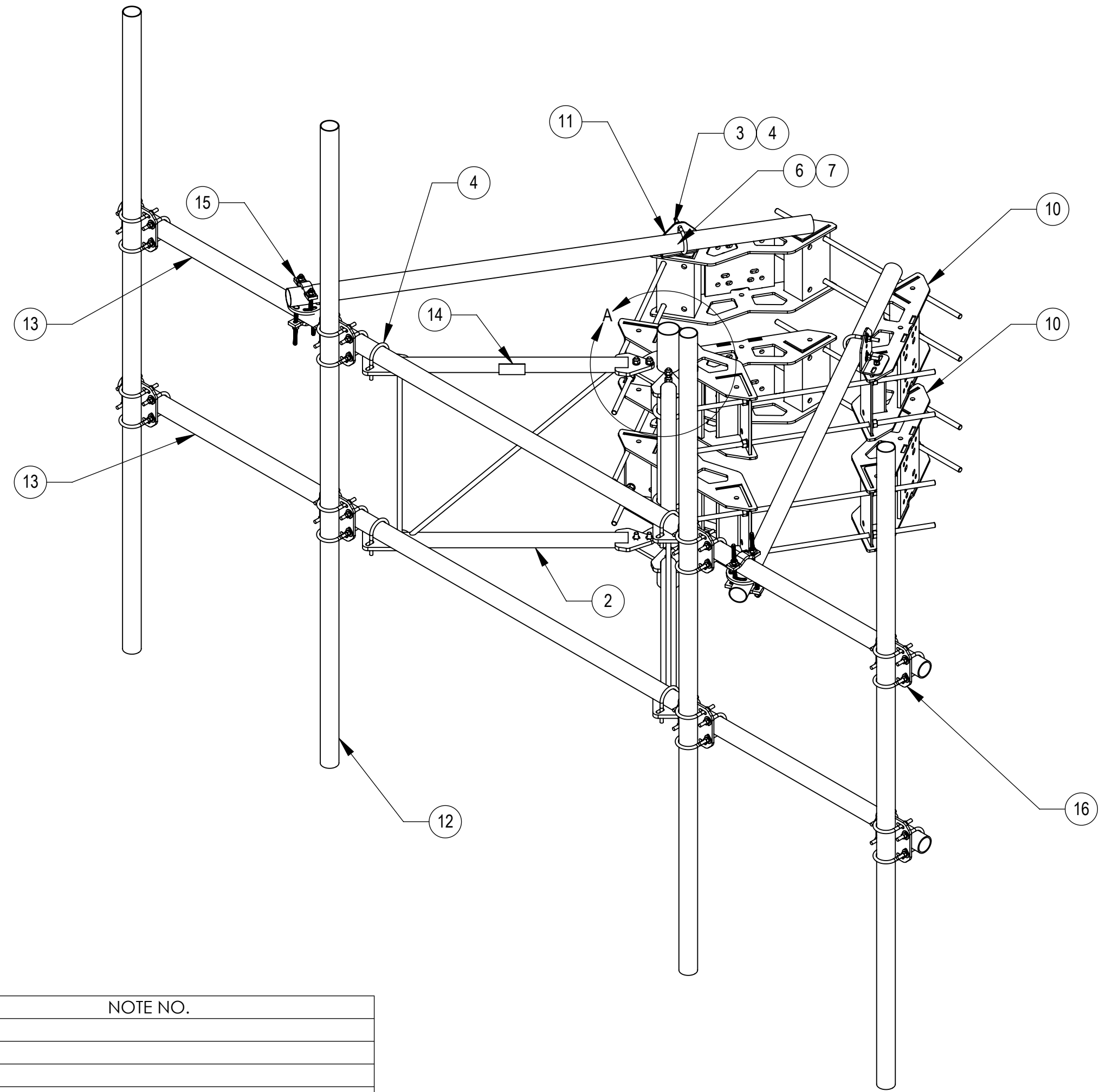
PACK KIT COMPONENTS		
PACK KIT	CROSSOVER KIT	HARDWARE KIT
G22HDXPKM33	XP-2525 (QTY 24)	G22HDXMHK
G22HDXPKM34	XP-2525 (QTY 30)	G22HDXMHK

DENSITY	lbs/in ³
MASS	lbs
VOLUME	in ³
SURFACE AREA	in ²
HEIGHT	
LENGTH	
WIDTH	

NOTES:



DETAIL A
SCALE 1:4



**SINGLE SECTOR OF MCG22HDX14-4-126
SHOWN FOR REFERENCE**

ITEM	PART NO.	DESCRIPTION	QTY.	WEIGHT	NOTE NO.
1	SFG2270	BACK VERTICAL ARM MOUNT	3	36.96 LBS	
2	SFG2278	ARM, STANDOFF - SFG22	6	40.92 LBS	
3	XAU01	ANGLE, CROSSOVER, 1.9-3.5" X 1.9-3.5" OD	6	2.98 LBS	
4	GUB-4352	1/2" X 3" X 5-1/4" GALV U-BOLT	18	0.71 LBS	
5	GUB-53560	5/8" X 3-5/8" X 6" GALV U-BOLT	12	1.30 LBS	
6	GB-04145	1/2" X 1-1/2" GALV BOLT KIT	6	0.13 LBS	
7	GWF-04	1/2" GALV FLAT WASHER	6	0.04 LBS	
8	GB-05225	5/8" X 2-1/4" GALV BOLT KIT	30	0.28 LBS	
9	GWF-05	5/8" GALV FLAT WASHER, 1.7OD	6	0.08 LBS	
10	MC-RM1550-3	12" - 50" OD RINGMOUNT	2	230.13 LBS	
11	MT546084120	2.88" OD X 84" LONG PIPE	6	24.81 LBS	
12	MT546120120	2.88 OD X 120" LONG PIPE	12	35.44 LBS	
13	MT-546-174	PIPE GALV, 2-7/8 X 174, SCH40	6	84.30 LBS	
14	SFG2250	LABEL, SFG22	3	0.03 LBS	
15	XP-R	CROSSOVER PLATE, ROUND, UP TO 3.5" OD	6	6.27 LBS	
16	XP-2525	CROSSOVER PLATE KIT, 2-7/8 OD X 2-7/8 OD	24	7.77 LBS	

PATENT PENDING

COMMSCOPE, INC. OF NORTH CAROLINA				
TITLE MCG22HDX SECTOR FRAME SERIES				
SIZE C	SCALE 1:16	DOCUMENT NO. MCG22HDX		
DRAWING		VERSION	STATUS	REVISION
		04	RE	B
				SHEET 2 OF 7

4

3

2

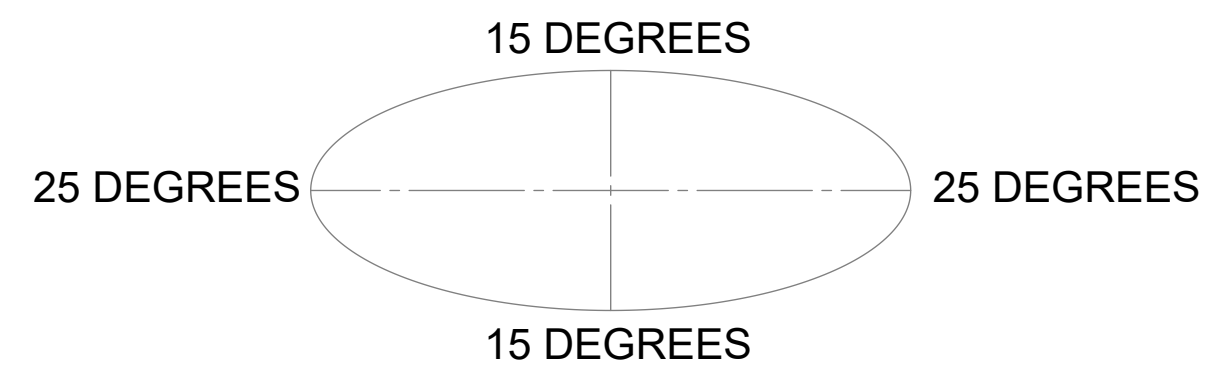
1

NOTES:

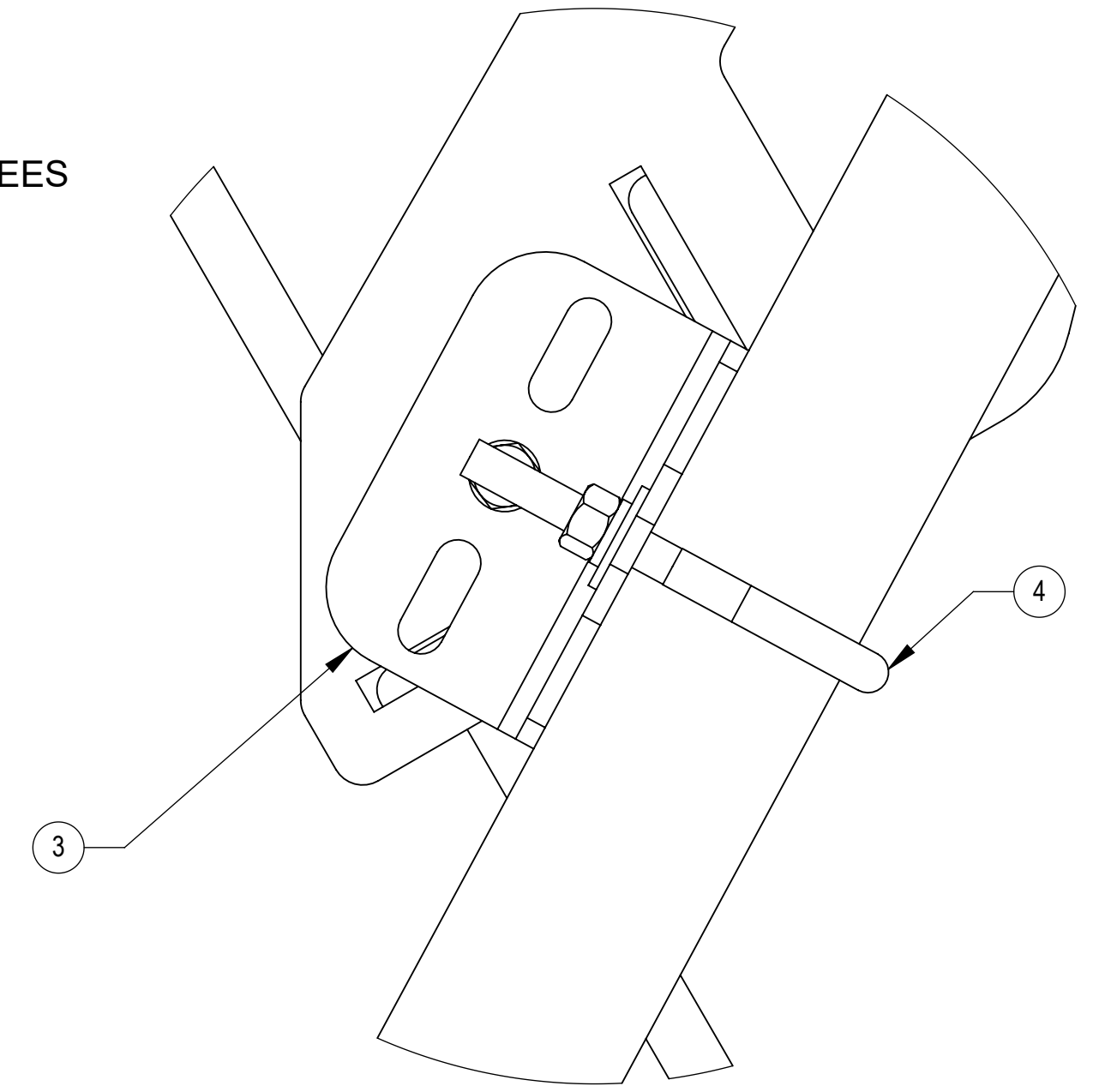
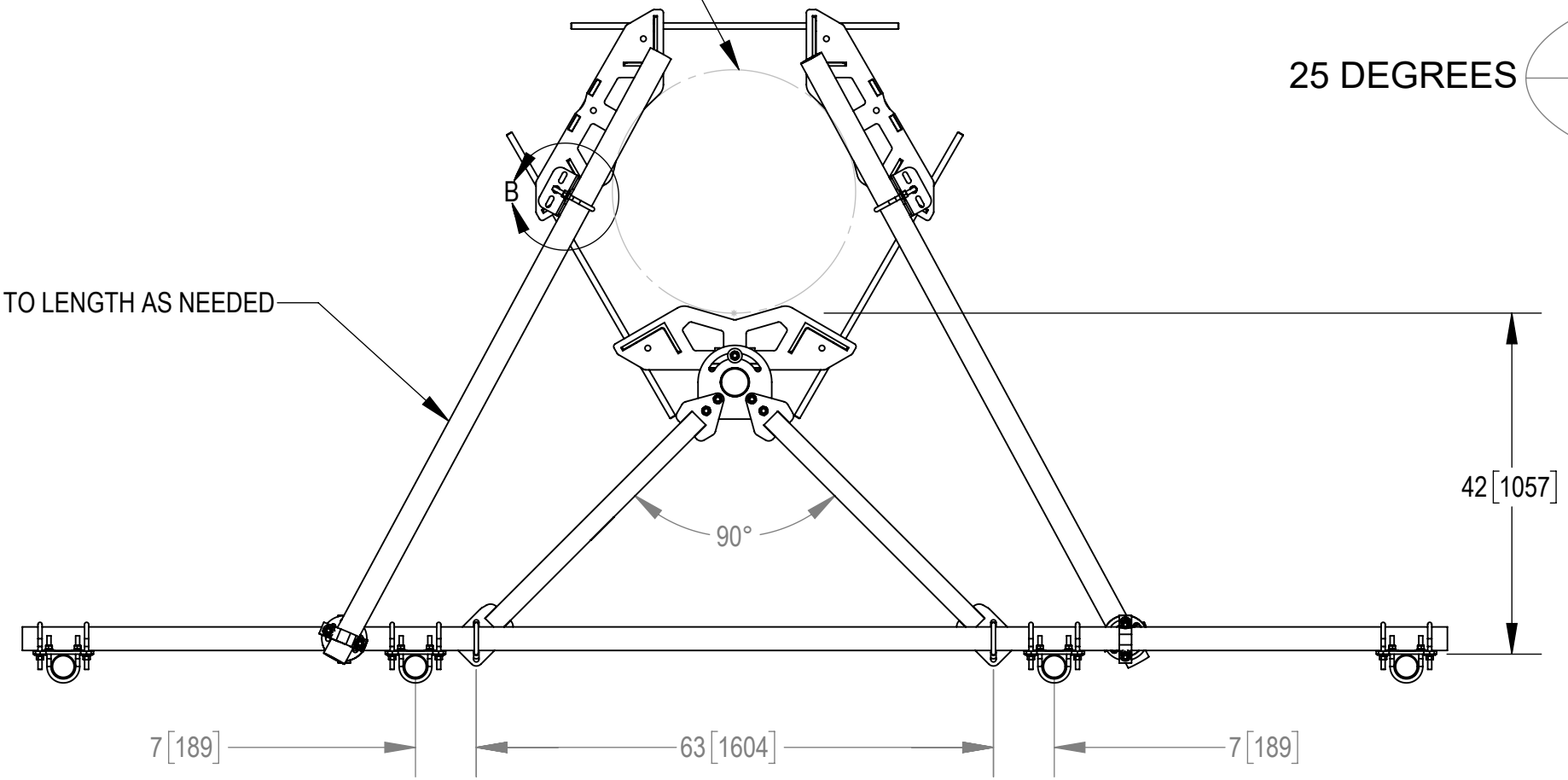
12'6" FACE MODELS: ϕ 12" - 50" POLE
 14'6" FACE MODELS: ϕ 24" - 50" POLE

ALLOWABLE TIEBACK ANGLE

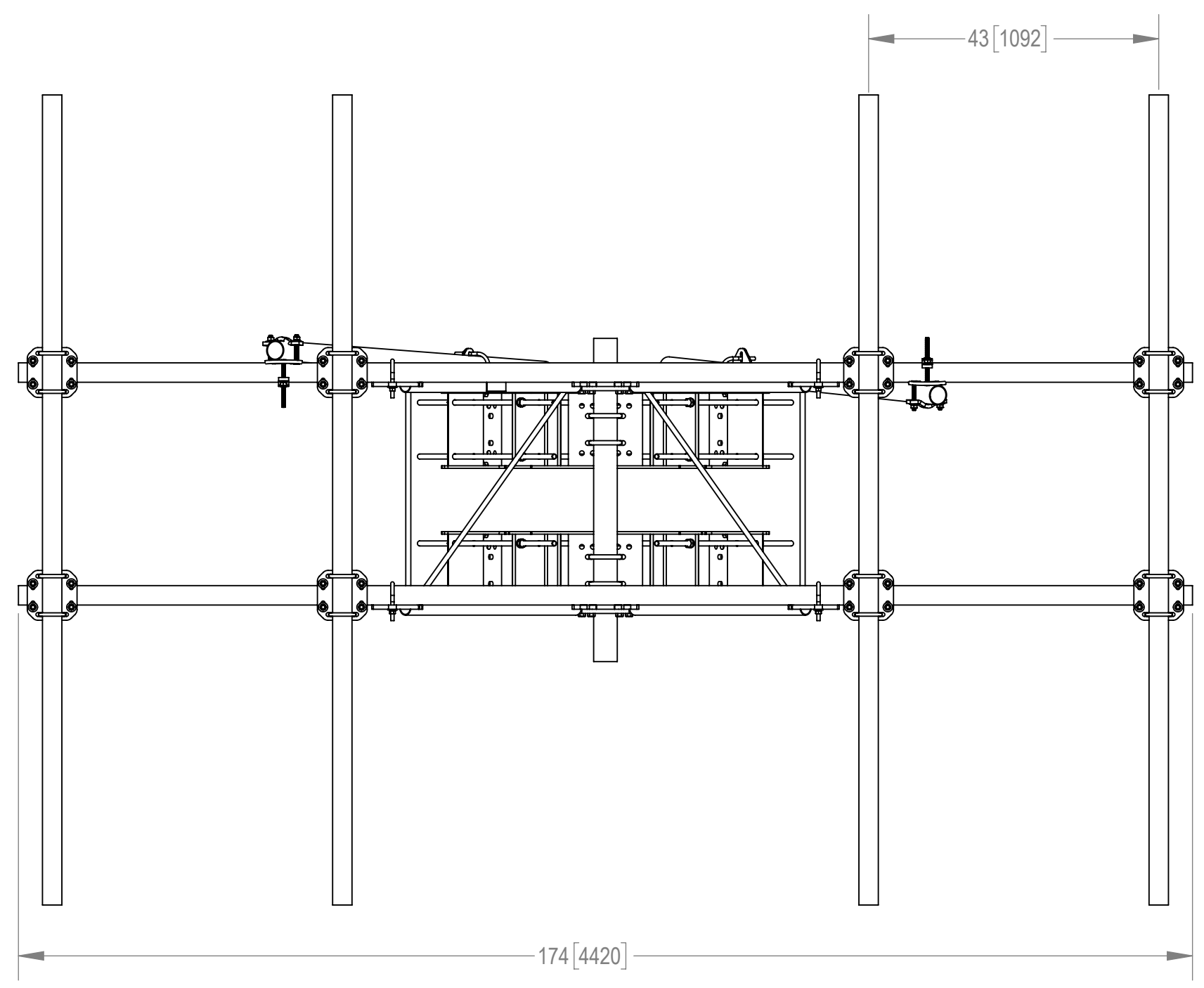
± 15 DEGREES VERTICAL
 ± 25 DEGREES HORIZONTAL



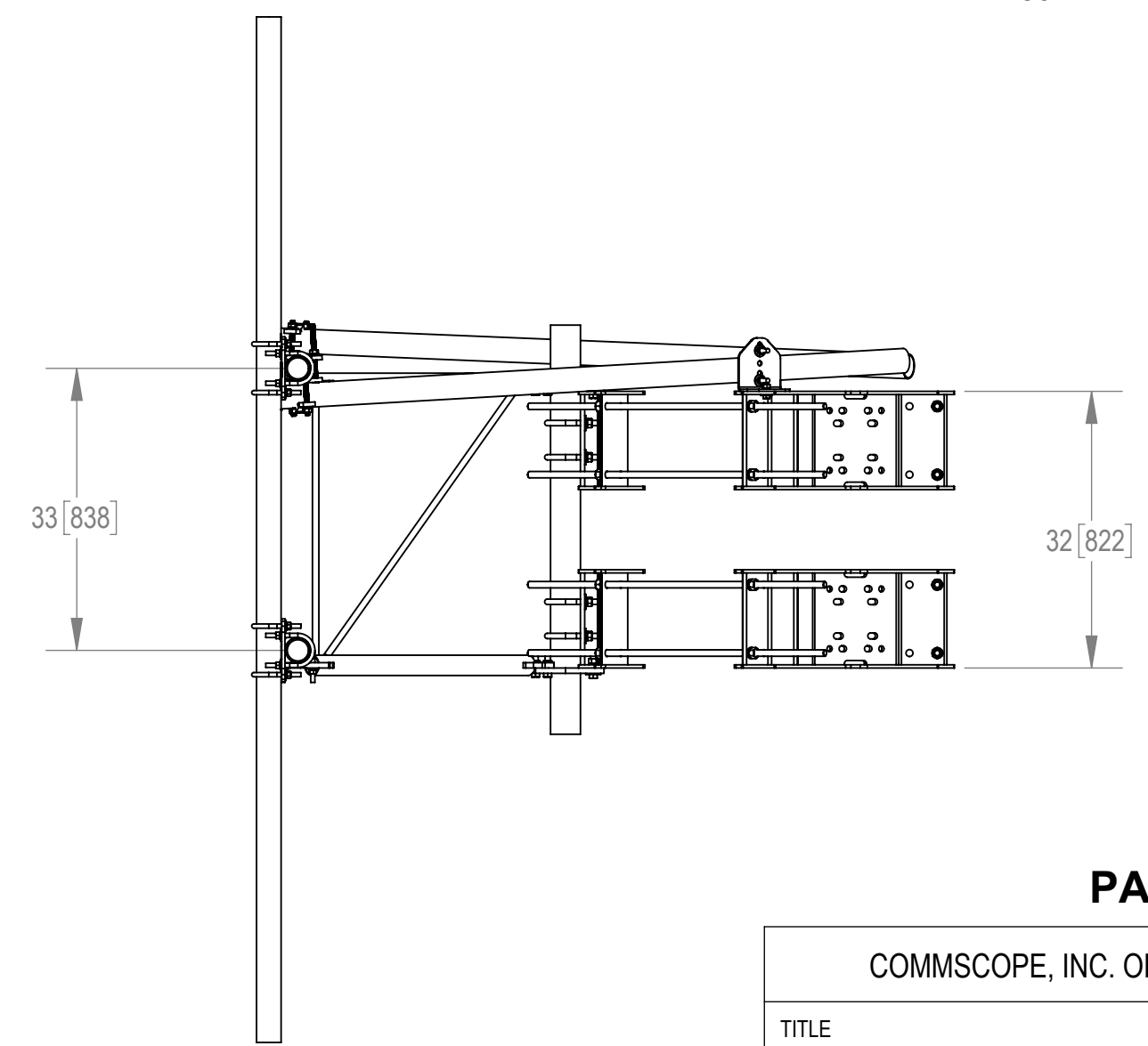
CUT TO LENGTH AS NEEDED



DETAIL B
 SCALE 1 : 2



**SINGLE SECTOR OF "WLL" MODEL
 SHOWN FOR REFERENCE**



PATENT PENDING

COMMSCOPE, INC. OF NORTH CAROLINA				
TITLE MCG22HDX SECTOR FRAME SERIES				
SIZE C	SCALE 1:20	DOCUMENT NO. MCG22HDX		
		DRAWING		SHEET
		VERSION	STATUS	REVISION
		04	RE	B
				SHEET 3 OF 7

4

3

2

1

4

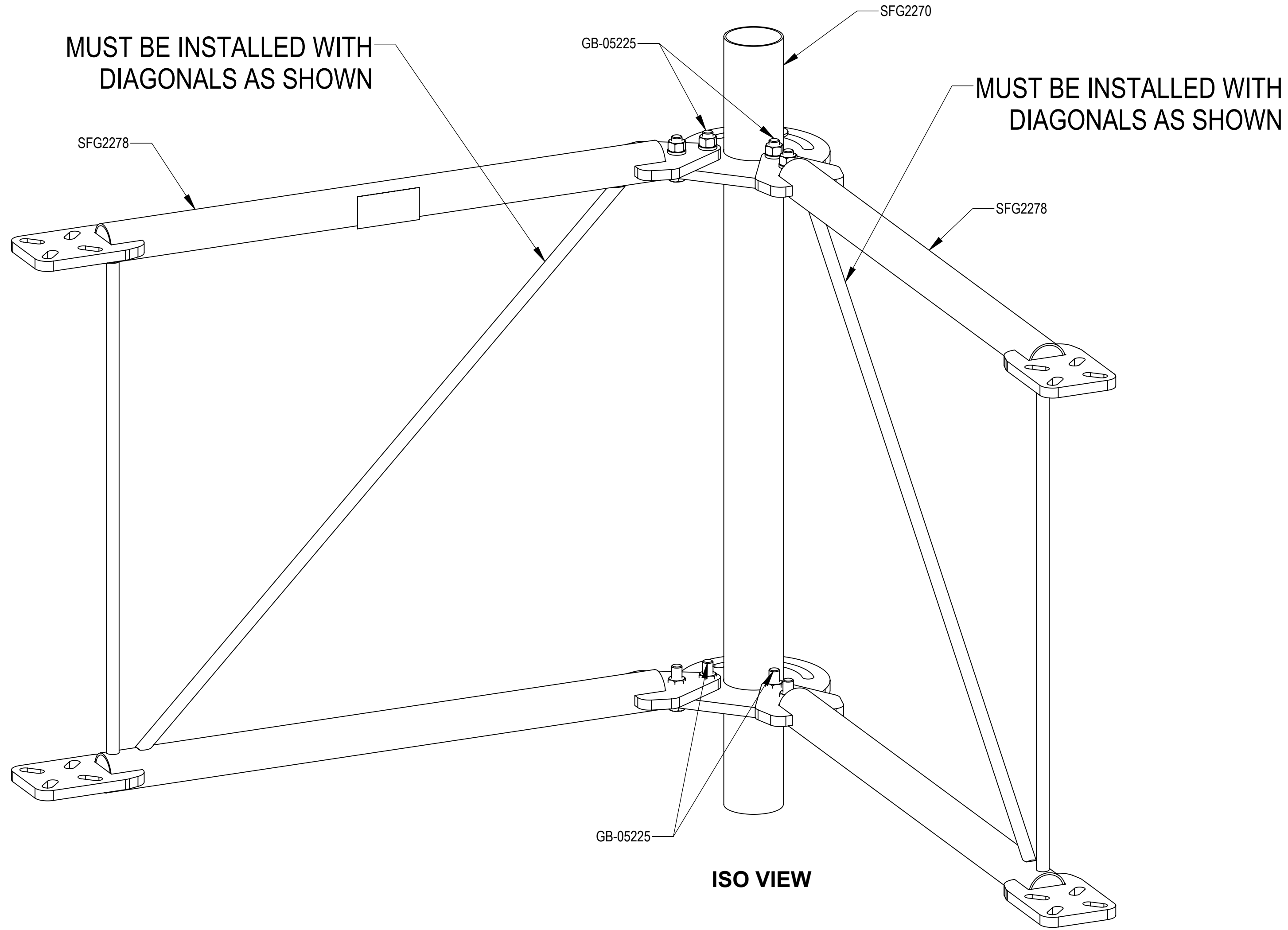
3

2

1

NOTES:

STEP 1: ATTACH STANDOFF ARMS (SFG2278) TO BACK VERTICAL ARM MOUNT (SFG2270) USING (GB-05225) BOLT KITS



PATENT PENDING

COMMSCOPE, INC. OF NORTH CAROLINA				
TITLE MCG22HDX SECTOR FRAME SERIES				
SIZE C	SCALE 1:4	DOCUMENT NO. MCG22HDX		
DRAWING				SHEET
VERSION 04	STATUS RE	REVISION B	4 OF 7	

© 2019 CommScope, Inc. Confidential

4

3

2

1

D

D

C

C

B

B

A

A

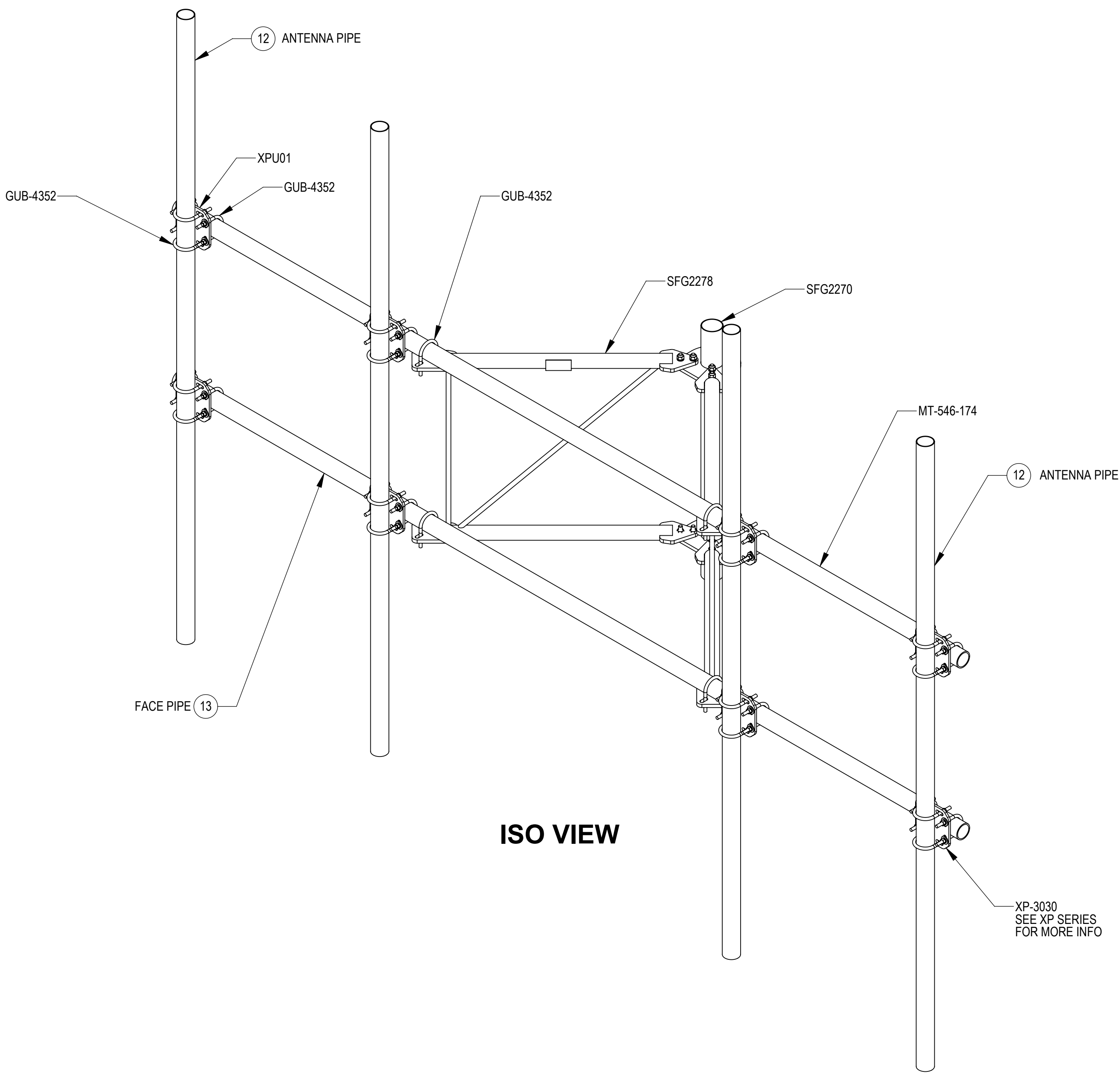
4

3

2

1

NOTES:
STEP 2: ATTACH FACE PIPES TO STANDOFF ARMS USING (GUB-4352) U-BOLTS AND THEN ATTACH ANTENNA PIPES USING (XPU01) CROSSOVER PLATES AND (GUB-4352) U-BOLTS



ISO VIEW

PATENT PENDING

COMMSCOPE, INC. OF NORTH CAROLINA				
TITLE MCG22HDX SECTOR FRAME SERIES				
SIZE C	SCALE 1:12	DOCUMENT NO. MCG22HDX		
		DRAWING		SHEET
		VERSION	STATUS	REVISION
		04	RE	B
				5 OF 7

© 2019 CommScope, Inc. Confidential

4

3

2

1

4

3

2

1

NOTES:

STEP 3: ATTACH BACK VERTICAL ARM MOUNT (SFG2270) TO RINGMOUNT USING BOLT KIT (GB-05225), FLAT WASHER (GWF-05) AND U-BOLT (GUB-53560)

D

D

C

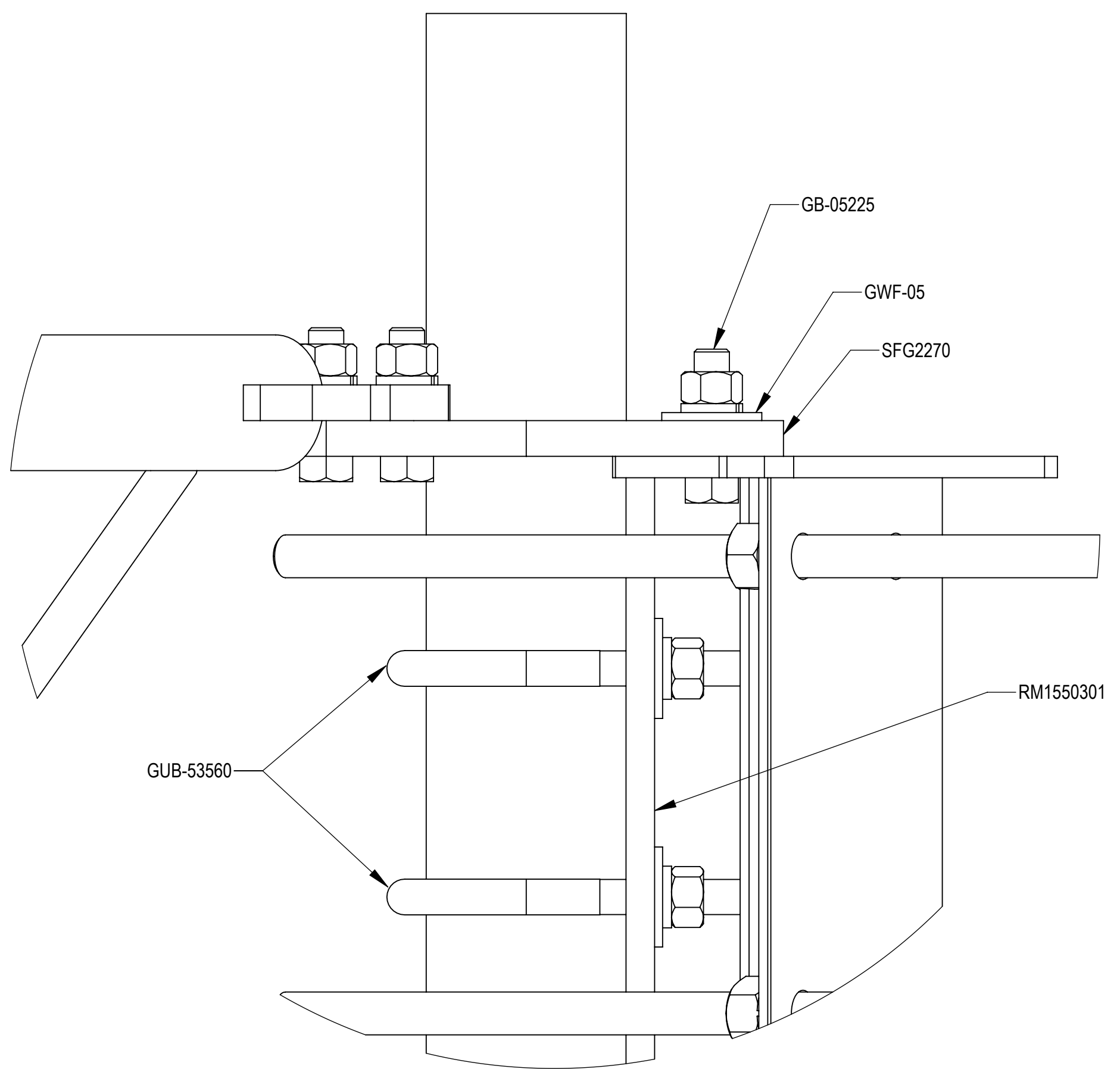
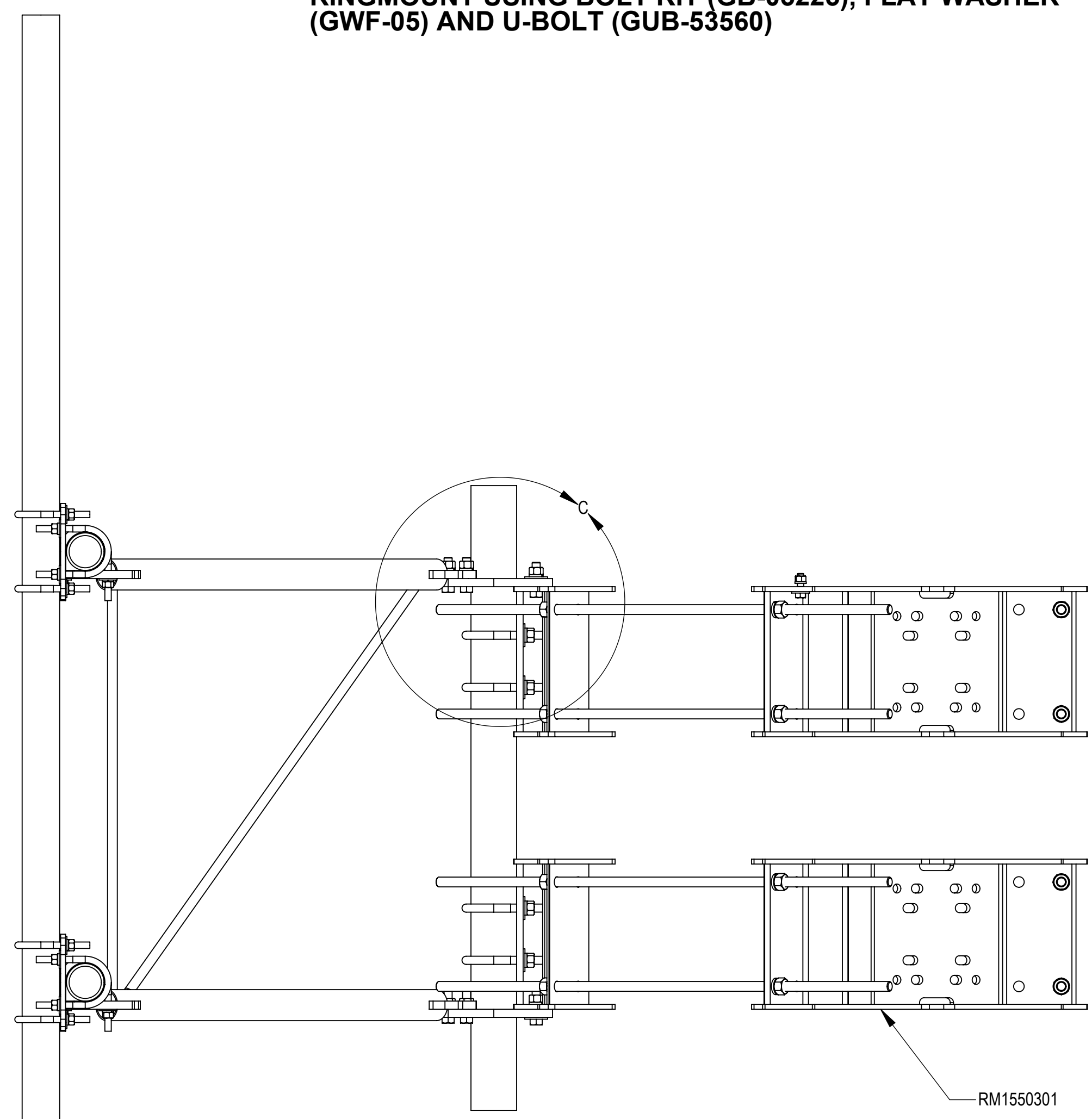
C

B

B

A

A



DETAIL C
SCALE 1:2

PATENT PENDING

COMMSCOPE, INC. OF NORTH CAROLINA				
TITLE MCG22HDX SECTOR FRAME SERIES				
SIZE C	SCALE 1:8	DOCUMENT NO. MCG22HDX		
		DRAWING		SHEET
		VERSION	STATUS	REVISION
		04	RE	B
				6 OF 7

© 2019 CommScope, Inc. Confidential

4

3

2

1

4

3

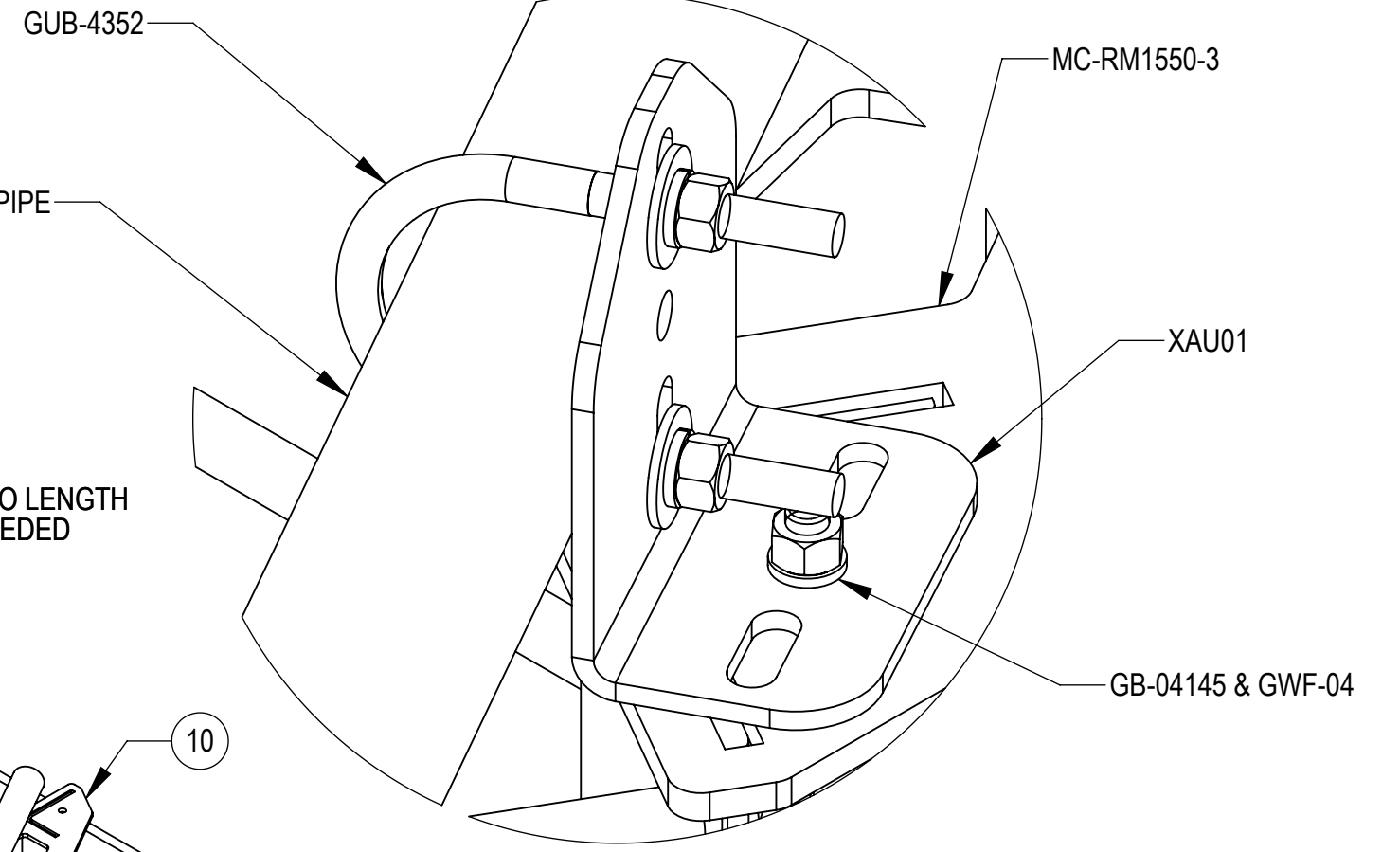
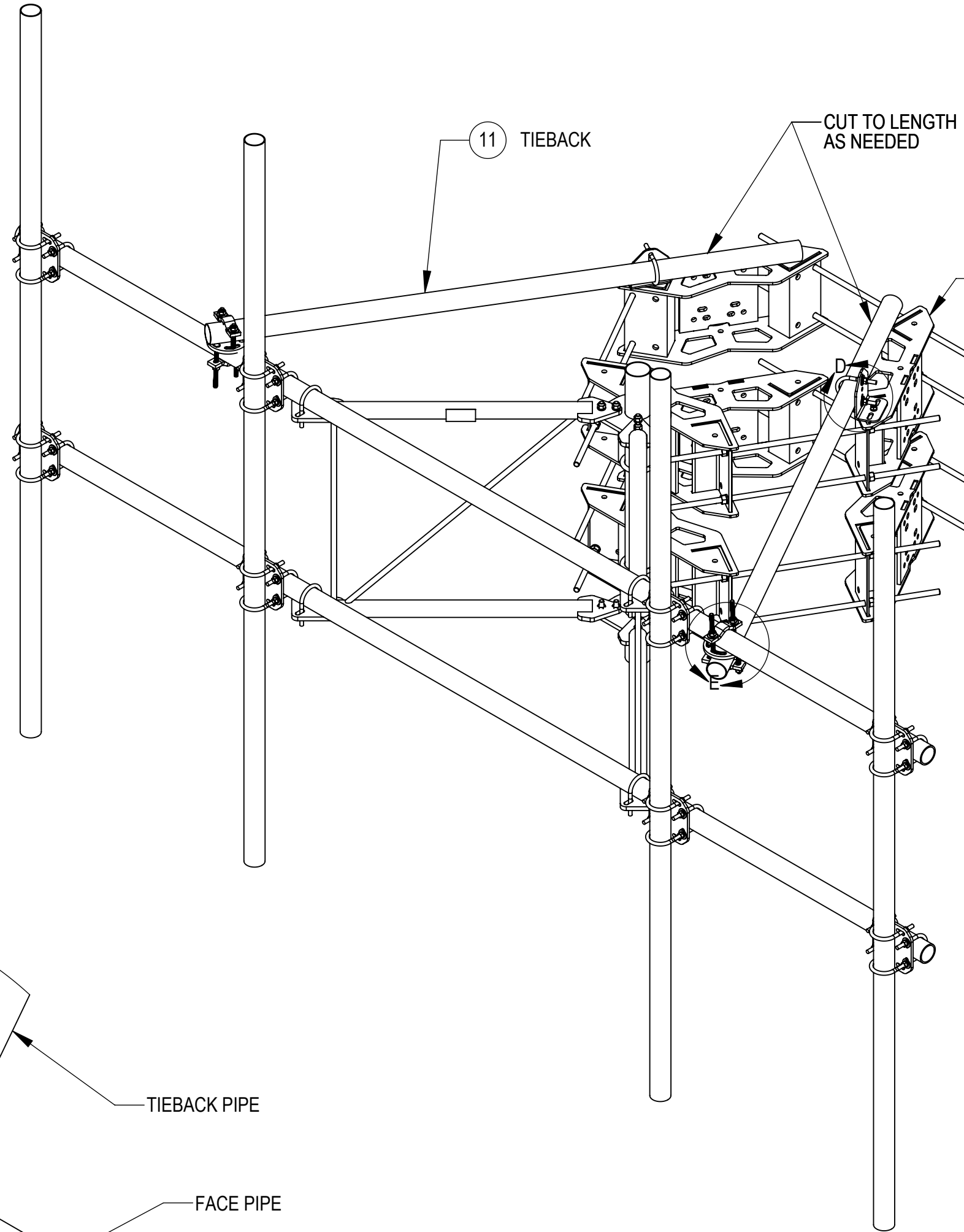
2

1

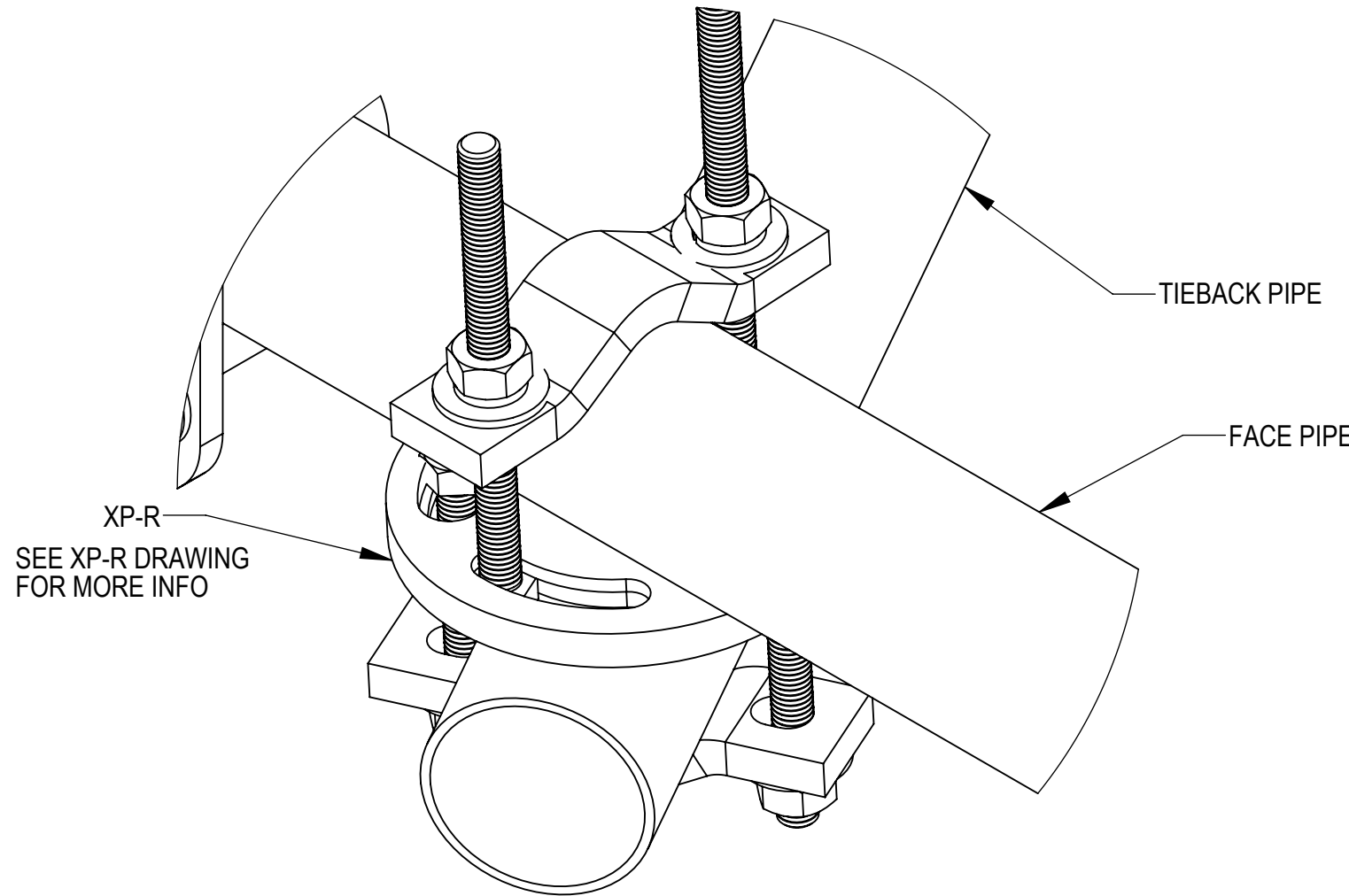
NOTES:

STEP 4: ATTACH TIE BACK PIPES TO FACE PIPES USING XP-R

STEP 5: ATTACH TIE BACK PIPES TO RINGMOUNT (MC-RM1550-3) USING CROSSOVER ANGLES (XAU01), BOLT KIT (GB-04145), FLAT WASHER (GWF-04) AND U-BOLT (GUB-4352)


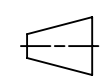


DETAIL D
SCALE 1 : 2



DETAIL E
SCALE 1 : 2

PATENT PENDING

COMMSCOPE, INC. OF NORTH CAROLINA				
TITLE MCG22HDX SECTOR FRAME SERIES				
SIZE C	SCALE 1:16	DOCUMENT NO. MCG22HDX		
 		DRAWING		SHEET 7 OF 7
		VERSION 04	STATUS RE	

© 2019 CommScope, Inc. Confidential

4

3

2

1

D

D

C

C

B

B

A

A