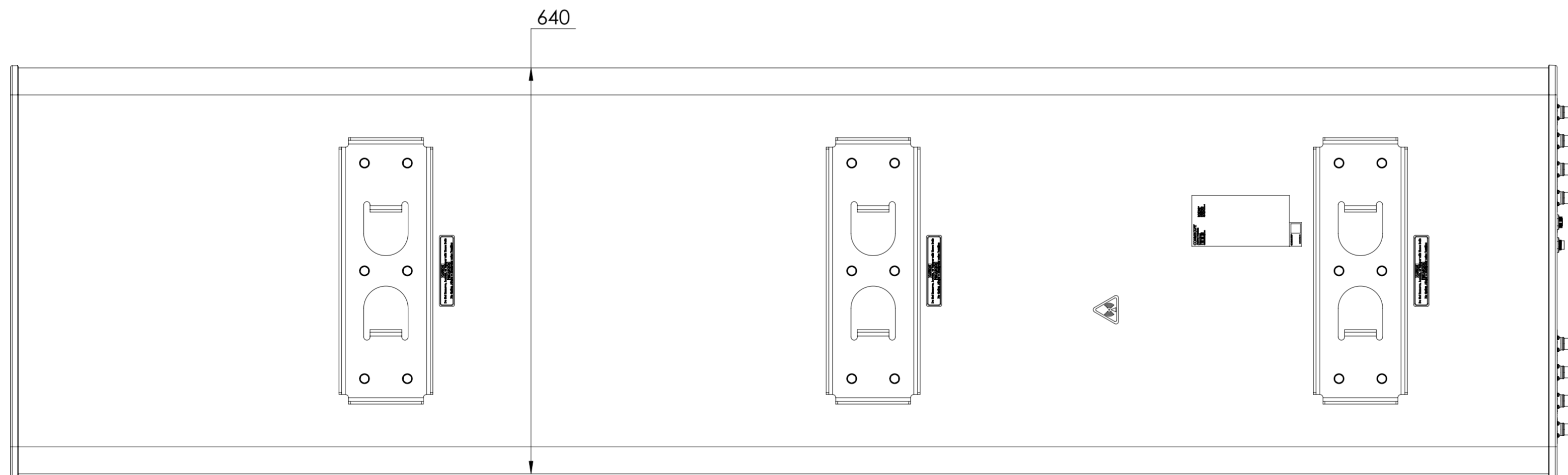
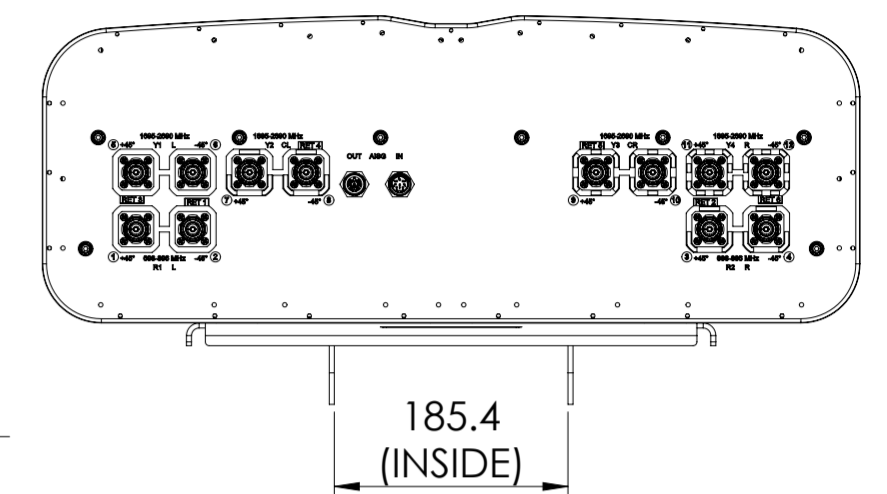
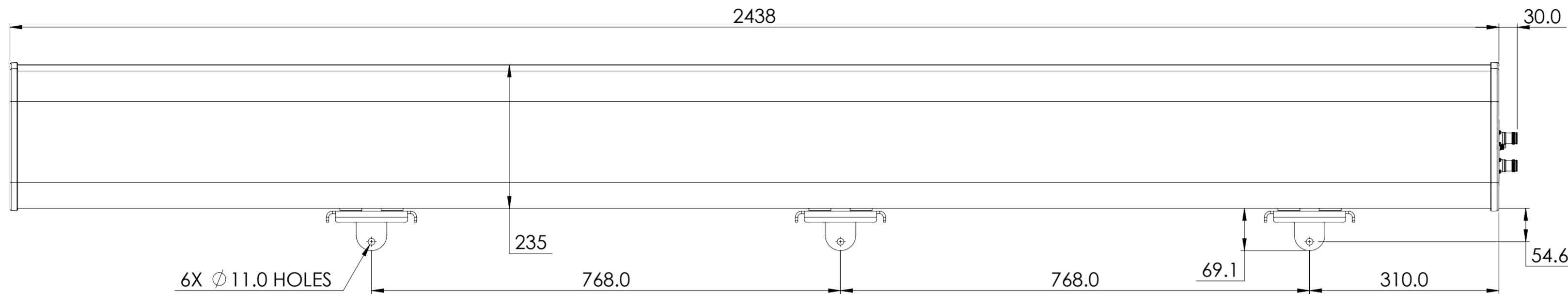


REVISIONS			
REV.	DESCRIPTION	DATE	APPROVED
A	ECR 16510PC: RELEASE TO PRODUCTION PER EAO 610642.	27DEC21 HM	YB.LIU / SGY



NNH4-65C-R6-HG

COMMScope, INC. OF NORTH CAROLINA

TOLERANCES		SAP MATERIAL MASTER																																					
0 PLACE X ±	2 PLACE .XX ±																																						
1 PLACE .X ±	ANGLES ±																																						
FINISH		MATERIAL																																					
UNLESS OTHERWISE SPECIFIED DIMENSIONS ARE IN MILLIMETERS INTERPRET PER ISO STANDARDS HANDBOOK TECHNICAL DRAWINGS VOLUMES 1 & 2, THIRD EDITION (2002)		<table border="1"> <thead> <tr> <th>NAME</th> <th>DATE</th> <th>TITLE</th> </tr> </thead> <tbody> <tr> <td>CE MH1111</td> <td>12/27/2021</td> <td rowspan="2">PRODUCT DRAWING</td> </tr> <tr> <td>RW MH1111</td> <td>12/27/2021</td> </tr> <tr> <td>AD CZHENG2</td> <td>01/04/2022</td> <td rowspan="2">SCALE: 1:6</td> </tr> <tr> <td>RE XS1022</td> <td>01/04/2022</td> </tr> <tr> <td colspan="2">ECN 16510PC</td> <td colspan="2">DOCUMENT NO. NNV4-65C-R6-HG-L</td> </tr> </tbody> </table>		NAME	DATE	TITLE	CE MH1111	12/27/2021	PRODUCT DRAWING	RW MH1111	12/27/2021	AD CZHENG2	01/04/2022	SCALE: 1:6	RE XS1022	01/04/2022	ECN 16510PC		DOCUMENT NO. NNV4-65C-R6-HG-L																				
NAME	DATE	TITLE																																					
CE MH1111	12/27/2021	PRODUCT DRAWING																																					
RW MH1111	12/27/2021																																						
AD CZHENG2	01/04/2022	SCALE: 1:6																																					
RE XS1022	01/04/2022																																						
ECN 16510PC		DOCUMENT NO. NNV4-65C-R6-HG-L																																					
<table border="1"> <thead> <tr> <th>DENSITY</th> <th>g/mm³</th> </tr> </thead> <tbody> <tr> <td>MASS</td> <td>grams</td> </tr> <tr> <td>VOLUME</td> <td>mm³</td> </tr> <tr> <td>SURFACE AREA</td> <td>mm²</td> </tr> </tbody> </table>		DENSITY	g/mm ³	MASS	grams	VOLUME	mm ³	SURFACE AREA	mm ²	<table border="1"> <thead> <tr> <th>SIZE</th> <th>WORK AREA</th> <th>BSA</th> <th>MODEL</th> <th colspan="3">DRAWING</th> <th>SHEET</th> </tr> </thead> <tbody> <tr> <td>A2</td> <td></td> <td></td> <td>VERSION</td> <td>STATUS</td> <td>REVISION</td> <td>VERSION</td> <td>STATUS</td> <td>REVISION</td> <td>1 OF 1</td> </tr> <tr> <td></td> <td></td> <td></td> <td>00</td> <td>RE</td> <td>A</td> <td>00</td> <td>RE</td> <td>A</td> <td></td> </tr> </tbody> </table>		SIZE	WORK AREA	BSA	MODEL	DRAWING			SHEET	A2			VERSION	STATUS	REVISION	VERSION	STATUS	REVISION	1 OF 1				00	RE	A	00	RE	A	
DENSITY	g/mm ³																																						
MASS	grams																																						
VOLUME	mm ³																																						
SURFACE AREA	mm ²																																						
SIZE	WORK AREA	BSA	MODEL	DRAWING			SHEET																																
A2			VERSION	STATUS	REVISION	VERSION	STATUS	REVISION	1 OF 1																														
			00	RE	A	00	RE	A																															