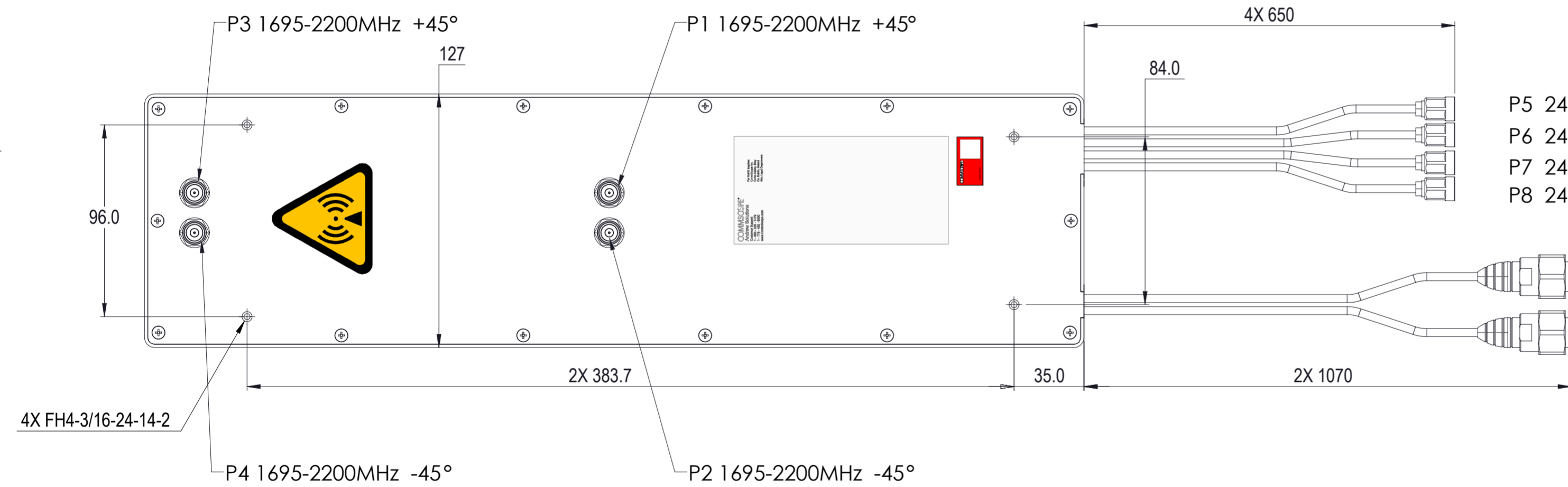
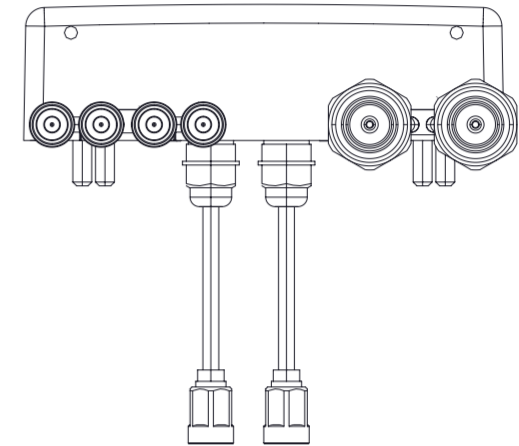


REVISIONS			
REV.	DESCRIPTION	DATE	APPROVED
A	ECR 16887PC: REL TO PRODUCTION PER EAO 610742.	28FEB22 GXY	YXW / XZJ



- P5 2496-2690MHz +45°
- P6 2496-2690MHz -45°
- P7 2496-2690MHz +45°
- P8 2496-2690MHz -45°
- P9 5150-5925MHz +45°
- P10 5150-5925MHz -45°

HHTTP-65T-F-V2

COMMSCOPE, INC. OF NORTH CAROLINA

TOLERANCES		SAP MATERIAL MASTER	
0 PLACE X ±	2 PLACE .XX ±		
1 PLACE .X ±	ANGLES ±		
FINISH		MATERIAL	
<small>UNLESS OTHERWISE SPECIFIED DIMENSIONS ARE IN MILLIMETERS INTERPRET PER ISO STANDARDS HANDBOOK TECHNICAL DRAWINGS VOLUMES 1 &amp; 2, THIRD EDITION (2002)</small>		NAME	DATE
		CE XG1026	02/28/2022
		RW XG1026	02/28/2022
		AD	
TITLE		SCALE	
PRODUCT DRAWING		1:5	
DOCUMENT NO.		DRAWING	
HHTTP-65T-F-V2-L		REVISION	
SIZE	Auth Group	BSA	MODEL
A2			VERSION
		STATUS	REVISION
		VERSION	STATUS
		REVISION	REVISION
		00	RE
		A	
		SHEET	
		1 OF 1	

DENSITY	g/mm <sup>3</sup>
MASS	grams
VOLUME	mm <sup>3</sup>
SURFACE AREA	mm <sup>2</sup>
HEIGHT	
LENGTH	
WIDTH	