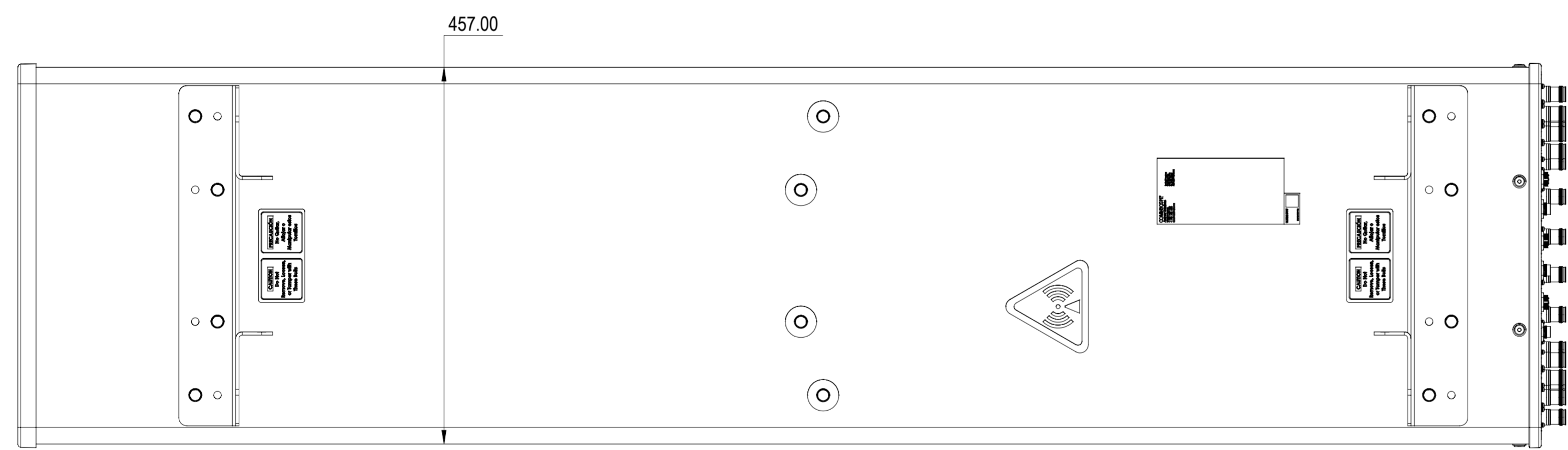
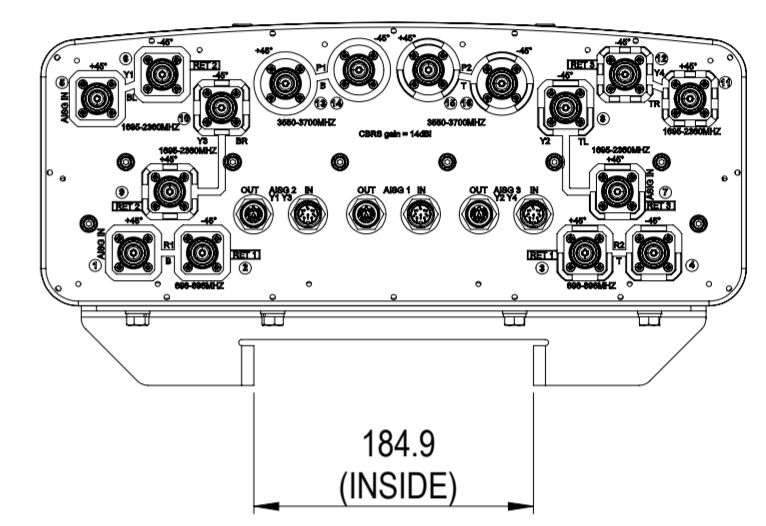
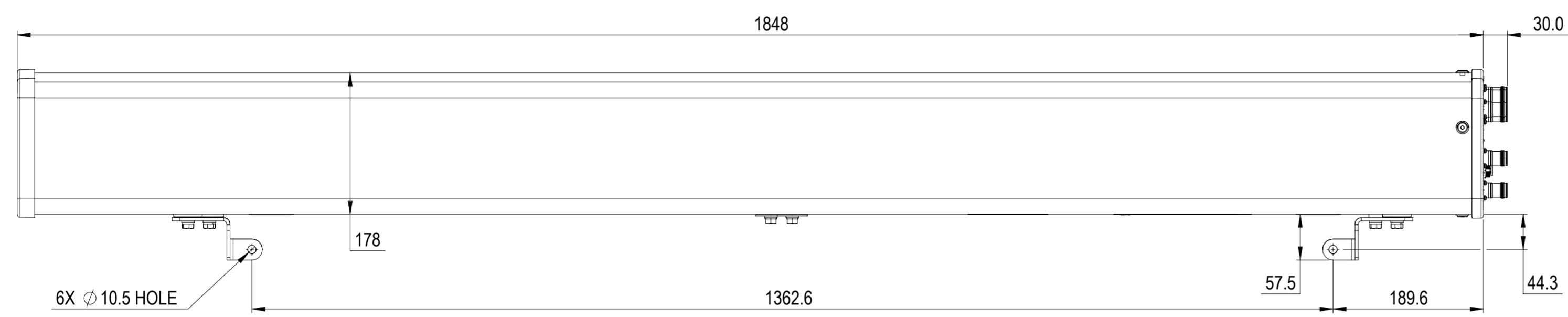


REVISIONS			
REV.	DESCRIPTION	DATE	APPROVED
A	ECR 14457PC: RELEASE TO PRODUCTION PER EAO 610031	28OCT21 PHS	MP/SAS

NOT RELEASED. DRAFT COPY



NNH4SS-45B-R3BT8

**COMMSCOPE, INC. OF NORTH CAROLINA**

TOLERANCES		SAP MATERIAL MASTER	
0 PLACE X ±	2 PLACE .XX ±		
1 PLACE .X ±	ANGLES ±		
FINISH		MATERIAL	
<small>UNLESS OTHERWISE SPECIFIED DIMENSIONS ARE IN MILLIMETERS INTERPRET PER ISO STANDARDS HANDBOOK TECHNICAL DRAWINGS VOLUMES 1 &amp; 2, THIRD EDITION (2002)</small>		NAME	DATE
		CE SPHARAKATE	10/28/2021
		AD	
		RE	
		ECN	
TITLE		SCALE	
<b>PRODUCT DRAWING</b>		DOCUMENT NO.	
		<b>NNH4SS-45B-R3BT8-L</b>	
SIZE	Auth Group	MODEL	DRAWING
<b>A2</b>		VERSION	STATUS
		REVISION	REVISION
		VERSION	STATUS
		REVISION	REVISION
		SHEET	
		1 OF 1	