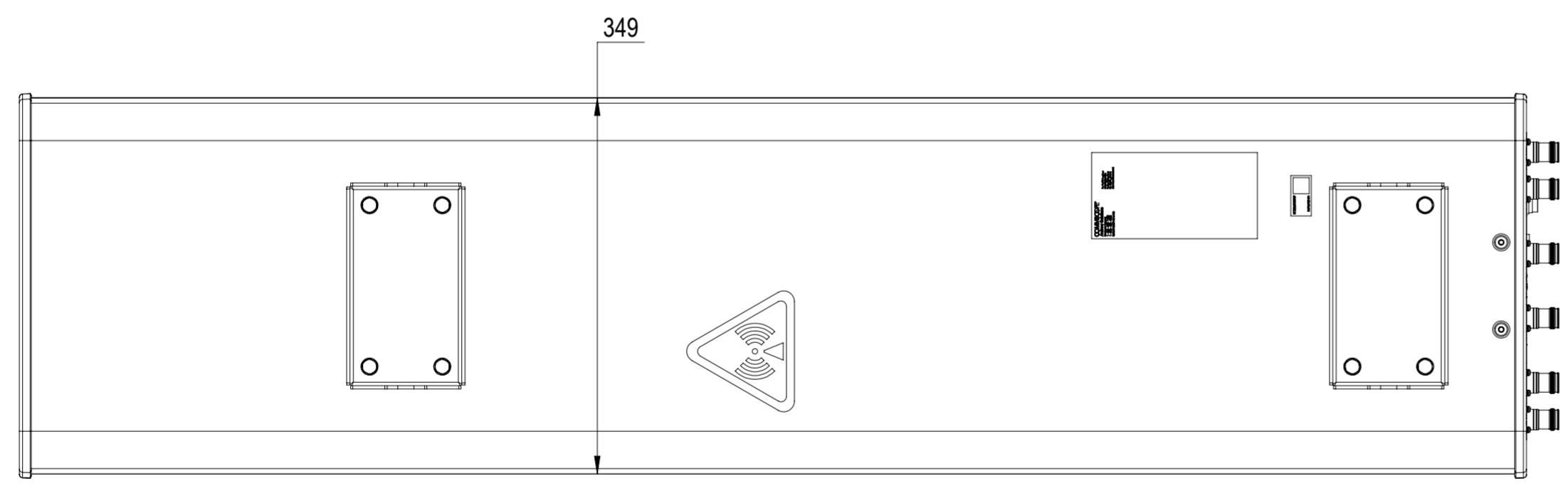
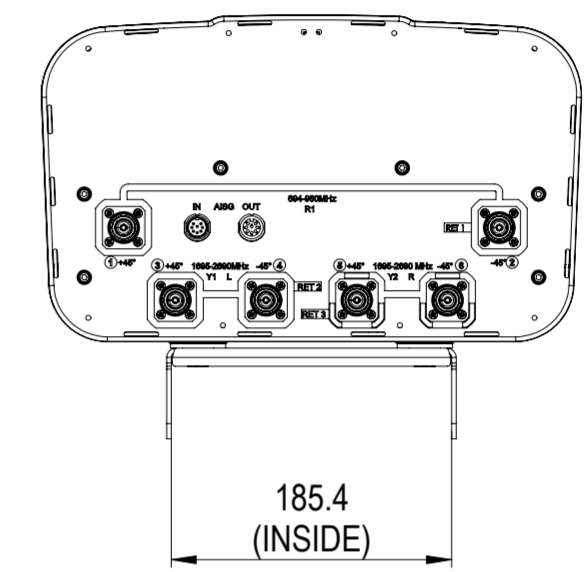
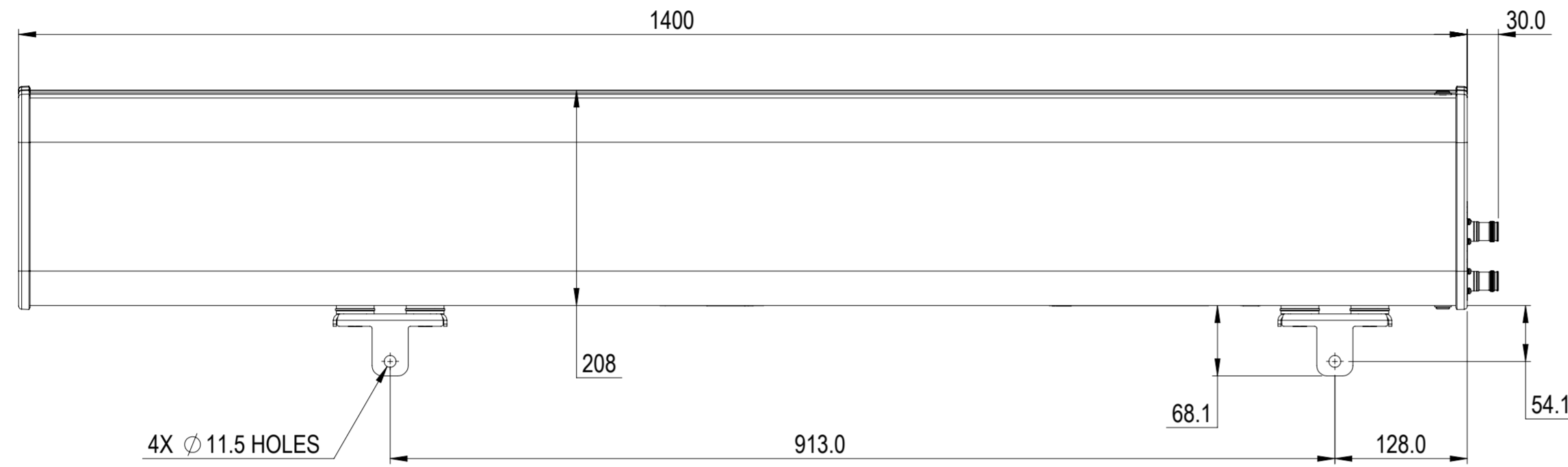


REVISIONS			
REV.	DESCRIPTION	DATE	APPROVED
A	ECR 8000025762: RELEASE TO PRODUCTION PER EAO 604560.	24OCT17 YZ	WZG / GPF



RVV-65A-R3

COMMSCOPE, INC. OF NORTH CAROLINA

TOLERANCES		SAP MATERIAL MASTER	
0 PLACE X ±	2 PLACE .XX ±		
1 PLACE .X ±	ANGLES ±		
FINISH		MATERIAL	
<small>UNLESS OTHERWISE SPECIFIED DIMENSIONS ARE IN MILLIMETERS INTERPRET PER ISO STANDARDS HANDBOOK TECHNICAL DRAWINGS VOLUMES 1 & 2, THIRD EDITION (2002)</small>		NAME	DATE
		CE YZ	24OCT17
		TITLE	
		PRODUCT DRAWING	
		SCALE	DOCUMENT NO.
		1:5	RVV-65A-R3-L
		ECN 8000025762-O	
SIZE	WORK AREA	MODEL	
A2	23	VERSION	DRAWING
		00	STATUS
		IW	REVISION
		A	VERSION
		00	STATUS
		IW	REVISION
		A	
			SHEET
			1 OF 1

DENSITY	g/mm ³
MASS	grams
VOLUME	mm ³
SURFACE AREA	mm ²
HEIGHT	
LENGTH	
WIDTH	

© 2017 CommScope, Inc.