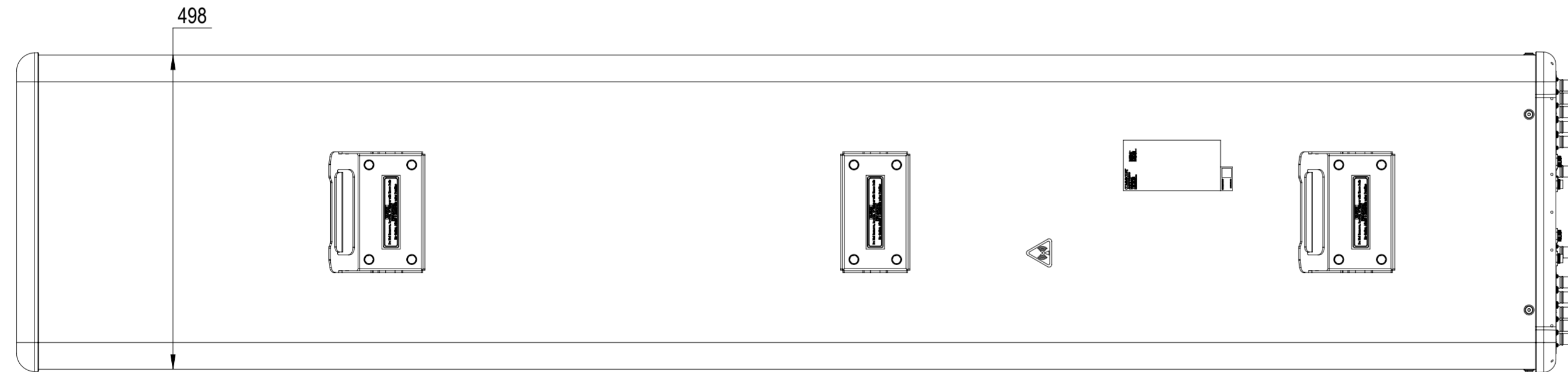
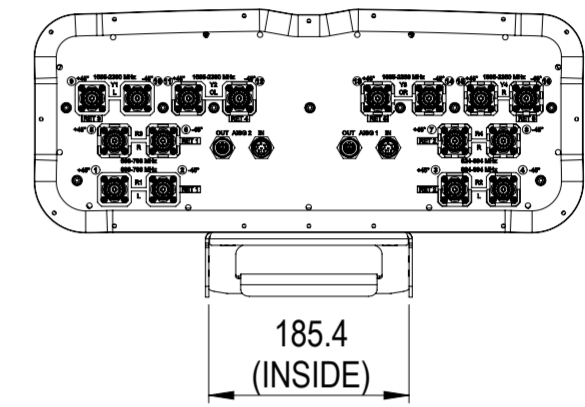
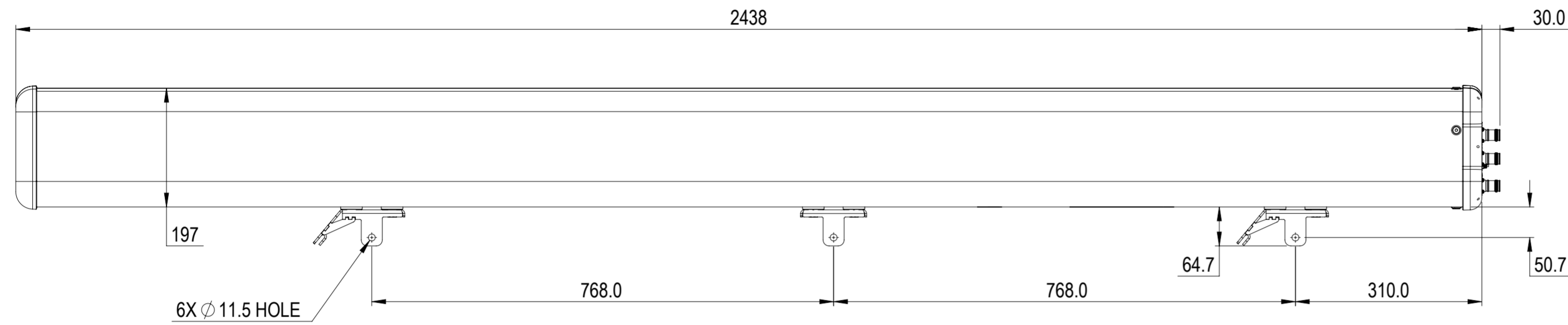


REVISIONS			
REV.	DESCRIPTION	DATE	APPROVED
A	ECR 16440: RELEASE TO PRODUCTION PER EAO 610621.	09FEB22 AT	SM/SUS



JJAAH4-65C-R6

COMMSCOPE, INC. OF NORTH CAROLINA

TOLERANCES		SAP MATERIAL MASTER	
0 PLACE X ±	2 PLACE .XX ±		
1 PLACE .X ±	ANGLES ±		
FINISH		MATERIAL	

UNLESS OTHERWISE SPECIFIED DIMENSIONS ARE IN MILLIMETERS INTERPRET PER ISO STANDARDS HANDBOOK TECHNICAL DRAWINGS VOLUMES 1 & 2, THIRD EDITION (2002)	NAME	DATE	PRODUCT DRAWING
	CE AT1078	02/09/2022	
	RW AT1078	02/11/2022	
	AD SMADDULA	02/11/2022	
	RE RK1070	02/11/2022	
ECN 16440PC			SCALE: 1:7 DOCUMENT NO.: JJAAH4-65C-R6-L

DENSITY	g/mm ³		
MASS	grams		
VOLUME	mm ³		
SURFACE AREA	mm ²		
HEIGHT		SIZE	Auth Group BSA
LENGTH			
WIDTH		VERSION	MODEL
		00	RE
		REVISION	DRAWING
		A	VERSION STATUS REVISION
			00 RE A
			SHEET
			1 OF 1