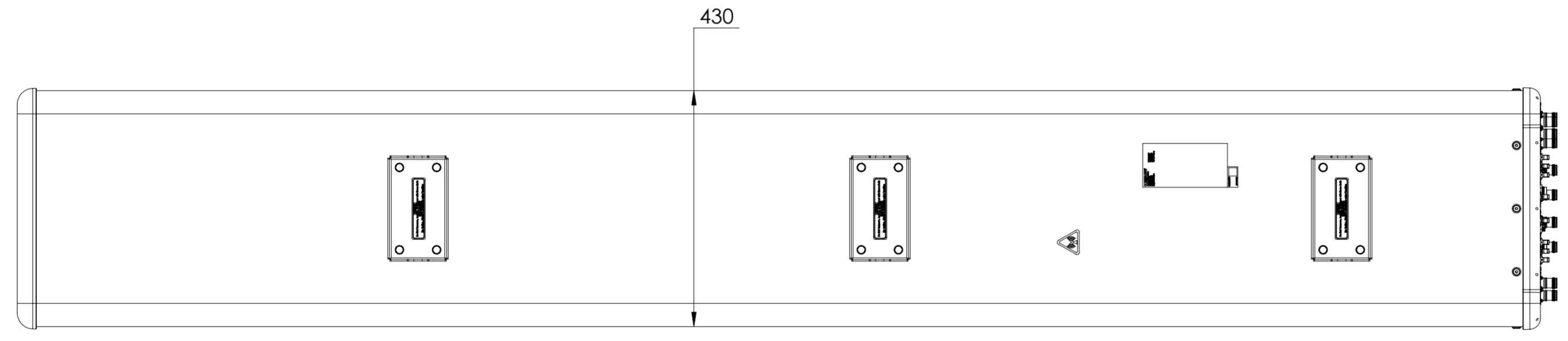
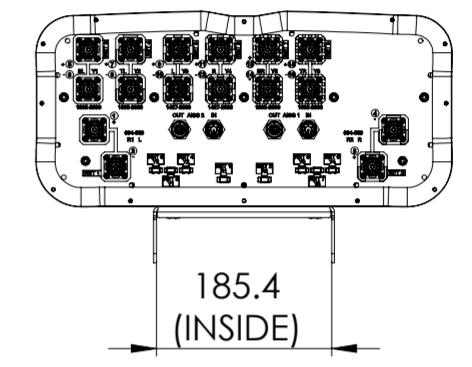
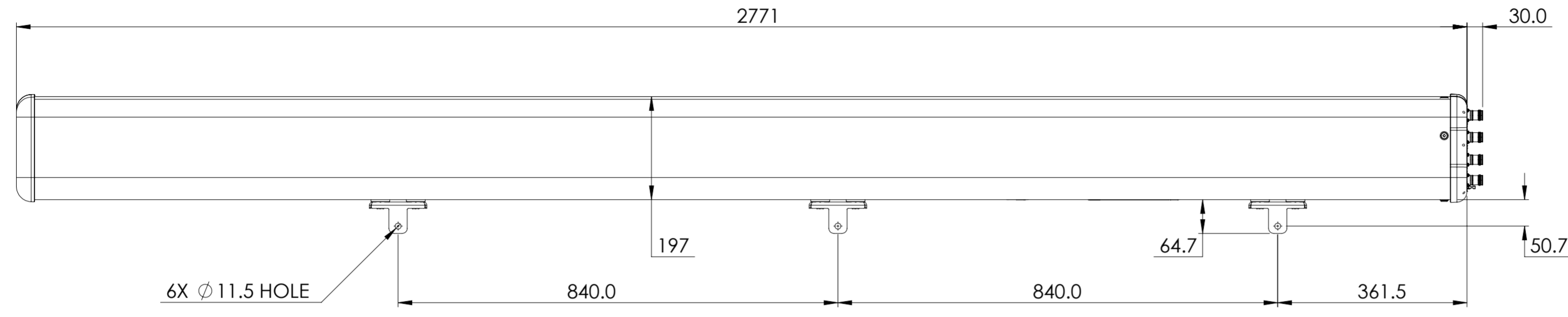


REVISIONS			
REV.	DESCRIPTION	DATE	APPROVED
A	ECR 8000040887: RELEASE TO PRODUCTION PER EAO 607858.	10AUG20 YLL	DYANG /DHH
B	ECR 8000044523: UPDATE DRAWING WITH LATEST MODEL.	08JAN21 RY	DM.WANG/YZLI
C		11/8/2022	



RRZZV4-65D-R8N43

**COMMScope, INC. OF NORTH CAROLINA**

TOLERANCES		SAP MATERIAL MASTER	
0 PLACE	X ±	SEE NOTE 1	2 PLACE .XX ±
1 PLACE	.X ±	ANGLES ±	
FINISH		MATERIAL	
<small>UNLESS OTHERWISE SPECIFIED DIMENSIONS ARE IN MILLIMETERS INTERPRET PER ISO STANDARDS HANDBOOK TECHNICAL DRAWINGS, VOLUMES 1 &amp; 2, THIRD EDITION (2002)</small>		NAME	DATE
		CE YLL	8/10/2020
		RW RY1017	01/11/2021
		AD YL1022	01/11/2021
		RE XIAOWANG	01/12/2021
ECN 8000044523-O		SCALE	DOCUMENT NO.
		1:8	RRZZV4-65D-R8N43-L
SIZE		Auth Group	BSA
A2			
HEIGHT		MODEL	
LENGTH		VERSION	STATUS
WIDTH		02	RE
		REVISION	C
		VERSION	01
		STATUS	RE
		REVISION	B
		DRAWING	
		SHEET	
		1 OF 1	