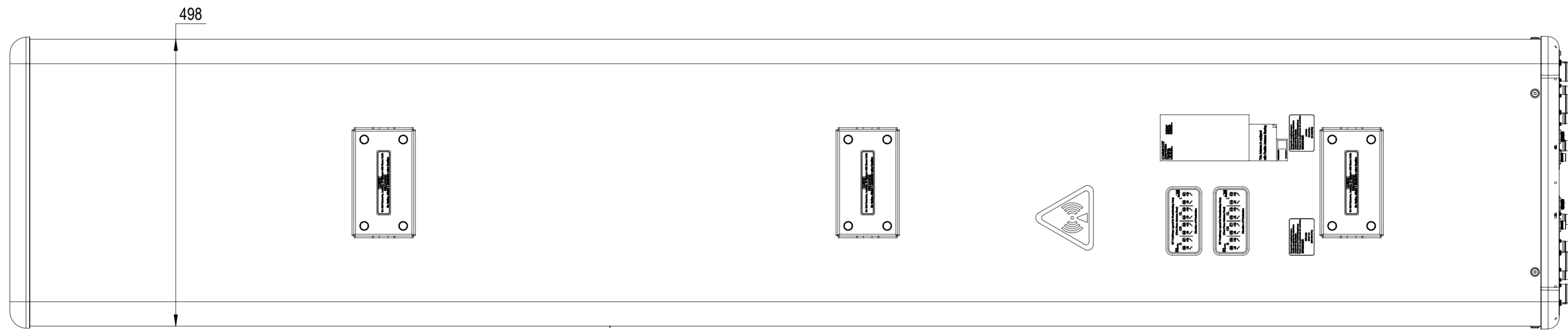
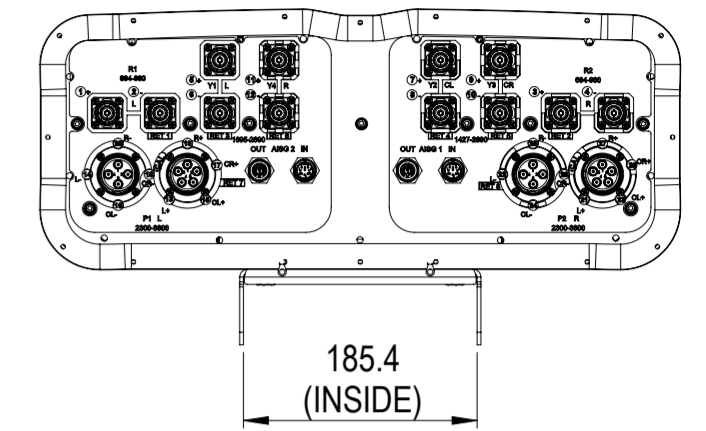
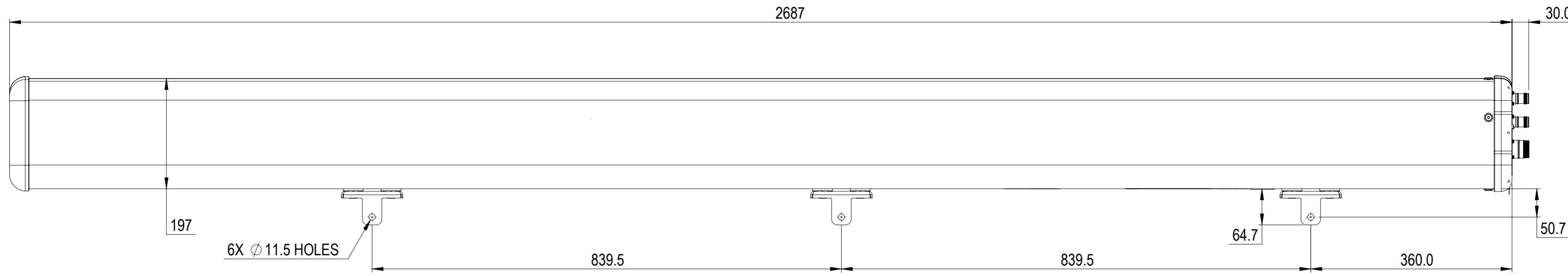


REVISIONS			
REV.	DESCRIPTION	DATE	APPROVED
A	ECR 17255PC: RELEASE TO PRODUCTION PER EAO 610626.	29JUL22 CMY	XA.FU/RRZHANG



RRZZVVQ4Q4-65DR8V4

<b>COMMSCOPE, INC. OF NORTH CAROLINA</b>									
TOLERANCES					SAP MATERIAL MASTER				
0 PLACE X ±		2 PLACE .XX ±							
1 PLACE .X ±		ANGLES ±							
FINISH					MATERIAL				
UNLESS OTHERWISE SPECIFIED DIMENSIONS ARE IN MILLIMETERS INTERPRET PER ISO STANDARDS HANDBOOK TECHNICAL DRAWINGS, VOLUMES 1 & 2, THIRD EDITION (2002)	NAME	DATE	TITLE						
	CE MC1105	07/25/2022	<b>PRODUCT DRAWING</b>						
	RW XL1029	08/16/2022							
	AD XF1003	08/17/2022							
	RE ZHHCHEN	08/17/2022							
ECN 17255PC									
SCALE	DOCUMENT NO.								
<b>1:6</b>	<b>RRZZVVQ4Q4-65DR8V4-L</b>								
SIZE	Auth Group	BSA	MODEL		DRAWING			SHEET	
<b>A2</b>			VERSION	STATUS	REVISION	VERSION	STATUS	REVISION	1 OF 1
			00	RE	A	00	RE	A	