

4

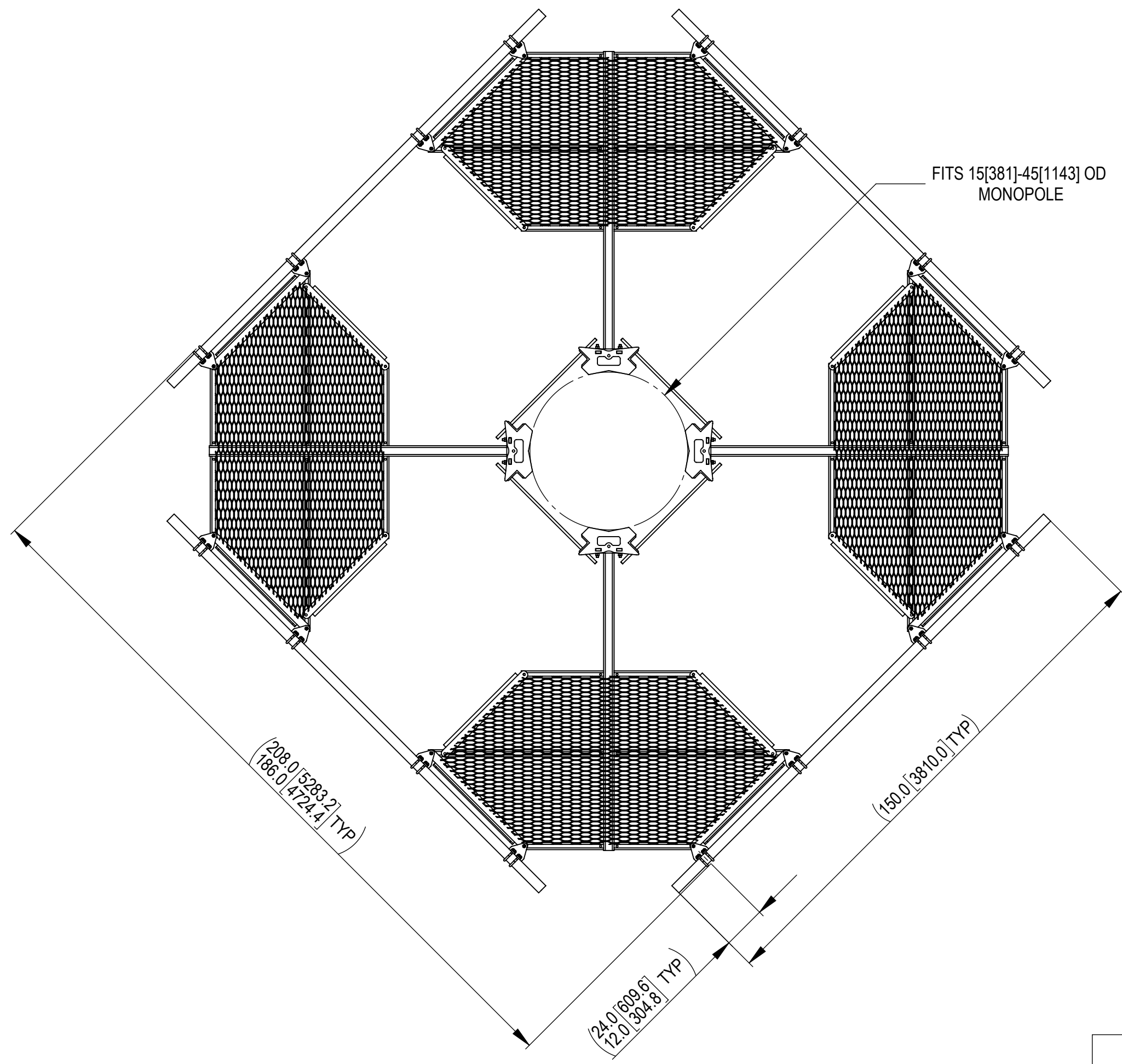
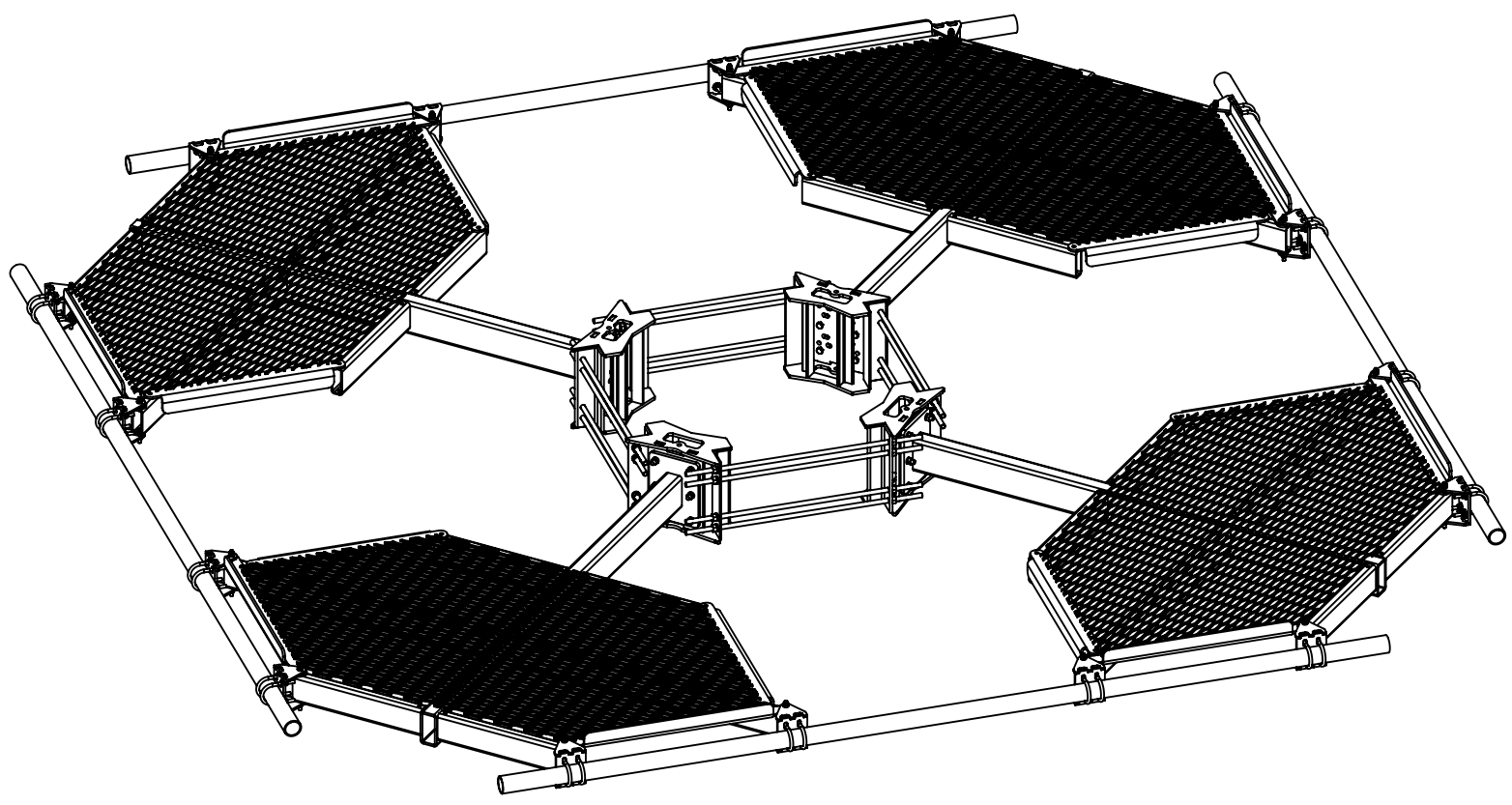
3

2

1

- 1.0 GENERAL NOTES
 1.1 ALL METRIC DIMENSIONS ARE IN BRACKETS [X. X]
 1.2 FOR PATENT INFO: <https://www.cs-pat.com>
 2.0 DESIGN NOTES
 2.1 USE DRAWING MC-RMHD-1545-4 TO ASSEMBLE RING MOUNT
 2.2 ANY HAZARDS OR OBSTRUCTIONS TO THE CLIMBING FACILITY AND SAFETY CLIMB MUST BE IDENTIFIED PRIOR TO INSTALLING THE APPURTENANCE. ADDITIONAL PRODUCTS MAY BE REQUIRED TO MAINTAIN THE INTEGRITY OF THE SAFETY CLIMB. DURING INSTALLATION, TEMPORARY AND/OR PERMANENT PRECAUTIONARY MEASURES SHOULD BE TAKEN TO PRESERVE THE CLIMBING FACILITY AND/OR SAFETY CLIMB.
 3.0 MANUFACTURING/SPECIAL REQUIREMENTS
 3.1 TIGHTEN ALL BOLTS SECURING FLAT PLATES BY THE TURN-OF-NUT METHOD. TIGHTEN ALL U-BOLTS USING TURN-OF-NUT METHOD WITH ATTENTION TO LEAVE EQUAL DISTANCE AND EQUAL FORCE ON EACH LEG OF THE U-BOLT.
 4.0 TEST
 5.0 PACKAGING
 5.1 PACKAGING SHALL MEET COMMSCOPE REQUIREMENTS PER DOCUMENT IS-PL-3005
 5.2 PRINTED DOCUMENT TO BE PLACED INSIDE POLYBAG AND THEN IN SHIPPING CONTAINER
 5.3 EXTRA HARDWARE MAYBE SUPPLIED, BAGGED AND SHIPPED

REVISIONS			
REV.	DESCRIPTION	DATE	APPROVED
A	INITIAL RELEASE	YMENG 31AUG21	BA1025 14658
B	MCPM-2005-00 WAS MCPM-2000-00, GB-0524A WAS GB-0522A, ALL U-BOLTS CHANGED TO GUB-4352	JYANG4 23SEP22	BA1025 40156827CMO



COMMSCOPE, INC. OF NORTH CAROLINA							
TOLERANCES			SAP MATERIAL MASTER				
1 PLACE .X[X] ± 0.25[6.3]	3 PLACE .XXX[X] ± 0.060[1.5]	MC-PM12M4-B					
2 PLACE .XX[X] ± 0.12[3.0]	ANGLES ± 2°						
FINISH			MATERIAL				
UNLESS OTHERWISE SPECIFIED DIMENSIONS ARE IN INCHES INTERPRET PER ANSI Y 14.5M-1994			ATLAS4, 12' FP, NO ANT PIPE				
CE	YMENG	08/31/2021				TITLE	
RW	YMENG	10/10/2022				SCALE	
AD	BA1025	10/13/2022				DOCUMENT NO.	
RE	YMENG	01/11/2023				MC-PM12M4-B	
ECN 40156827CMO			SHEET				
SIZE	Auth Group	INSL	MODEL		DRAWING		
C			VERSION	STATUS	REVISION		
			01	RE	B		
			VERSION	STATUS	REVISION		
			01	RE	B		
			SHEET		1 OF 6		

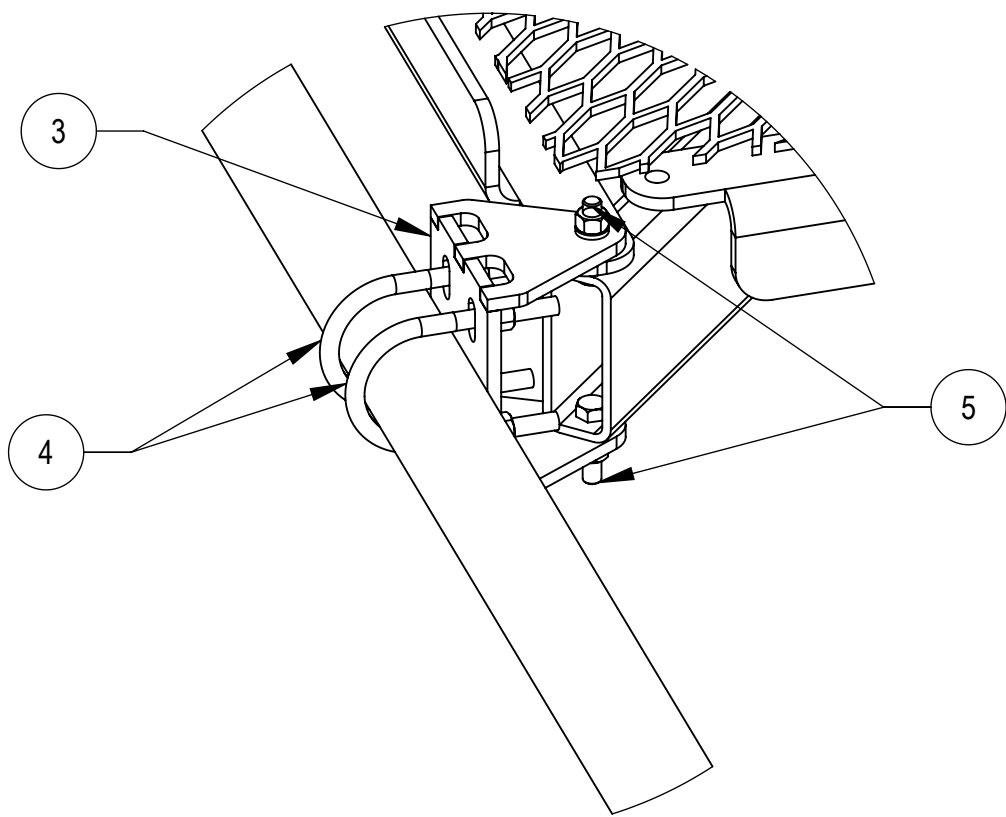
DENSITY	2718.49	lbs/in ³
MASS	2718.49	lbs
VOLUME	10677.85	in ³
SURFACE AREA	78495.37	in ²
HEIGHT	15[381]	
LENGTH	208[5283]	
WIDTH	208[5283]	

4

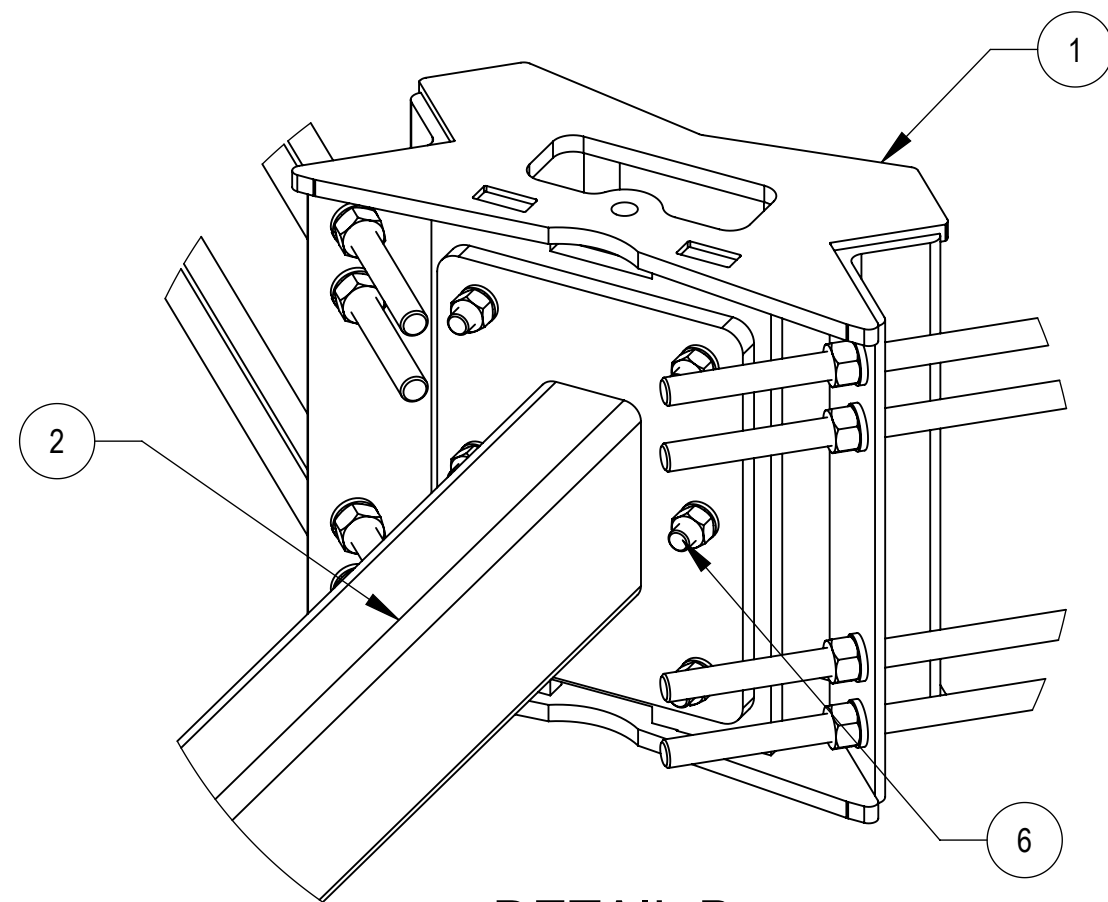
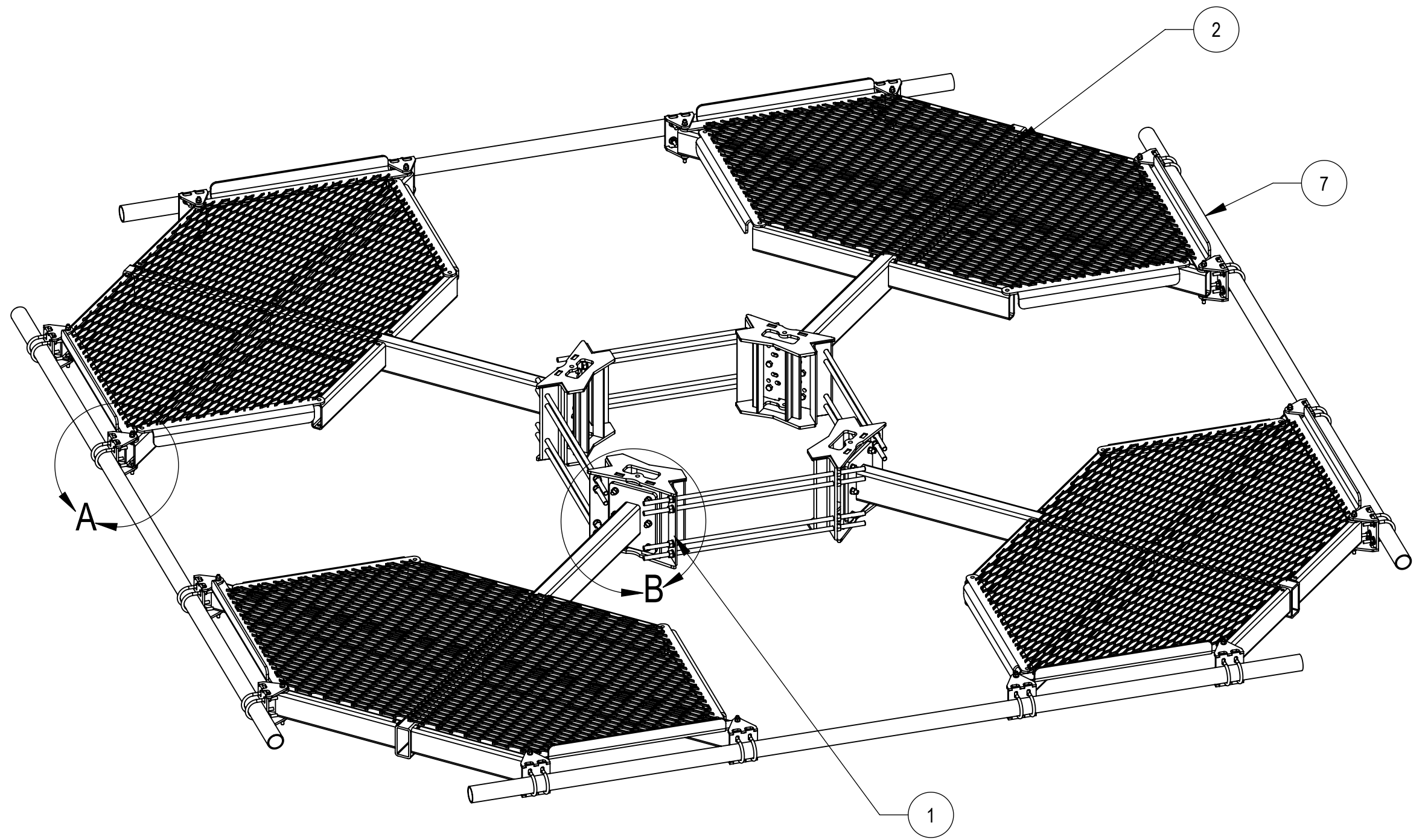
3

2

1



DETAIL A
SCALE 1 : 5



DETAIL B
SCALE 1 : 5

COMPONENT PART NUMBERS PROVIDED FOR ASSEMBLY PURPOSES;
INDIVIDUAL COMPONENTS MAY BE SHIPPED AS PARTS WITHIN AN INCLUDED KIT.

ITEM	PART NO.	DESCRIPTION	QTY.	WEIGHT	NOTE NO.
1	MC-RMHD-1545-4	4 SECTOR RING MOUNT, 15"-45" POLE	1	386.57LBS	
2	MC-PM4-2000	WELDMENT, CO-LOCATION PLATFORM	4	477.02 LBS	
3	MCPM-2005-00	BRACKET, PIPE MOUNTING	16	5.47 LBS	
4	GUB-4352	1/2" X 3" X 5-1/4" GALV U-BOLT	32	0.71 LBS	
5	GB-04205	1/2" X 2" GALV BOLT KIT	32	0.16 LBS	
6	GB-0524A	5/8" X 2-1/2" GALV BOLT KIT (A325)	24	0.30 LBS	
7	MT-546-150	PIPE, 2.875"OD X 150"	4	72.67 LBS	



COMMSCOPE, INC. OF NORTH CAROLINA

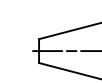
TITLE

ATLAS4, 12' FP,NO ANT PIPE

SIZE
C

SCALE
1:48

DOCUMENT NO.
MC-PM12M4-B



DRAWING			SHEET 2 OF 6
VERSION	STATUS	REVISION	
01	RE	B	

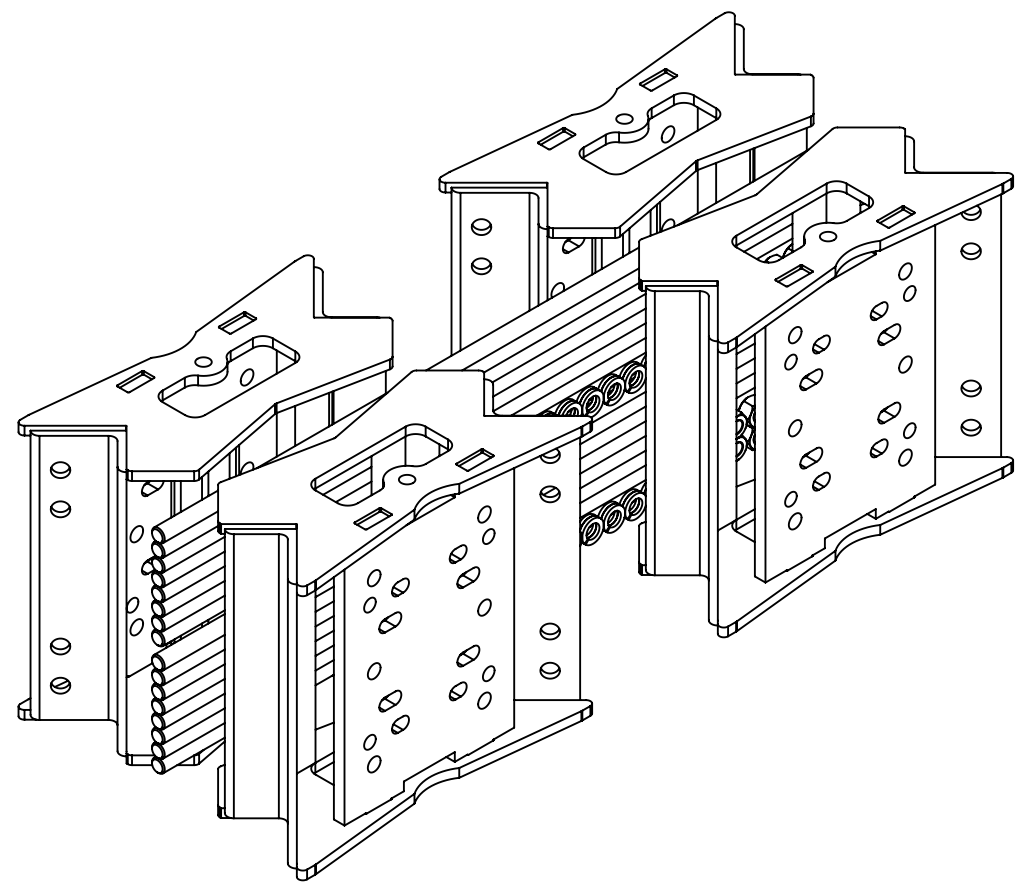
© 2022 CommScope, Inc. Confidential

4

3

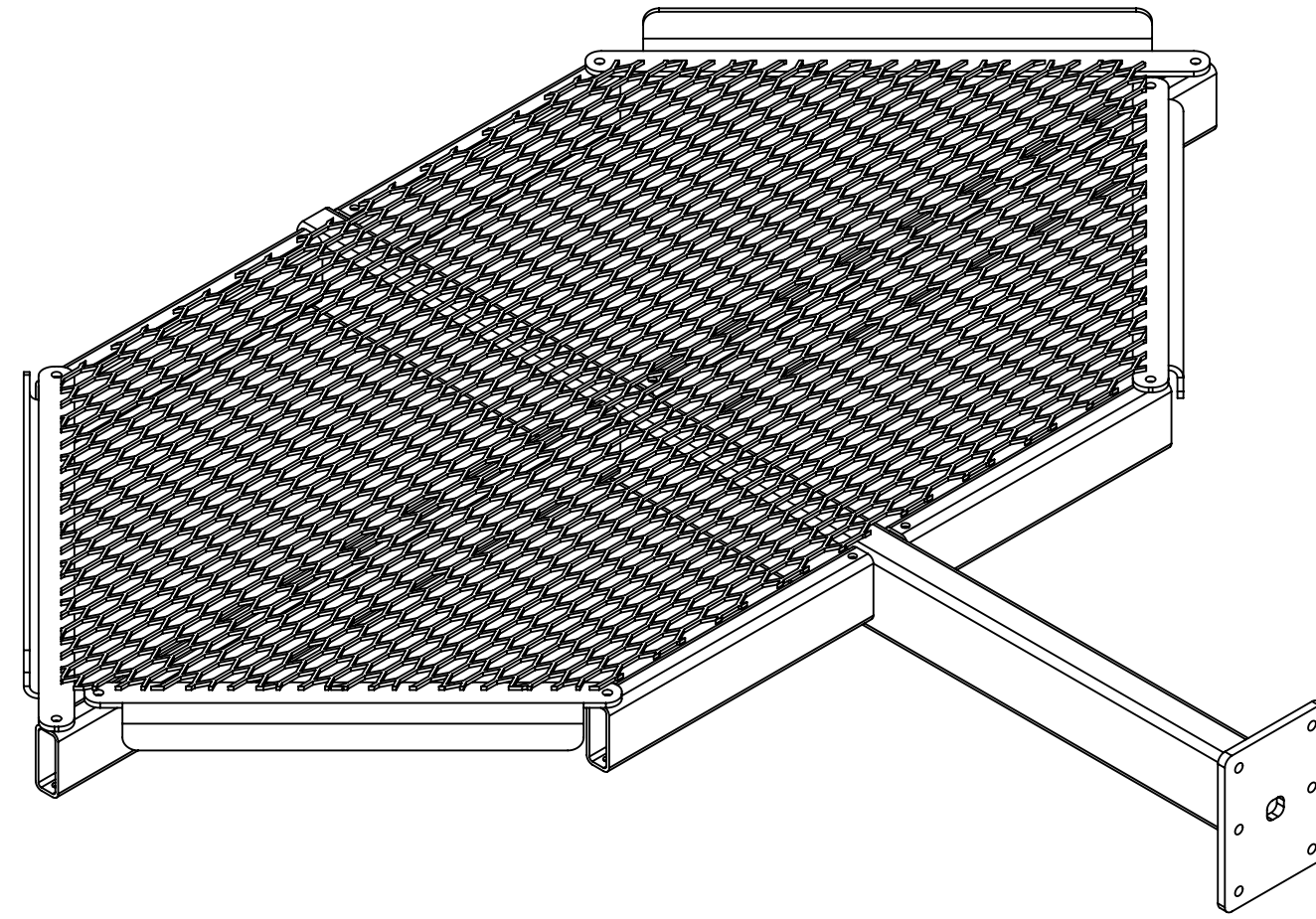
2

1



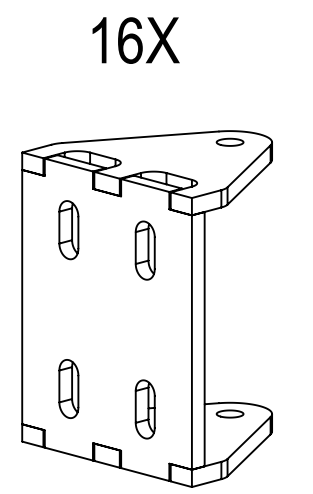
1X

MC-RMHD-1545-4
(INCLUDING 1X RMHD1545-4-1000, 16X MT38440, 32X GWL-06 AND 32X GN-06)



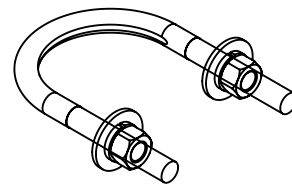
4X

MC-PM4-2000



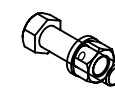
16X

MCPM-2005-00



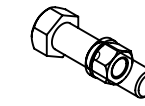
32X

GUB-4352



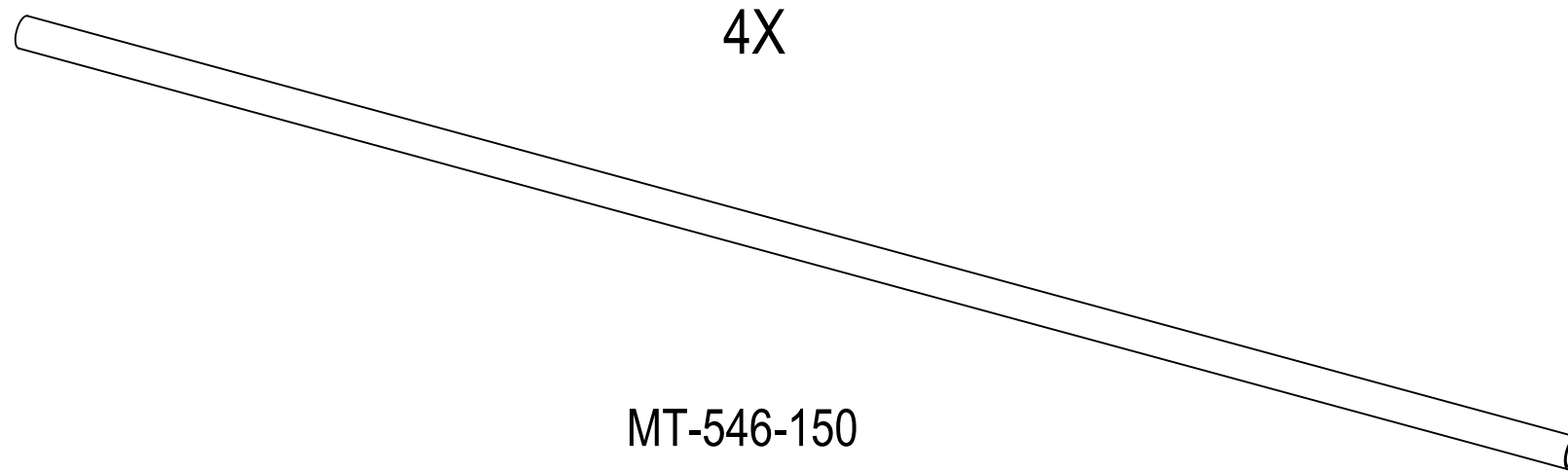
32X

GB-04205



24X

GB-0524A

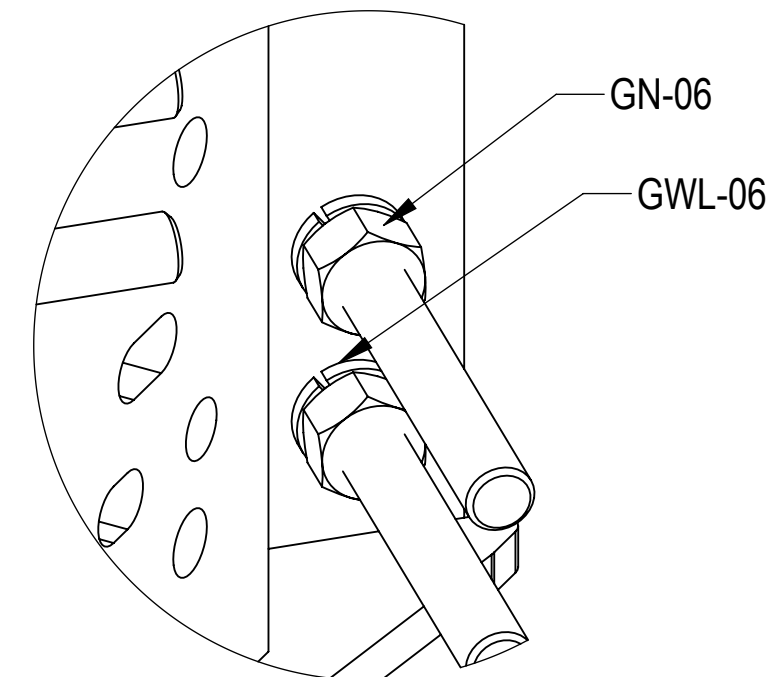
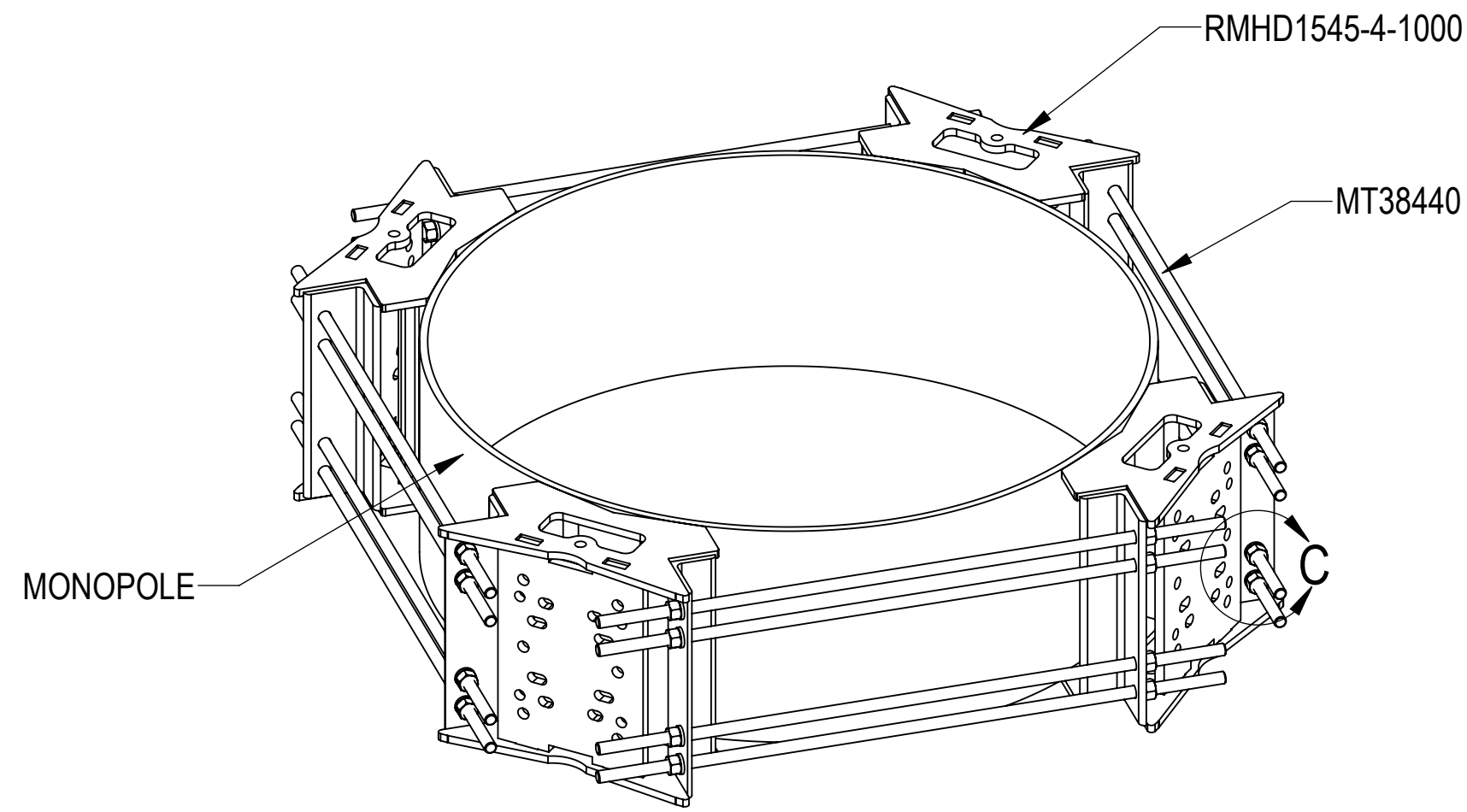


4X

MT-546-150

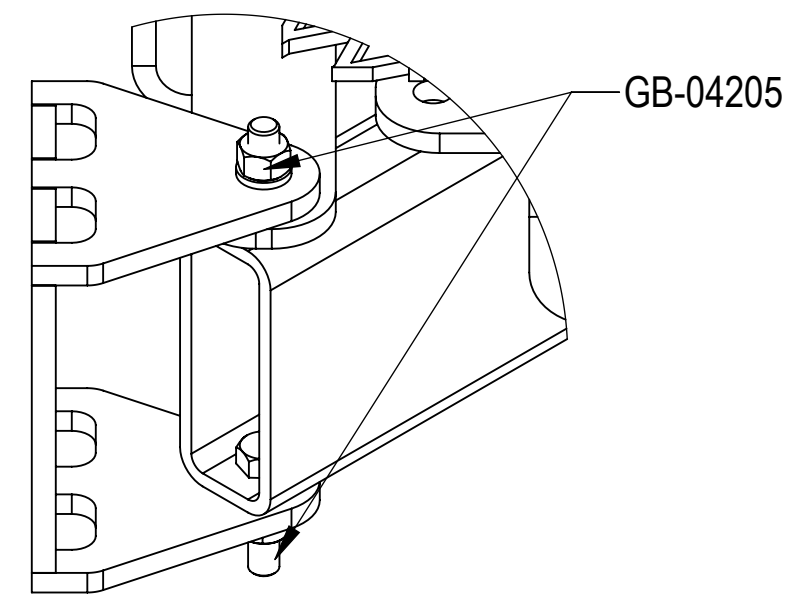
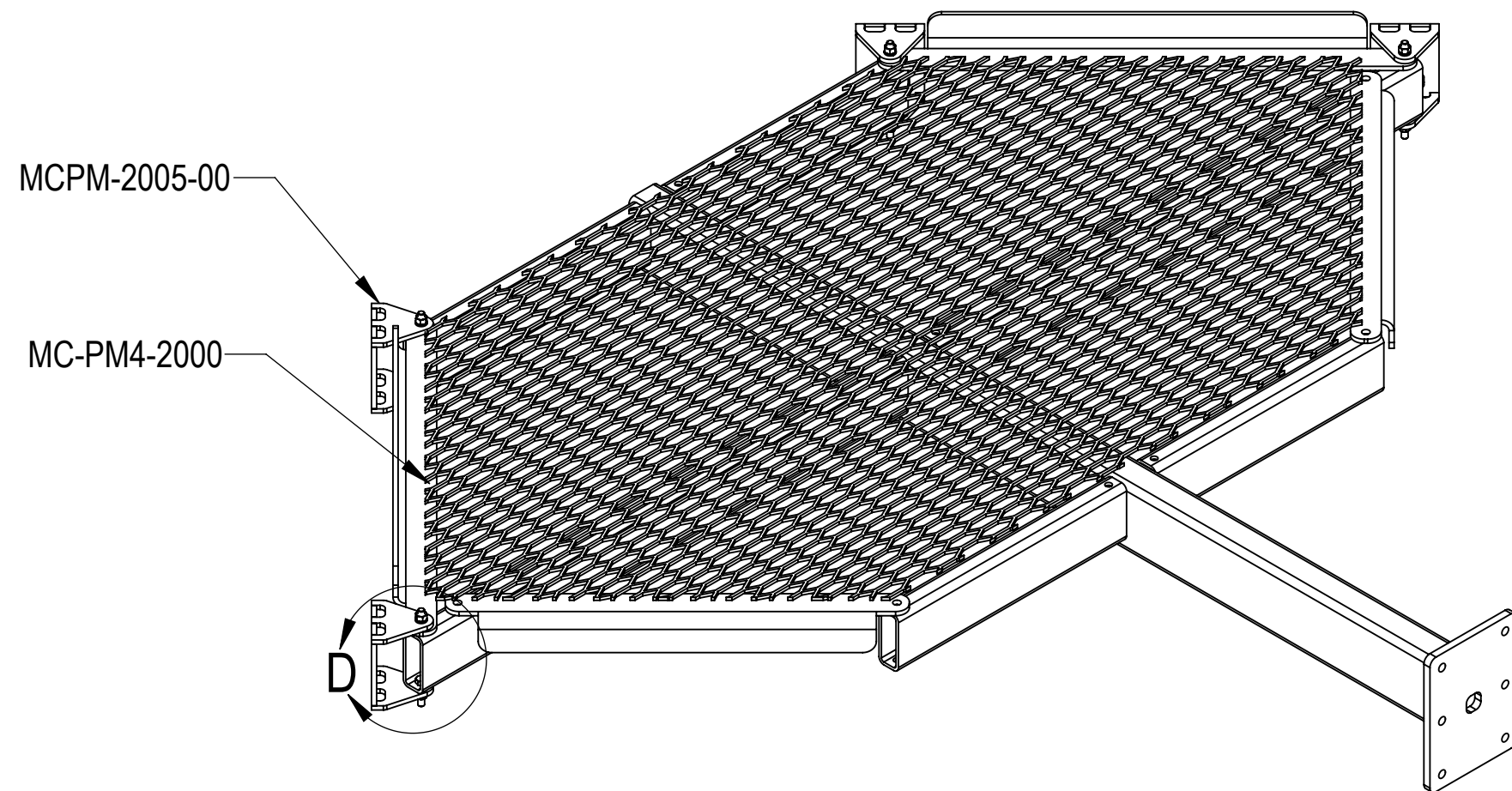
COMMSCOPE, INC. OF NORTH CAROLINA				
TITLE ATLAS4, 12' FP,NO ANT PIPE				
SIZE C	SCALE 1:8	DOCUMENT NO. MC-PM12M4-B		
		DRAWING		SHEET
		VERSION	STATUS	REVISION
		01	RE	B
				3 OF 6

STEP 1: ATTACH RING MOUNT SECTORS(RMHD1545-4-1000) TO MONOPOLE USING THREAD RODS (MT38440) AND NUT KITS (GWL-06 & GN-06)



DETAIL C
SCALE 1 : 2

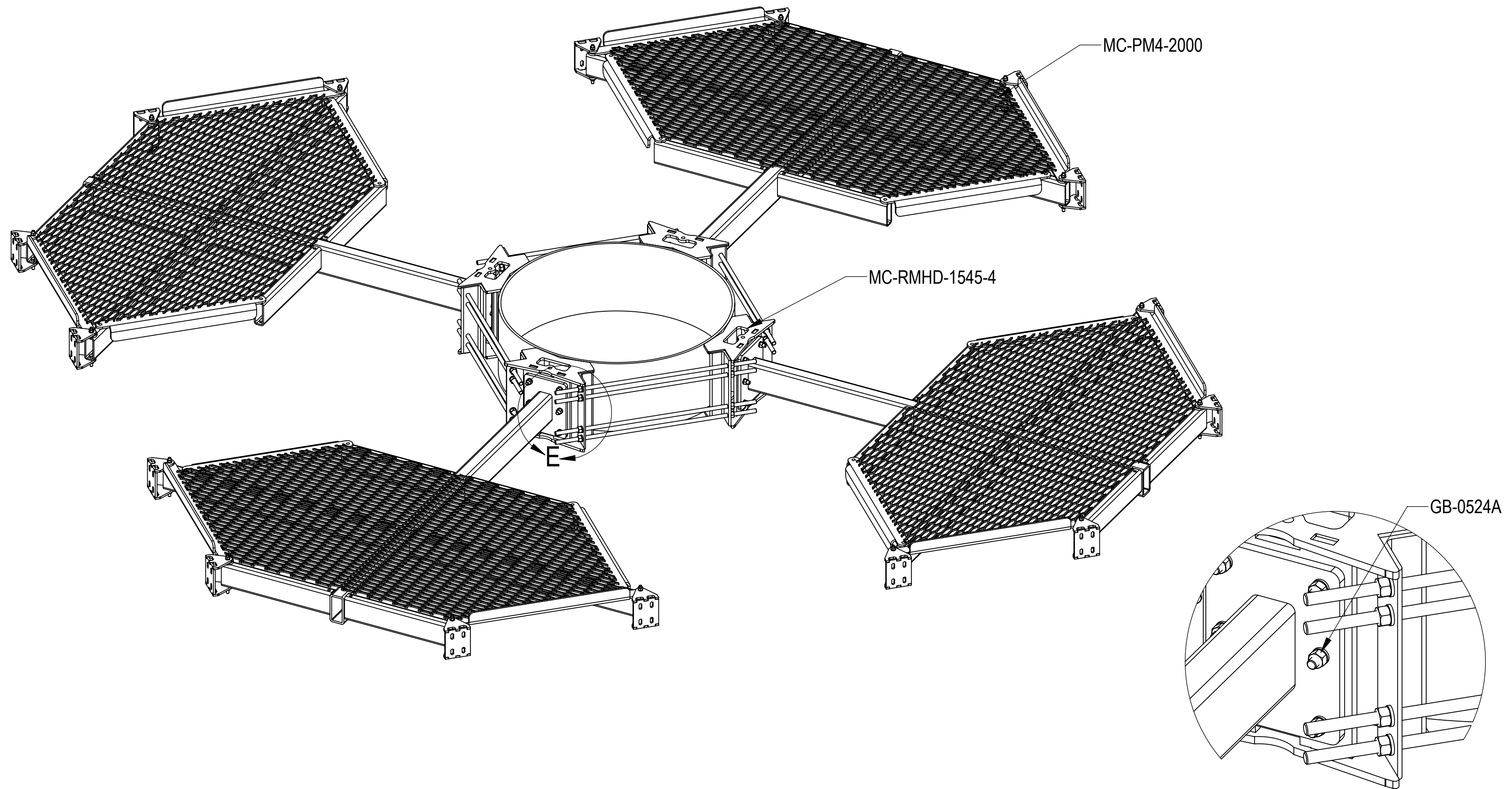
STEP 2: ATTACH PIPE MOUNTING BRACKETS (MCPM-2005-00) TO T-ARMS (MC-PM4-2000) USING BOLT KITS (GB-04205)



DETAIL D
SCALE 1 : 3

COMMSCOPE, INC. OF NORTH CAROLINA				
TITLE ATLAS4, 12' FP, NO ANT PIPE				
SIZE C	SCALE 1:48	DOCUMENT NO. MC-PM12M4-B		
		DRAWING		SHEET
		VERSION	STATUS	REVISION
		01	RE	B
				4 OF 6

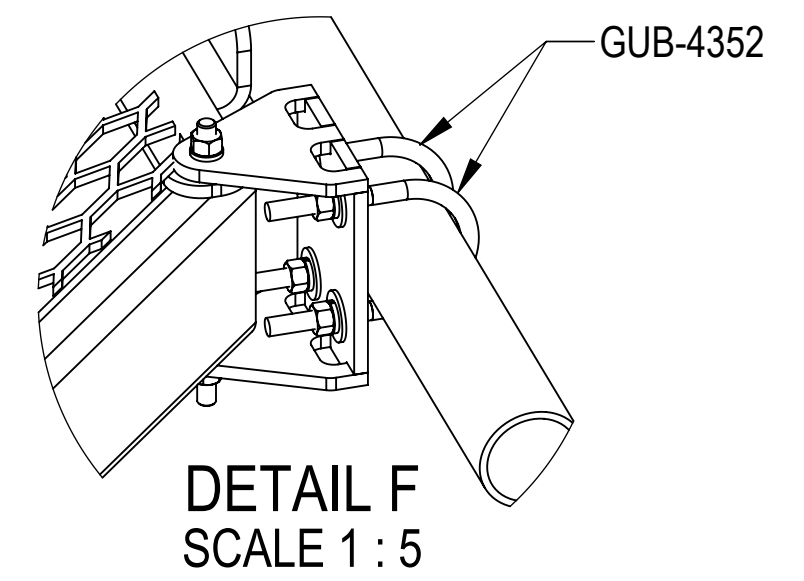
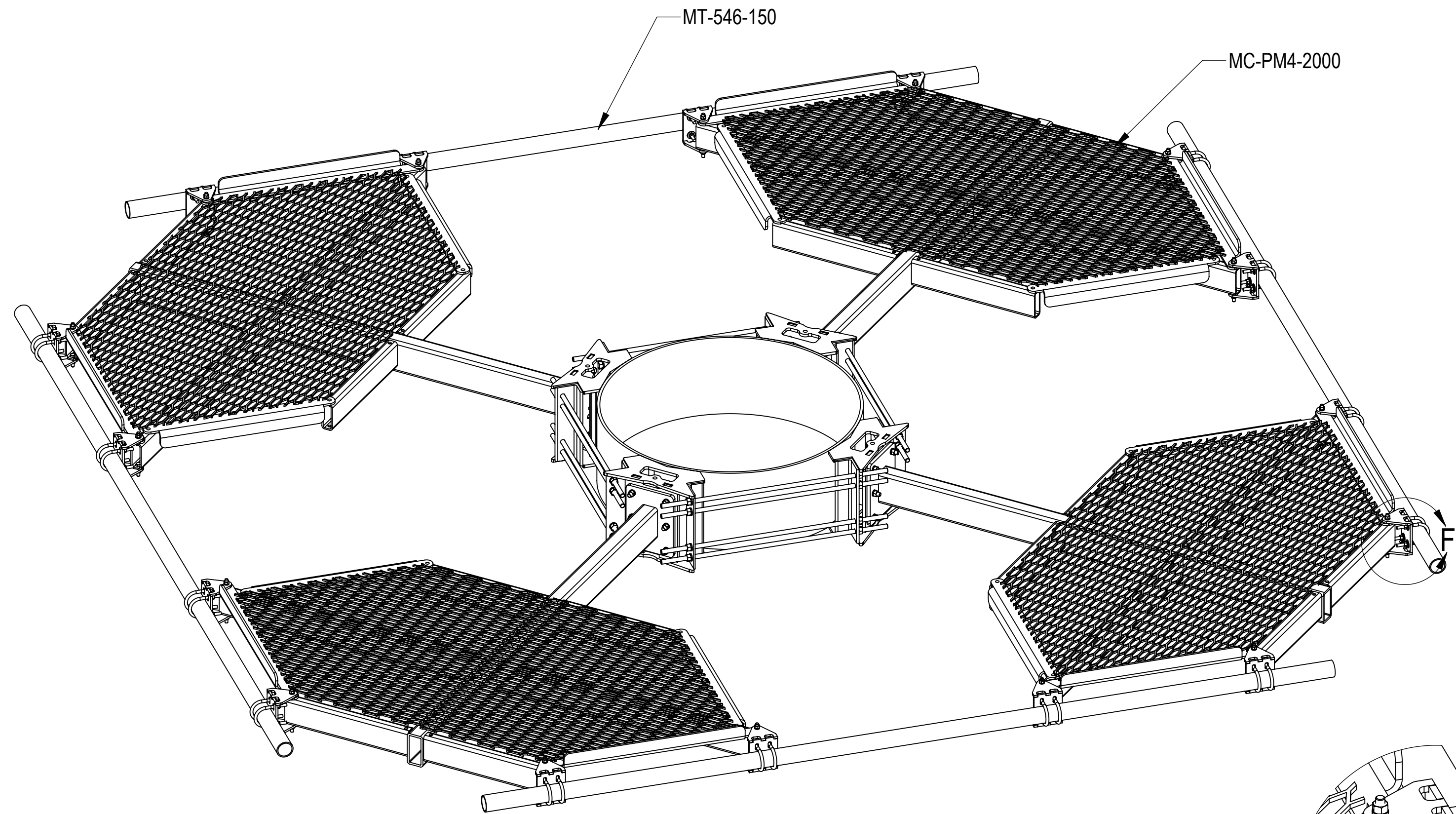
STEP 3: ATTACH T-ARMS (MC-PM4-2000) TO RING MOUNT (MC-RMHD-1545-4) USING BOLT KITS (GB-0524A)



DETAIL E
SCALE 1 : 5

COMMSCOPE, INC. OF NORTH CAROLINA				
TITLE ATLAS4, 12' FP, NO ANT PIPE				
SIZE C	SCALE 1:48	DOCUMENT NO. MC-PM12M4-B		
		DRAWING		SHEET
		VERSION	STATUS	REVISION
		01	RE	B
				SHEET 5 OF 6

STEP 4: ATTACH FACE PIPES (MT-546-150) TO T-ARMS (MC-PM4-2000) USING U-BOLT KITS (GUB-4352)



COMMSCOPE, INC. OF NORTH CAROLINA				
TITLE ATLAS4, 12' FP, NO ANT PIPE				
SIZE C	SCALE 1:48	DOCUMENT NO. MC-PM12M4-B		
		DRAWING		SHEET
		VERSION	STATUS	REVISION
		01	RE	B
				6 OF 6