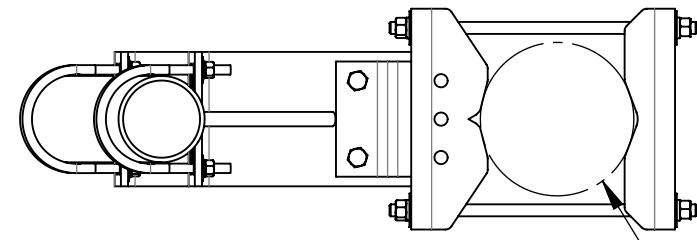
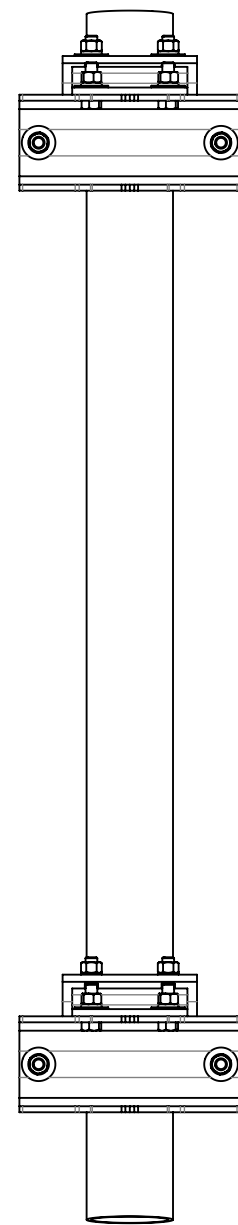


- 1.0 GENERAL NOTES
 - 1.1 ALL METRIC DIMENSIONS ARE IN BRACKETS [X. X]
 - 1.2 FOR PATENT INFO: <https://www.cs-pat.com>
- 2.0 DESIGN NOTES
 - 2.1 ANY HAZARDS OR OBSTRUCTIONS TO THE CLIMBING FACILITY AND SAFETY CLIMB MUST BE IDENTIFIED PRIOR TO INSTALLING THE APPURTENANCE. ADDITIONAL PRODUCTS MAY BE REQUIRED TO MAINTAIN THE INTEGRITY OF THE SAFETY CLIMB. DURING INSTALLATION, TEMPORARY AND/OR PERMANENT PRECAUTIONARY MEASURES SHOULD BE TAKEN TO PRESERVE THE CLIMBING FACILITY AND/OR SAFETY CLIMB.
- 3.0 MANUFACTURING/SPECIAL REQUIREMENTS
 - 3.1 TIGHTEN ALL BOLTS SECURING FLAT PLATES BY THE TURN-OF-NUT METHOD. TIGHTEN ALL U-BOLTS USING TURN-OF-NUT METHOD WITH ATTENTION TO LEAVE EQUAL DISTANCE AND EQUAL FORCE ON EACH LEG OF THE U-BOLT.
- 4.0 TEST
- 5.0 PACKAGING
 - 5.1 PACKAGING SHALL MEET COMMSCOPE REQUIREMENTS PER DOCUMENT IS-PL-3005
 - 5.2 PRINTED DOCUMENT TO BE PLACED INSIDE POLYBAG AND THEN IN SHIPPING CONTAINER
 - 5.3 EXTRA HARDWARE MAY BE SUPPLIED, BAGGED AND SHIPPED

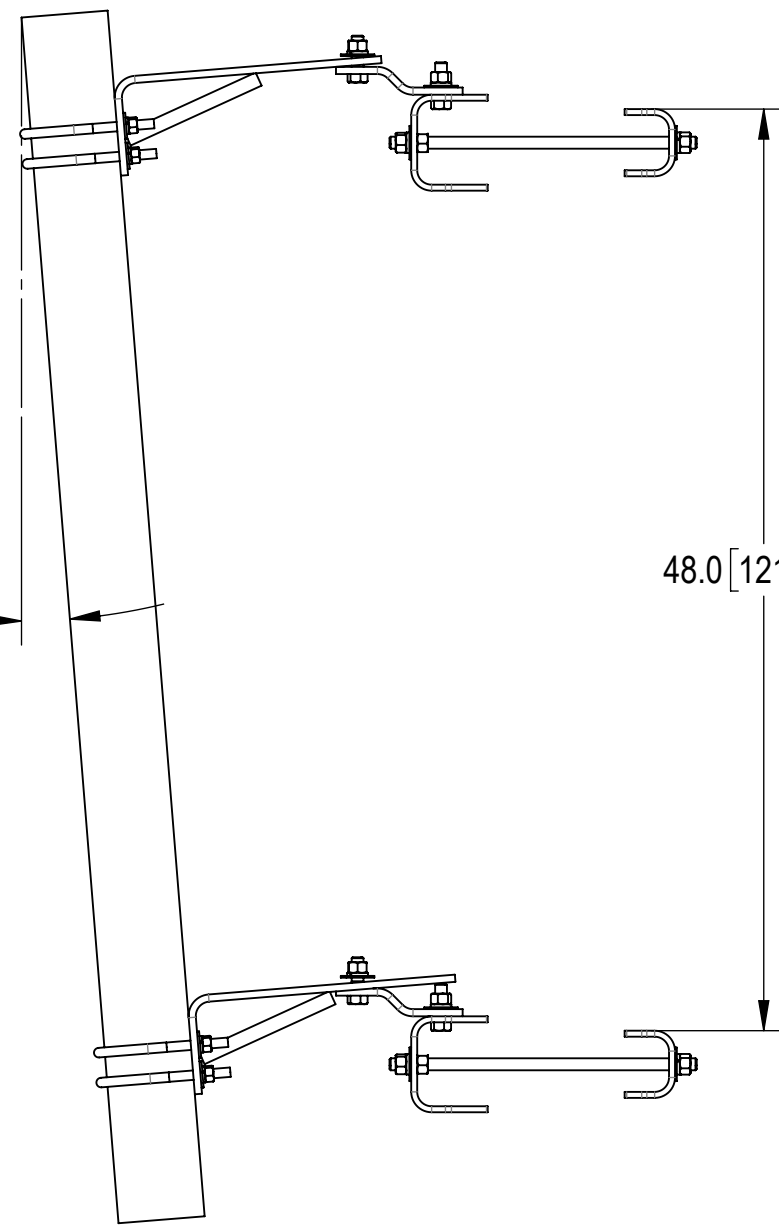
REVISIONS			
REV.	DESCRIPTION	DATE	APPROVED
F	MTC397522 WAS SMU208004; MTC397521 WAS SMU208006; HARDWARE UPDATED	YX1027 06MAY24	JAHAINES 40194907CMO



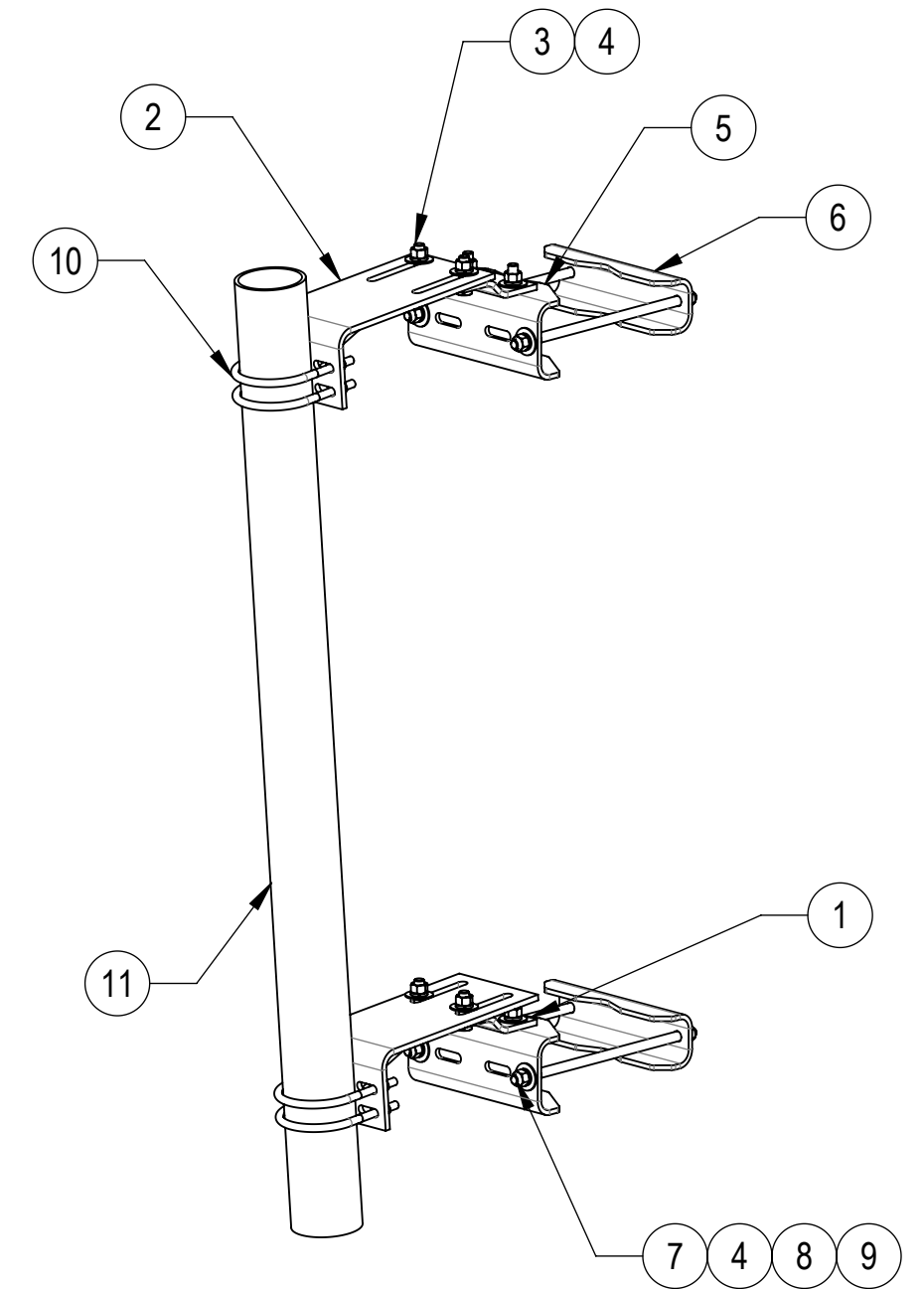
FOR POLES UP TO 8" OD
FOR 90° ANGLES UP TO 6"
FOR 60° ANGLES UP TO 8"



(4.6° MAX)



48.0 [1219.20]



COMPONENT PART NUMBERS PROVIDED FOR ASSEMBLY PURPOSES;
INDIVIDUAL COMPONENTS MAY BE SHIPPED AS PARTS WITHIN AN INCLUDED KIT.

ITEM NO.	PART NUMBER	DESCRIPTION	QTY.	WEIGHT	NOTE NO.
1	PMSL01	S-BRACKET	2	4.30 LBS	
2	PMSL05	14" L-BRACKET	2	13.44 LBS	
3	GB-0520A	5/8" X 2" GALV BOLT KIT (A325)	8	0.26 LBS	
4	GWF-05	5/8" GALV FLAT WASHER, 1.7OD	16	0.06 LBS	
5	MTC397522	CLAMP, FRONT MOUNTING	2	10.02 LBS	
6	MTC397521	CLAMP, BACK	2	6.94 LBS	
7	MT-382-16	5/8" X 16" GALV THREADED ROD	4	1.38 LBS	
8	GWL-05	5/8" GALV LOCK WASHER	8	0.03 LBS	
9	GN-05	5/8" GALV HEX NUT	12	0.08 LBS	
10	GUB-4456	1/2" X 4-5/8" X 6-1/2" GALV U-BOLT	4	0.90 LBS	
11	MT-653-63	4.5" O.D. X 63" PIPE	1	57.02 LBS	

	DENSITY	MASS	VOLUME	SURFACE AREA	HEIGHT	LENGTH	WIDTH
		141.36	500.64	3814.89	63.30"	11.73"	37.71"
		lbs/in ³	lbs	in ²			

© 2024 CommScope, Inc. Confidential

COMMSCOPE, INC. OF NORTH CAROLINA																	
TOLERANCES						SAP MATERIAL MASTER											
1 PLACE .X[X] ± 0.12[3.0]			3 PLACE .XXX[X] ± 0.030[0.8]			PM-SU4L-63											
2 PLACE .XX[X] ± 0.06[1.5]			ANGLES ± 2°														
FINISH						MATERIAL											
UNIV. SLIDING PIPE MNT KIT, 4-1/2" X 63"																	
SCALE: 1:12			DOCUMENT NO.: PM-SU4L-63														
SIZE: C			Auth Group: INSL			MODEL: RE			DRAWING: F			SHEET: 1 OF 1					
VERSION: 02			STATUS: RE			REVISION: F			VERSION: 00			STATUS: RE			REVISION: F		