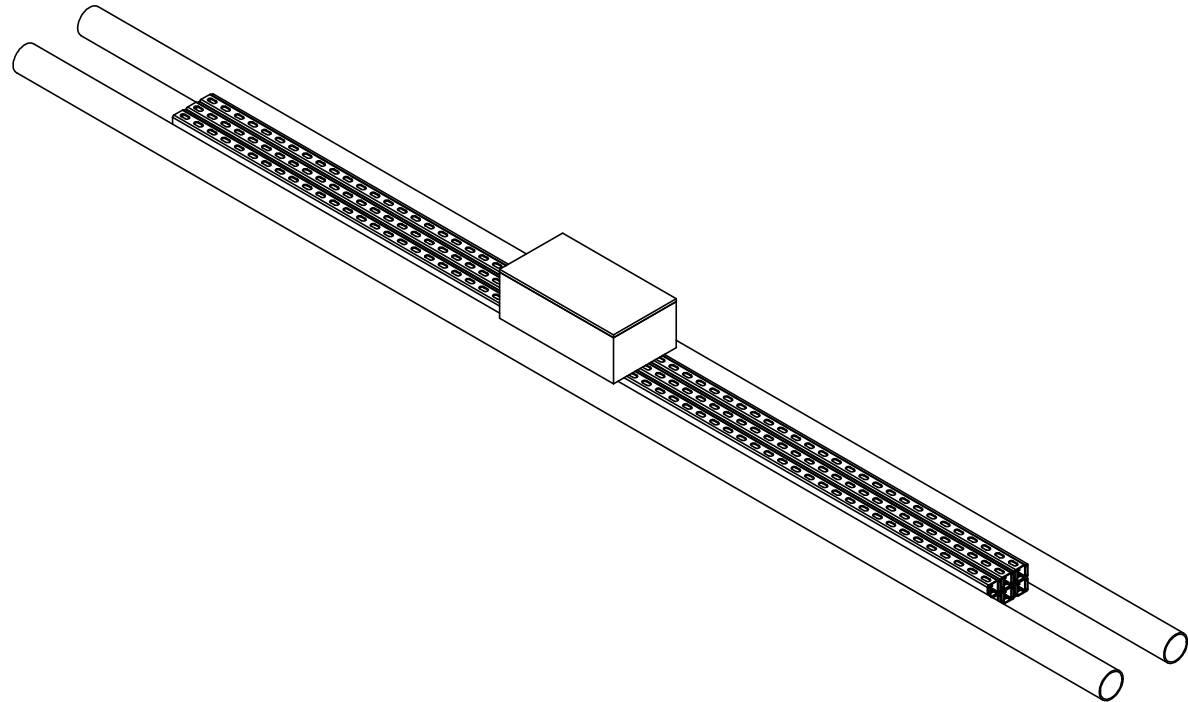


NOTES:

- 1.0 BAND PARTS TOGETHER AS NEEDED FOR SHIPPING.
- 2.0 CUSTOMER ASSEMBLY SHEET 2.

REVISIONS				
REV.	ECN	DESCRIPTION	BY	DATE
A	8000008278	INITIAL RELEASE	MSM	05/20/15



SHIPPING BOM

ITEM	PART NO.	DESCRIPTION	QTY.	WEIGHT	NOTE NO.
1	MF-130	Ø3.5" O.D. X 13'-4" DIRECT BURIAL PIPE COLUMN	2	78.64 LBS	
2	MT-504	SQUARE SUPPORT RAIL, 12 GA. SLOTTED, 120"	12	20.35 LBS	
3	MTC3742BHK	HARDWARE KIT FOR MTC3742B	1	15.20 LBS	

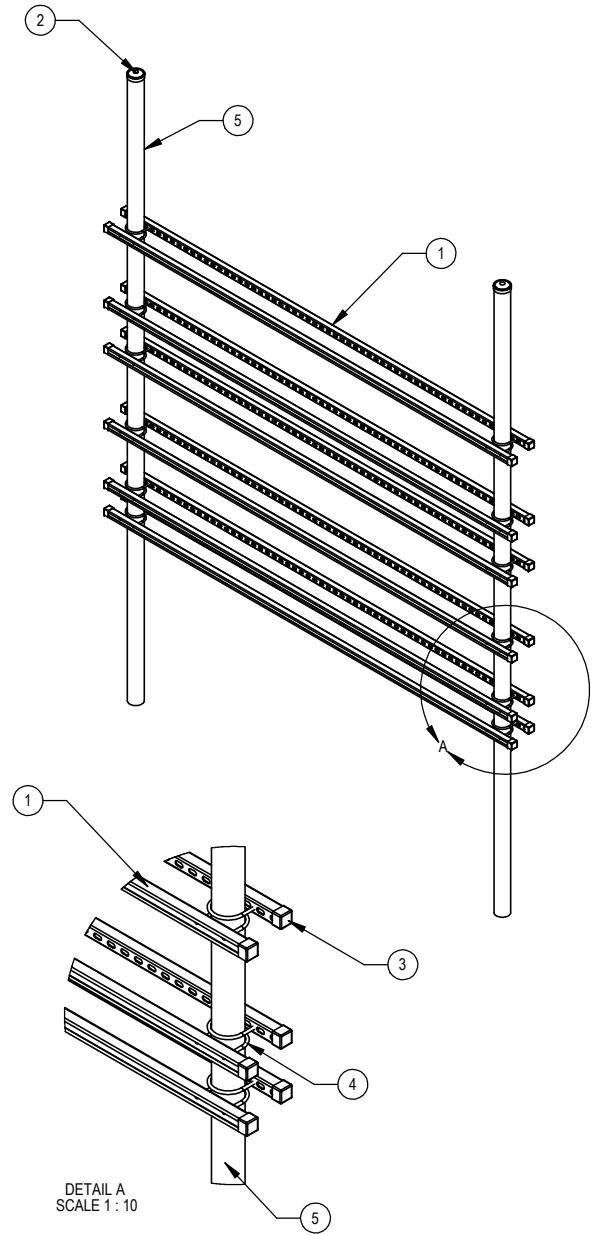
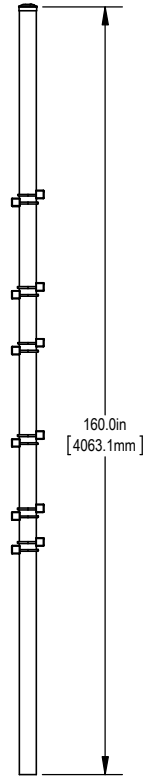
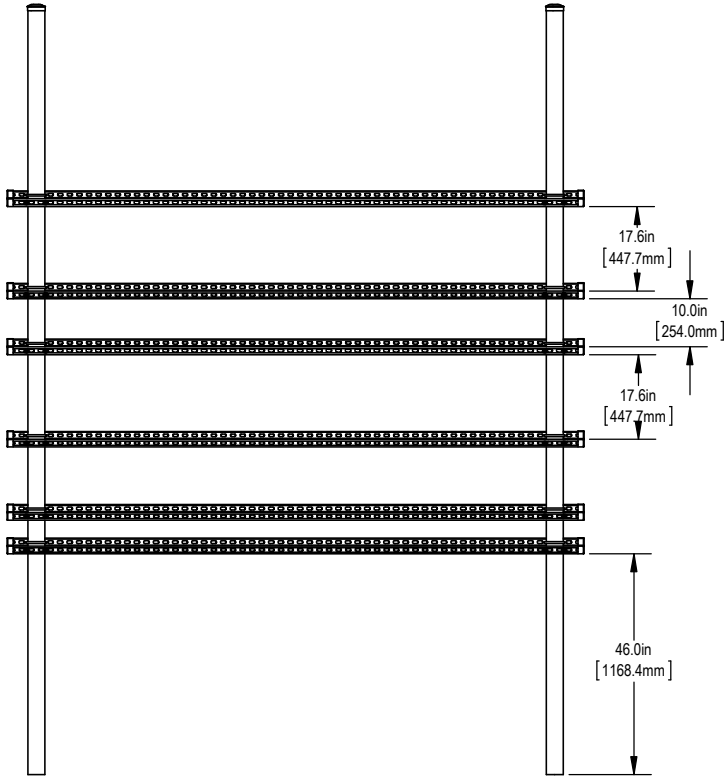
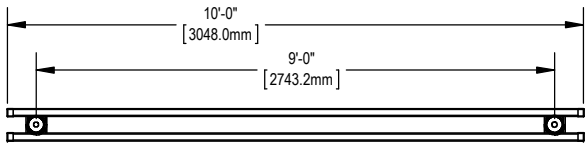
COMMSCOPE, INC. OF NORTH CAROLINA

TOLERANCES		SAP MATERIAL MASTER	
0 PLACE X ± .25	2 PLACE XX ± .06	MTC3742B	
1 PLACE .X ± .12	ANGLES ± 2°		
FINISH		MATERIAL	
GALV A123		N/A	
CE	MSM	DATE	04/28/15
RW		TITLE	
RV		10' X 12 RUNG BURIAL H-FRAME	
AD		SCALE	DOCUMENT NO.
RE	TP	04/28/15	1:10 MTC3742B
ECN	8000008278		
SIZE	WORK AREA	MODEL	DRAWING
C		VERSION	STATUS
		REVISION	REVISION
		VERSION	STATUS
		REVISION	REVISION
			A
		SHEET	1 OF 2

DENSITY	416.64	lbs/in ³
MASS		lbs
VOLUME		in ³
SURFACE AREA		in ²

UNLESS OTHERWISE SPECIFIED
DIMENSIONS ARE IN MILLIMETERS
DIMENSIONS IN PARENTHESES ARE
IN INCHES (CONVERSION FROM
MILLIMETERS) (FIRST EDITION (2002)
VOLUMES 1 & 2, THIRD EDITION (2009))

NOTES:



DETAIL A
SCALE 1 : 10

ITEM	PART NO.	DESCRIPTION	QTY.	WEIGHT	NOTE NO.
1	MT-504	SQUARE SUPPORT RAIL, 12 GA. SLOTTED, 120"	12	20.35 LBS	
2	PC-034	Ø 3½" PIPE CAP	2	0.54 LBS	
3	PTCR01	END CAP	24	0.04 LBS	
4	GUB-3365	3/8" X 3-5/8" X 4-1/2" GALV U-BOLT	24	0.36 LBS	
5	MF-130	Ø 3.5" O.D. X 13'-4" DIRECT BURIAL PIPE COLUMN	2	78.64 LBS	

COMMSCOPE, INC. OF NORTH CAROLINA			
TITLE			
10' X 12 RUNG BURIAL H-FRAME			
SIZE	SCALE	DOCUMENT NO.	
C	1:20	MTC3742B	
DRAWING		STATUS	REVISION
			A
SHEET			2 OF 2