

1.0 GENERAL NOTES  
 1.1 ALL METRIC DIMENSIONS ARE IN BRACKETS [X. X]  
 1.2 FOR PATENT INFO: <https://www.cs-pat.com>

2.0 DESIGN NOTES  
 3.0 MANUFACTURING/SPECIAL REQUIREMENTS

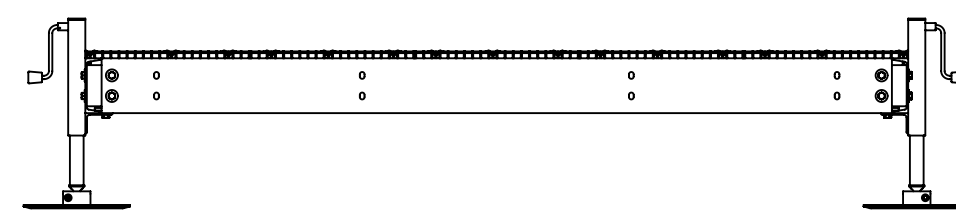
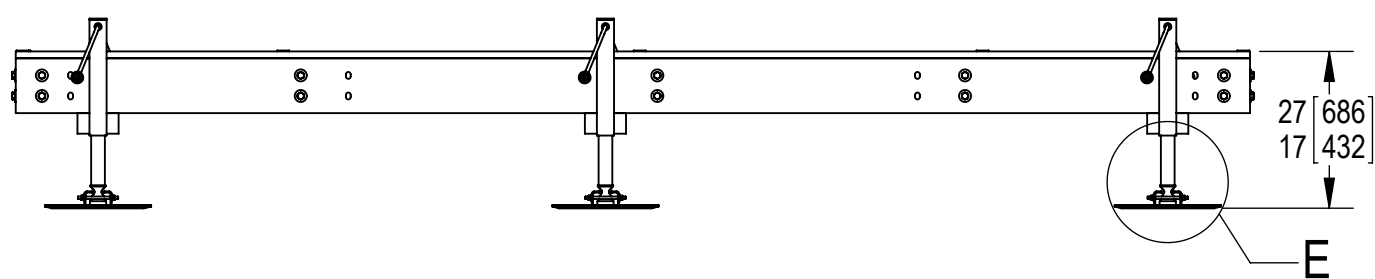
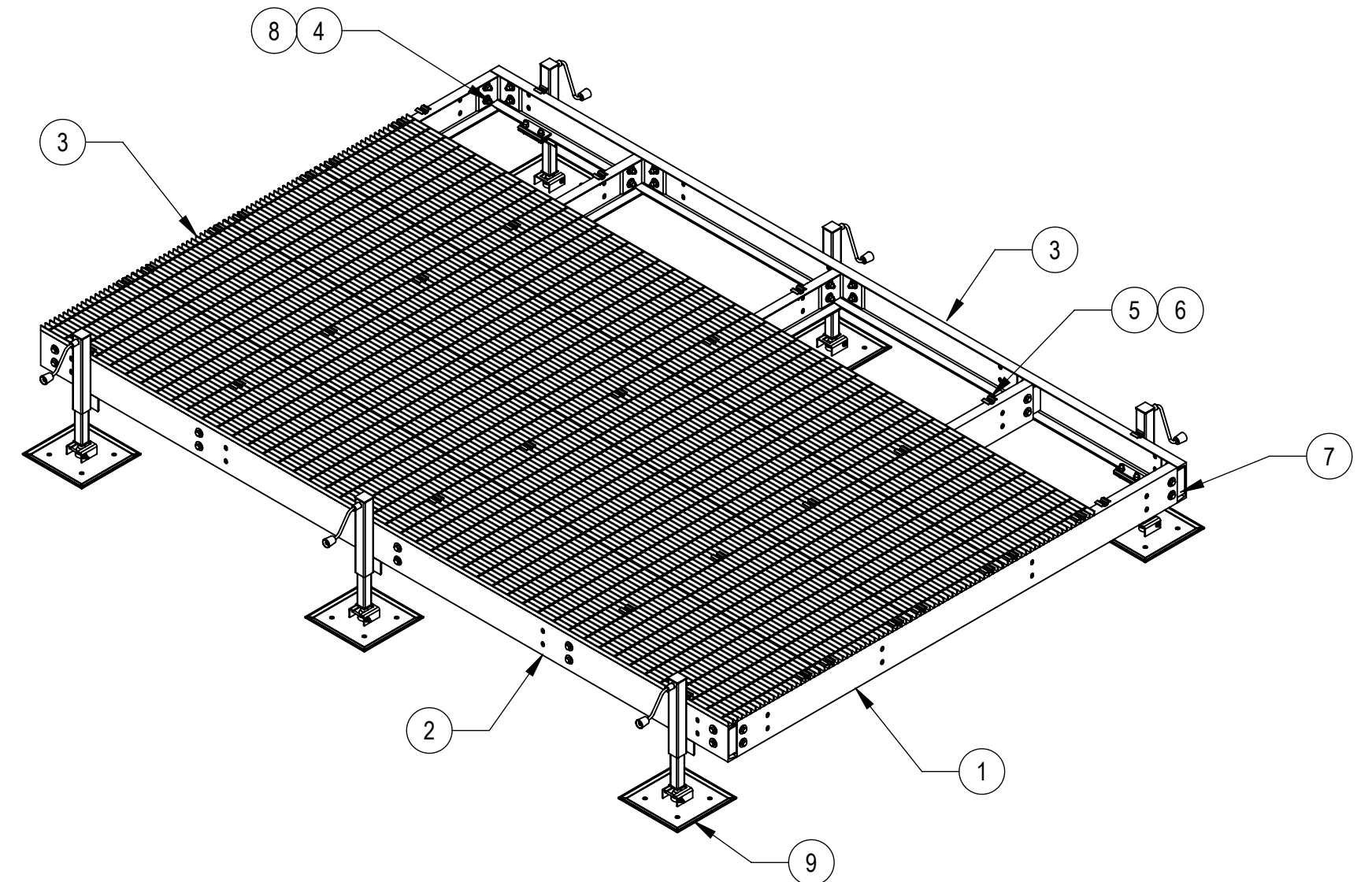
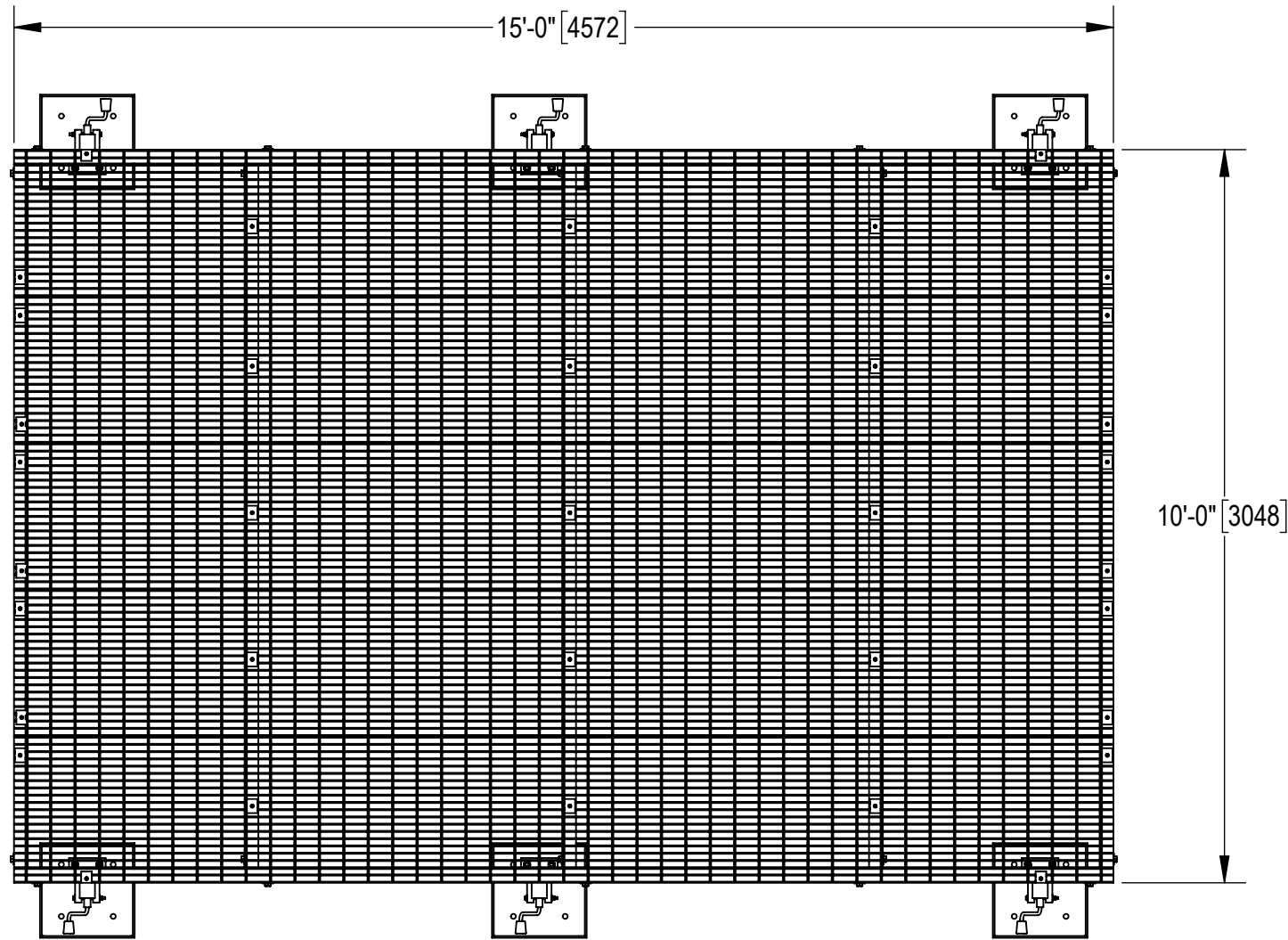
3.1 TIGHTEN ALL BOLTS SECURING FLAT PLATES BY THE TURN-OF-NUT METHOD. TIGHTEN ALL U-BOLTS USING TURN-OF-NUT METHOD WITH ATTENTION TO LEAVE EQUAL DISTANCE AND EQUAL FORCE ON EACH LEG OF THE U-BOLT.

4.0 TEST

5.0 PACKAGING

5.1 PACKAGING SHALL MEET COMMScope REQUIREMENTS PER DOCUMENT IS-PL-3005  
 5.2 PRINTED DOCUMENT TO BE PLACED INSIDE POLYBAG AND THEN IN SHIPPING CONTAINER  
 5.3 EXTRA HARDWARE MAY BE SUPPLIED, BAGGED AND SHIPPED

REVISIONS			
REV.	DESCRIPTION	DATE	APPROVED
A	INITIAL RELEASE	ACG 12APR05	TP
C	UPDATE BASE PLATFORM WEIGHT	ACG 06FEB07	TP
D	UPDATE WEIGHT AND CHANGE BAR GRATING	RDLS 14FEB17	CADDBASE 8000020038
E	ADDED DIMENSIONS 122.5, 37.8, 52.0, 50.2, 74.0&82.0; ADDED SHEET2	LL1090 24NOV23	BCROSS 40183651CMO
F	MTC390324 AND TS1220 WAS GCM03	LL1090 07MAY24	YW1045 40193969CMO



COMPONENT PART NUMBERS PROVIDED FOR ASSEMBLY PURPOSES;  
 INDIVIDUAL COMPONENTS MAY BE SHIPPED AS PARTS WITHIN AN INCLUDED KIT.

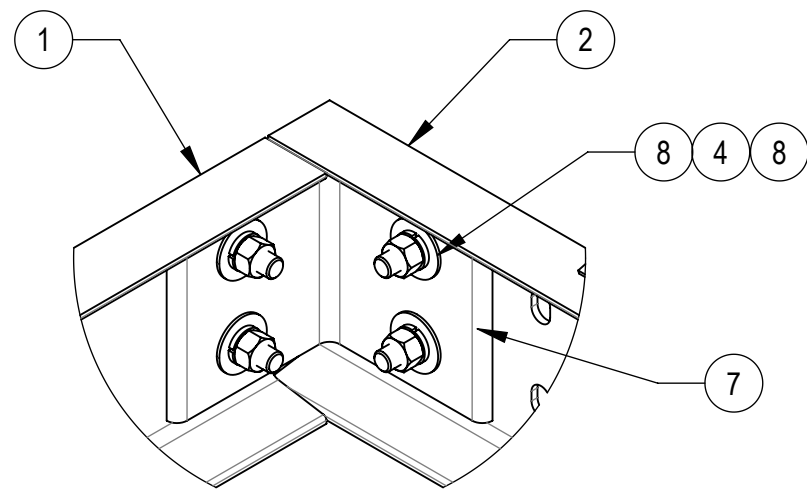
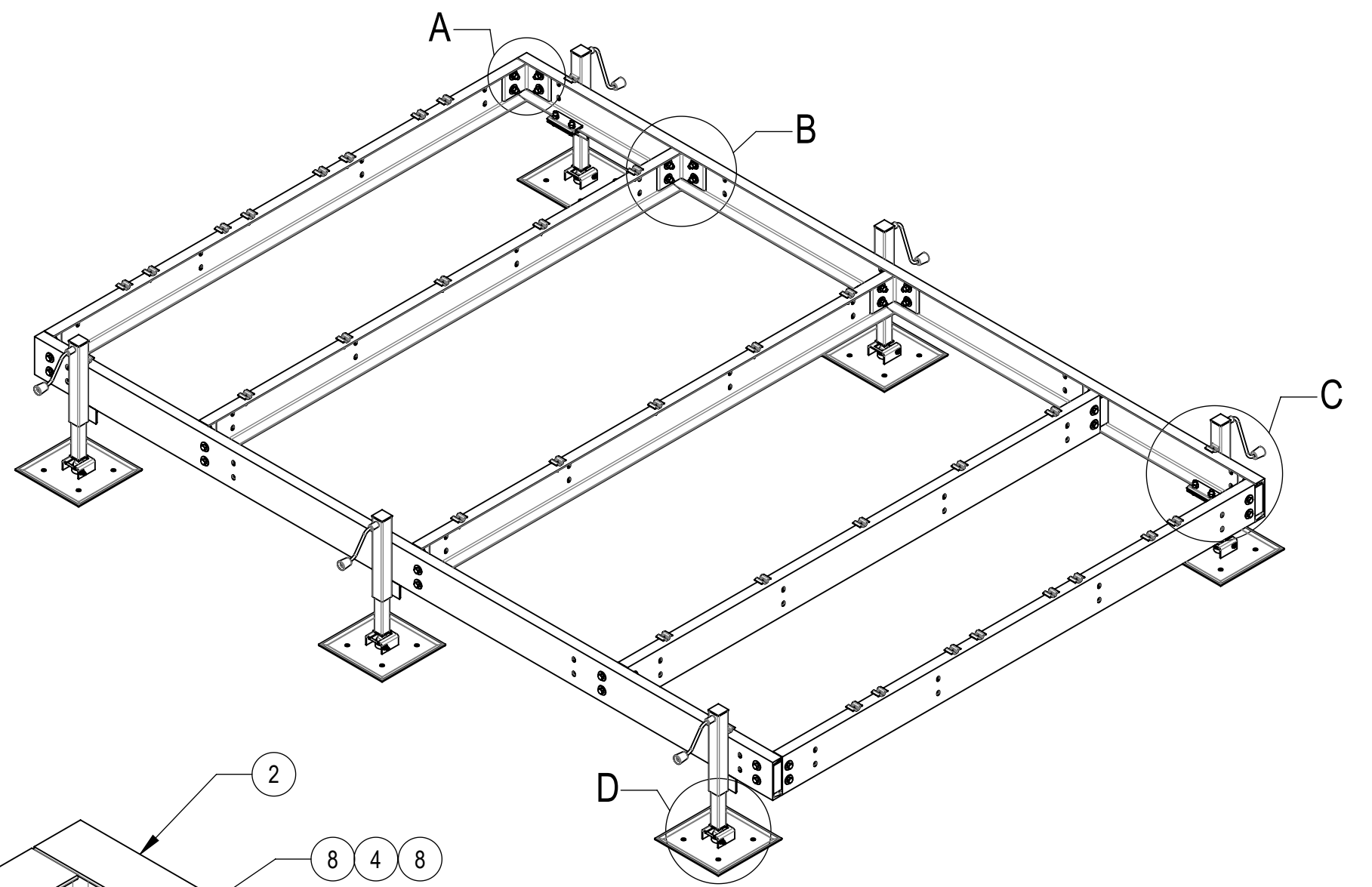
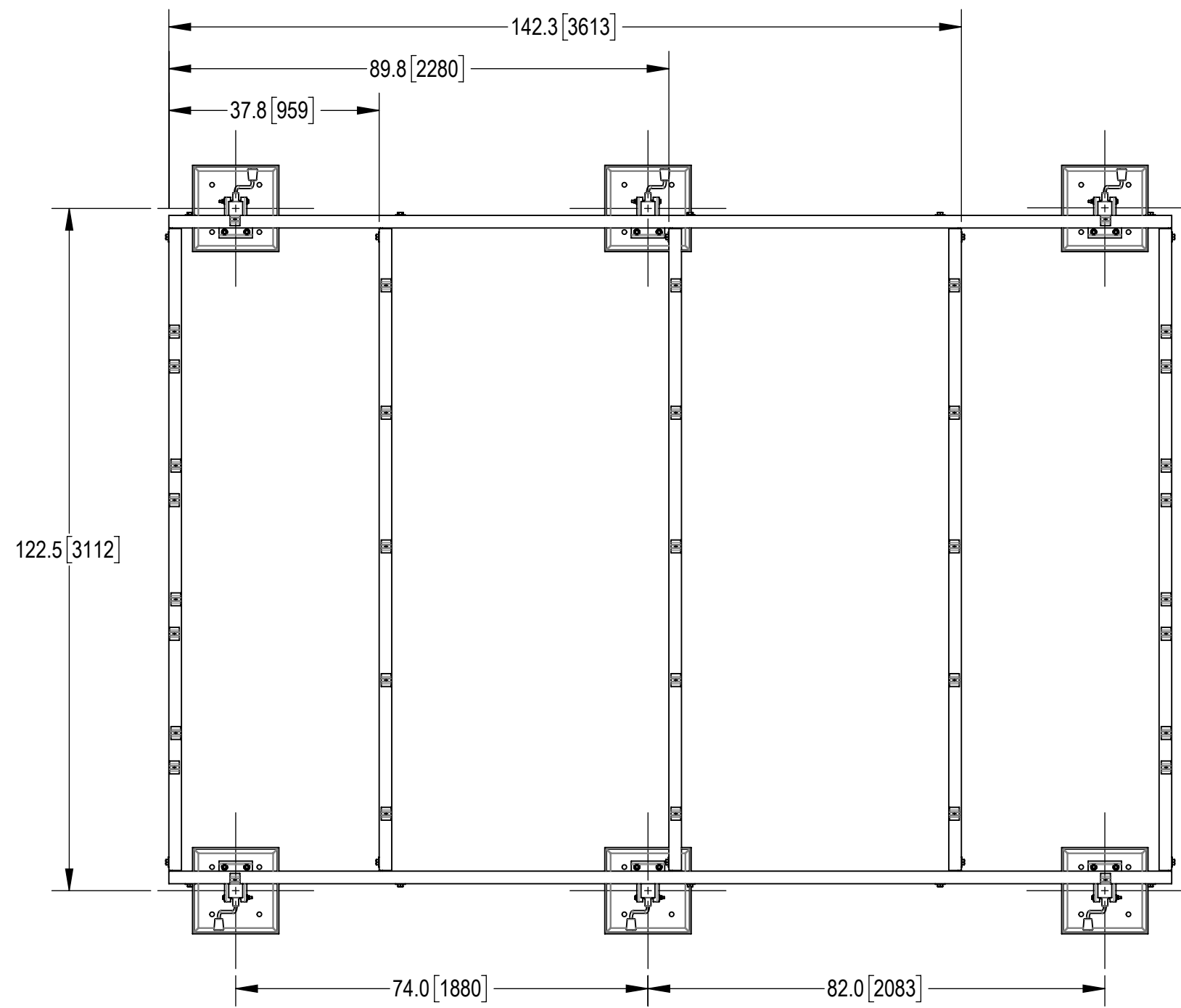
ITEM NO.	PART NUMBER	DESCRIPTION	QTY.	WEIGHT	NOTE NO.
1	MTC7902101002	10' CENTER CHANNEL	5	109.20 LBS	
2	MTC7902101501	15' SIDE CHANNEL	2	170.51 LBS	
3	MTC7902081501	24" X 180" BAR GRATING	5	0.00 LBS	
4	GB-05205	5/8" X 2" GALV BOLT KIT	40	0.26 LBS	
5	MTC390324	BAR GRATING CLIP	35	0.17 LBS	
6	TS1220	12-24 X 2" SELF DRILLING SCREW	35	0.03 LBS	
7	MTC790203	CHANNEL ADAPTER ANGLE	10	7.07 LBS	
8	GWF-05	5/8" GALV FLAT WASHER, 1.7OD	80	0.06 LBS	
9	EQ-P-AL	ADJ. LEG FOR EQUIPMENT PLATFORMS	6	56 LBS	

DENSITY	2390.21	lbs/in <sup>3</sup>
MASS	2390.21	lbs
VOLUME	8212.95	in <sup>3</sup>
SURFACE AREA	82189.50	in <sup>2</sup>
HEIGHT	22.0"	
LENGTH	180.0"	
WIDTH	138.0"	

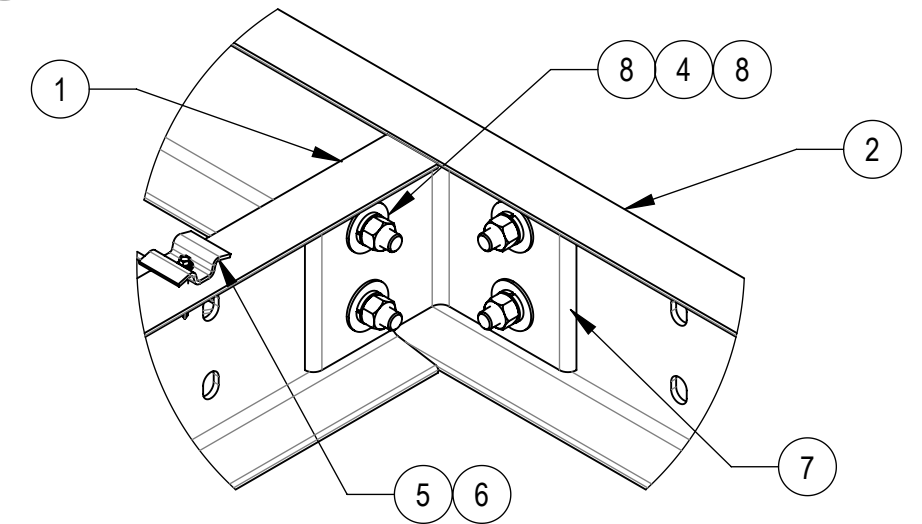
**HIDE BAR GRATING FOR CLARITY**

**COMMScope, INC. OF NORTH CAROLINA**

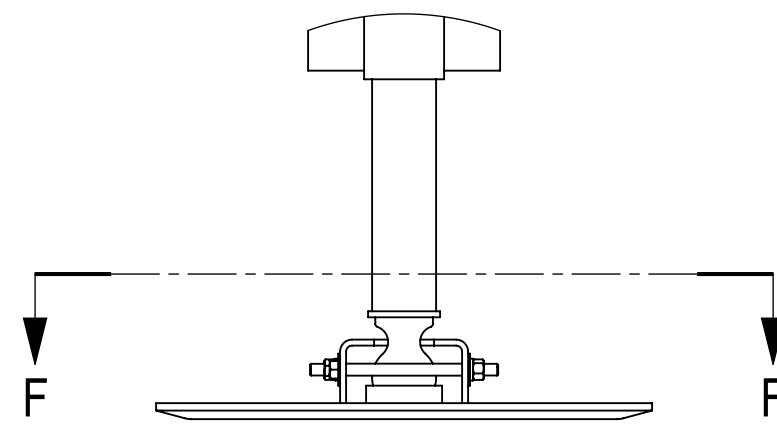
TOLERANCES		SAP MATERIAL MASTER	
1 PLACE .X[X] ± 0.12[3.0]	3 PLACE .XXX[X] ± 0.03[0.8]	<b>EQ-P1015-AL</b>	
2 PLACE .XX[X] ± 0.06[1.5]	ANGLES ± 2°		
FINISH		MATERIAL	
UNLESS OTHERWISE SPECIFIED DIMENSIONS ARE IN INCHES INTERPRET PER ANSI Y 14.5M-1994		NAME	DATE
		CE ACG	12APR05
		RW LL1090	05/13/2024
		AD YW1045	05/17/2024
RE YMENG	05/23/2024	<b>10' X 10' EQUIPMENT PLATFORM W/ 4 LEGS</b>	
ECN 40193969CMO	SCALE	DOCUMENT NO.	
	<b>1:32</b>	<b>EQ-P1015-AL</b>	
SIZE	Auth Group	INSL	MODEL
<b>C</b>			
VERSION	STATUS	REVISION	VERSION
02	RE	F	02
DRAWING		STATUS	REVISION
		RE	F
SHEET			1 OF 2



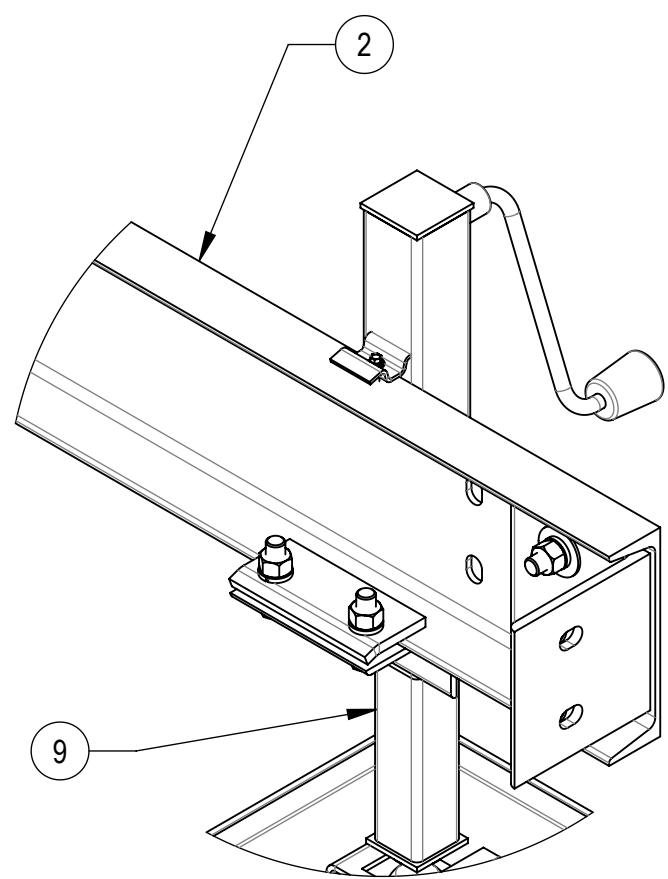
DETAIL A  
SCALE 1 : 5



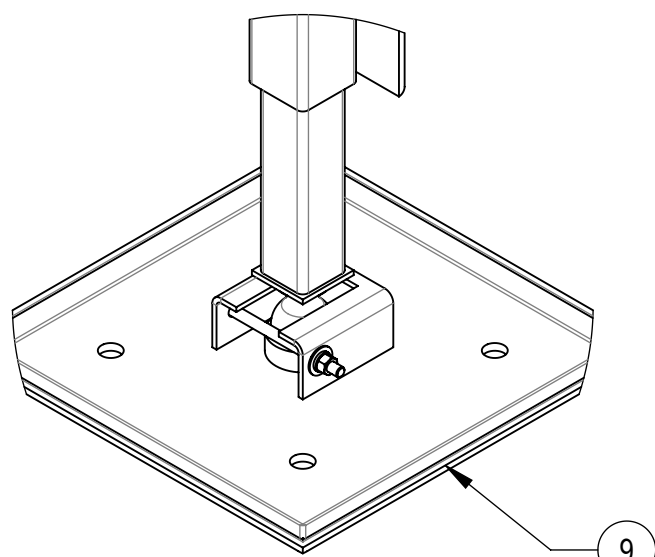
DETAIL B  
SCALE 1 : 6



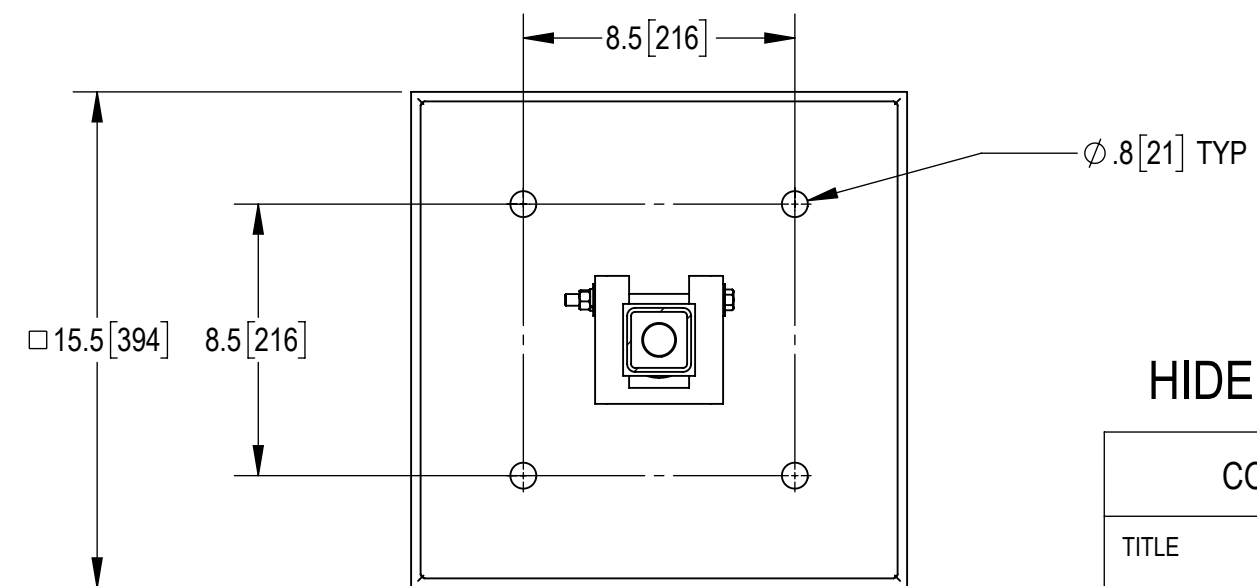
DETAIL E  
SCALE 1 : 6



DETAIL C  
SCALE 1 : 6



DETAIL D  
SCALE 1 : 6



SECTION F-F  
SCALE 1 : 6

HIDE BAR GRATING FOR CLARITY

COMMSCOPE, INC. OF NORTH CAROLINA

TITLE  
10' X 10' EQUIPMENT PLATFORM W/ 4 LEGS

SIZE <b>C</b>	SCALE <b>1:32</b>	DOCUMENT NO. EQ-P1015-AL
------------------	----------------------	-----------------------------

DRAWING	VERSION	STATUS	REVISION	SHEET 2 OF 2
	02	RE	F	