

PART NUMBERS, WEIGHTS, & EPA

TABLE 1: CONFIGURATIONS

PART NUMBER	DESCRIPTION	WEIGHT (LBS)	(EPA)A (FT^2)*	(EPA)A 1/2" ICE THICKNESS (FT^2)*	ANTENNA PIPES	INCLUDED PARTS						
						MC-RMHD-1245-3	MC-AS-SB03	RK-48-3MK	MPPP-HK01	MT546180	HRK-15-12-01	XP-2525-15
MP-PP15M-15C-126	MP, 15', 3S, (15) 2.88" X 126" PIPE, W/HR	3253.76	36.66	48.93	15	1	1	1	3	1	2	15


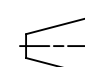
* (EPA)A DOES NOT INCLUDE ANTENNA PIPES AND MOUNTING HARDWARE. IF DESIRED, ADD ANTENNA PIPE PER TABLE 2

TABLE 2: EPA OF EACH ANTENNA PIPE

ANTENNA PIPE	(EPA)A (FT^2)	(EPA)A W/ 1/2" ICE THICKNESS (FT^2)
2-7/8" X 126"	2.42	3.26

NOTE:

- ANTENNA PIPES ARE CONSIDERED SEPARATELY.
- KA FACTOR OF 3-SECTOR EPA INCLUDED.
- COMBINE THE ASSOCIATED EPA VALUES IN THE TABLES ABOVE TO DETERMINE THE EPA OF A MOUNT MODEL WITH A LISTED MOUNT PIPE CONFIGURATION. FOR EXAMPLE, MP-PP15M-15C-126 HAS A 3-SECTOR EPA OF 36.66 FT2 WITH NO ICE PLUS 15 ANTENNA PIPES WITH A 3-SECTOR EPA OF 15X2.42=36.30 FT2 WITH NO ICE. SO, THE TOTAL EPA OF 72.96 FT2 FOR THE MP-PP15M-15C-126

COMMSCOPE, INC. OF NORTH CAROLINA				
TITLE MP, 15', 3S, (15) 2.88" X 126" PIPE, W/HR				
SIZE C	SCALE 1:48	DOCUMENT NO. MP-PP15M-15C-126		
 		DRAWING		SHEET 2 OF 10
		VERSION 00	STATUS RE	

4

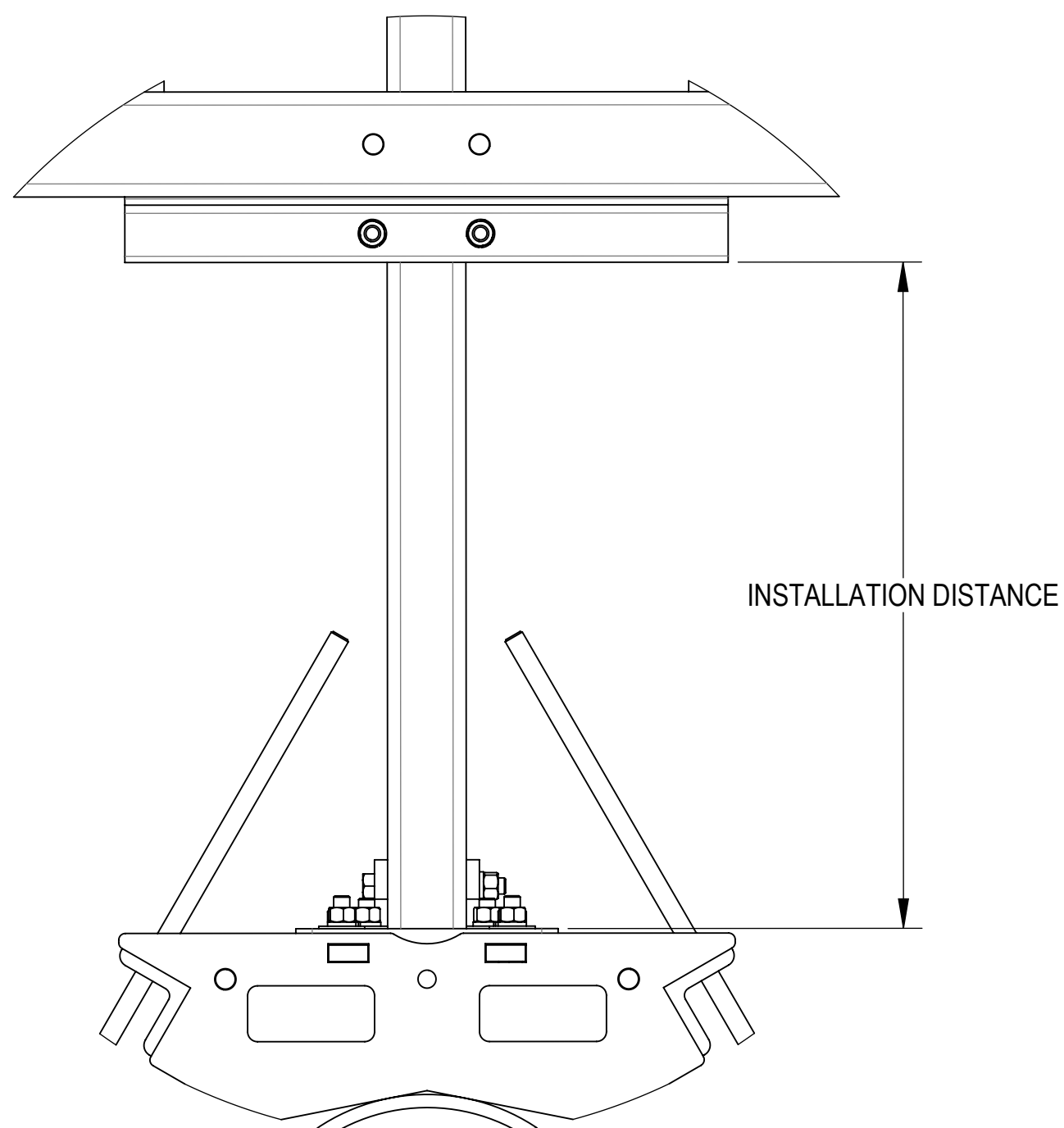
3

2

1

PLATFORM FOR INSTALLATION

ADJUST THE INSTALLATION DISTANCE ACCORDING TO THE DIAMETER OF THE MONOPOLE WHEN INSTALL PLATFORM MC-AS-7000-00. SEE TABLE 3 DETAIL FOR THE DISTANCE ADJUSTED.



DETAIL X
SCALE 1 : 6

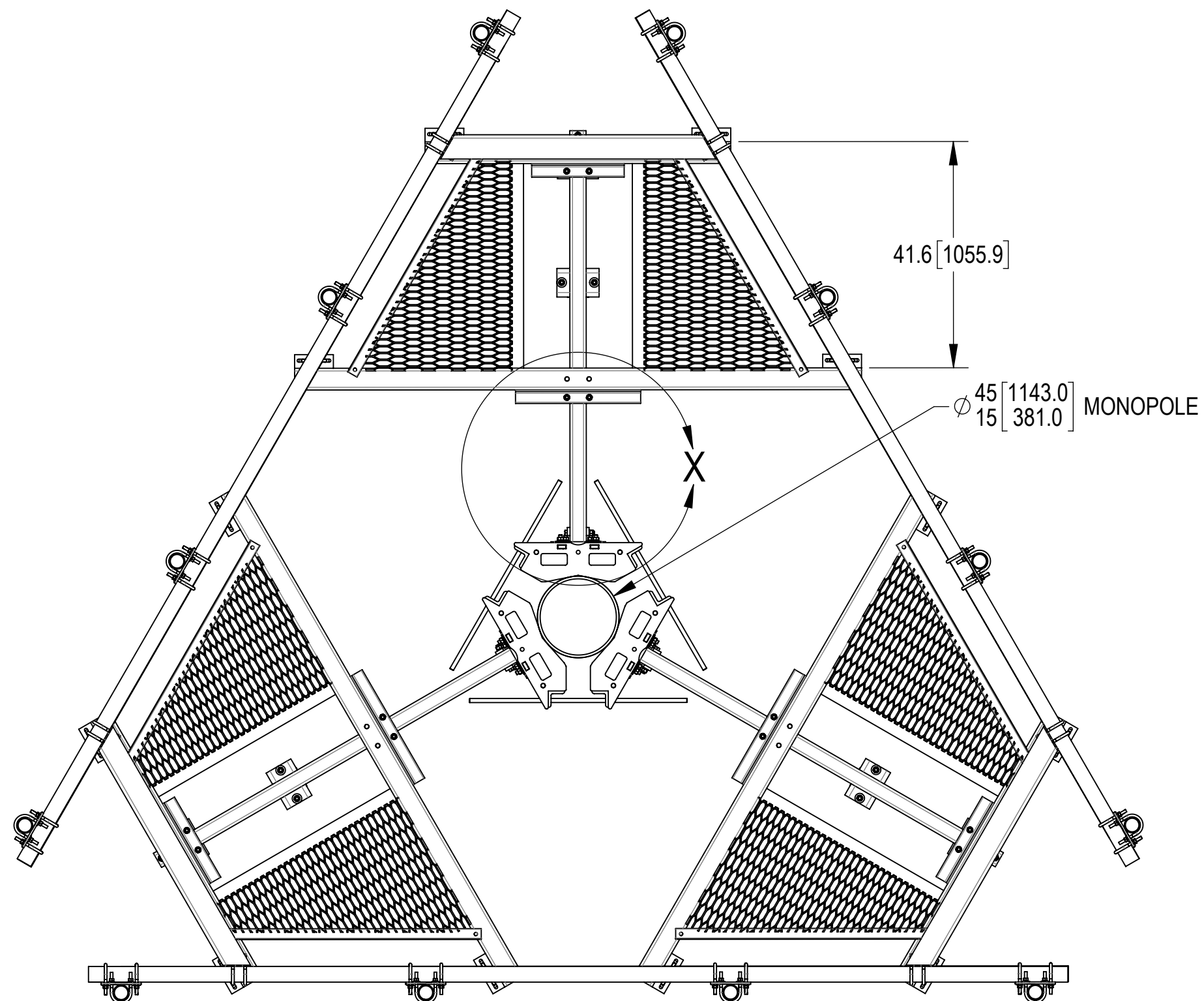


TABLE 3: PLATFORM INSTALLATION POSITION

DIAMETER OF MONOPOLE (INCH)	DISTANCE (INCH)	DIAMETER OF MONOPOLE (MM)	DISTANCE (MM)
15	25.40	381.0	645.2
17.5	24.13	444.5	612.9
20	22.85	508.0	580.4
22.5	21.58	571.5	548.1
25	20.30	635.0	515.6
27.5	19.03	698.5	483.4
30	17.75	762.0	450.9
32.5	16.48	825.5	418.6
35	15.21	889.0	386.3
37.5	13.93	952.5	353.8
40	12.66	1016.0	321.6
42.5	11.38	1079.5	289.1
45	10.11	1143.0	256.8

NOTE: FOR MONOPOLE DIAMETERS THAT ARE NOT IN THE TABLE, USE BELOW FORMULA TO GET THE VALUE OF THE ADJUSTMENT:
DISTANCE OF ADJUSTMENT = 33.05- 0.51*D (INCH), WHERE D(INCH) IS THE DIAMETER OF MONOPOLE

COMMSCOPE, INC. OF NORTH CAROLINA

TITLE
MP, 15', 3S, (15) 2.88" X 126" PIPE, W/HR

SIZE C	SCALE 1:23	DOCUMENT NO. MP-PP15M-15C-126
------------------	----------------------	----------------------------------

DRAWING			SHEET 3 OF 10
VERSION 00	STATUS RE	REVISION C	

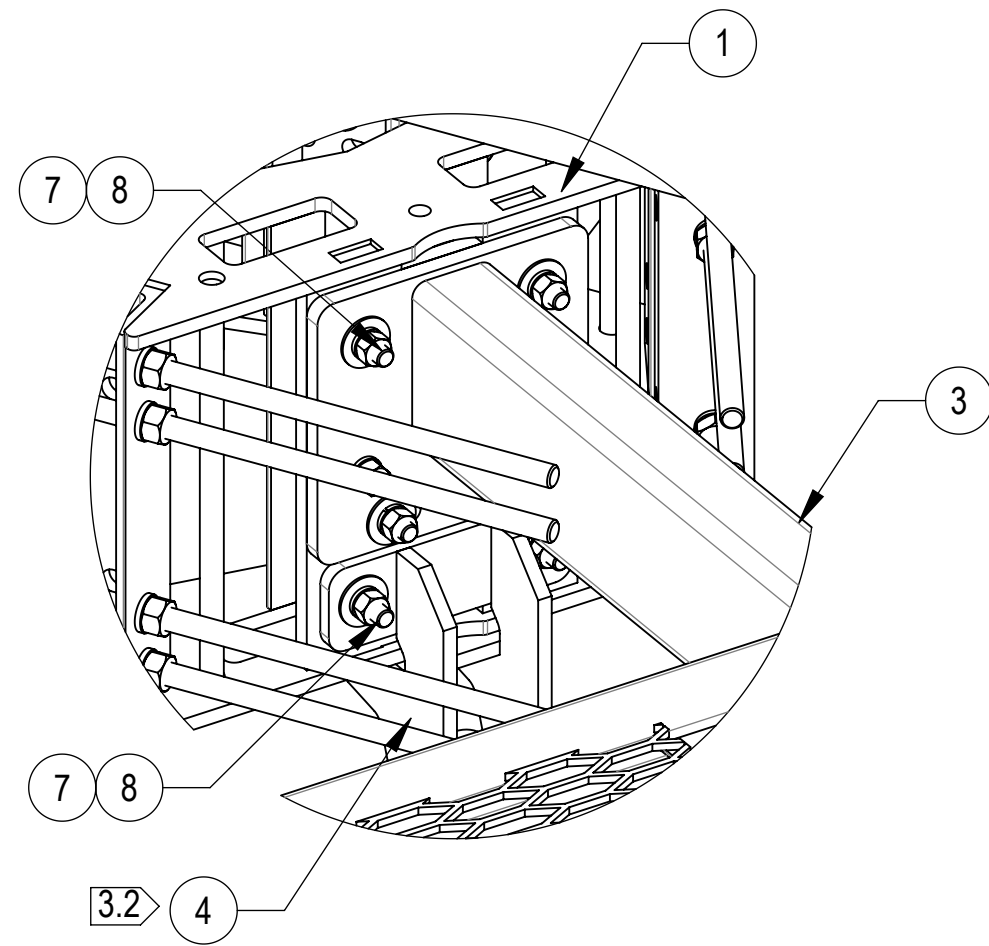
© 2024 CommScope, Inc. Confidential

4

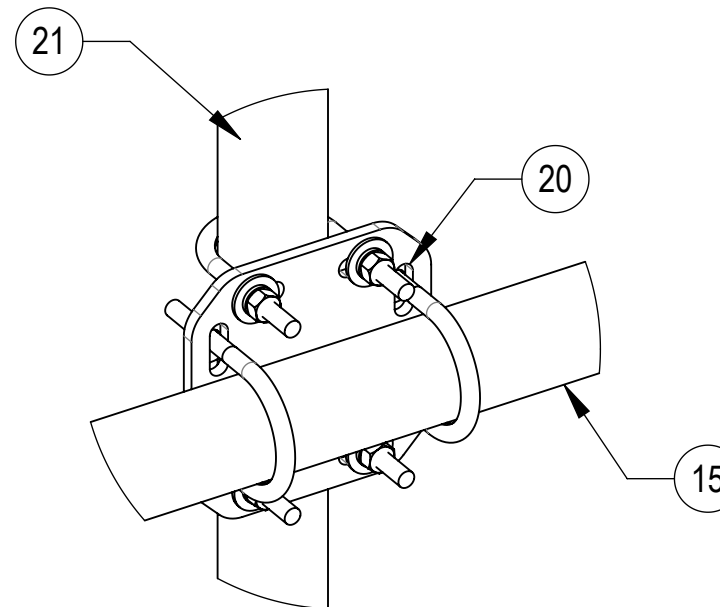
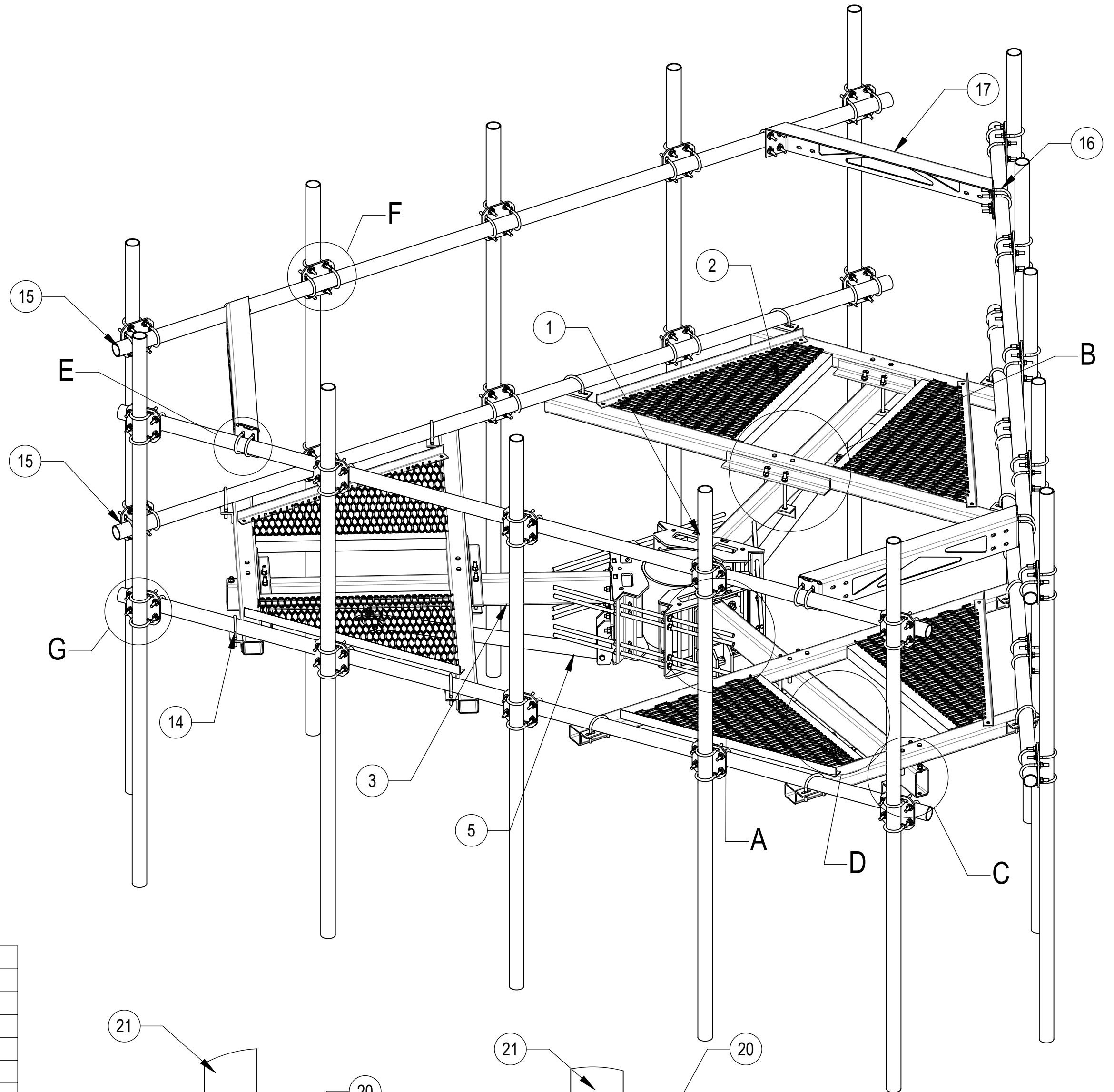
3

2

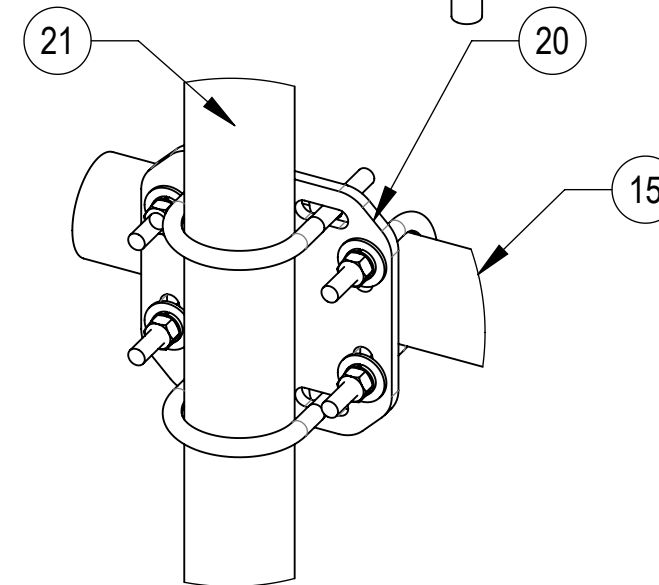
1



DETAIL A
SCALE 1 : 6



DETAIL F
SCALE 1 : 5



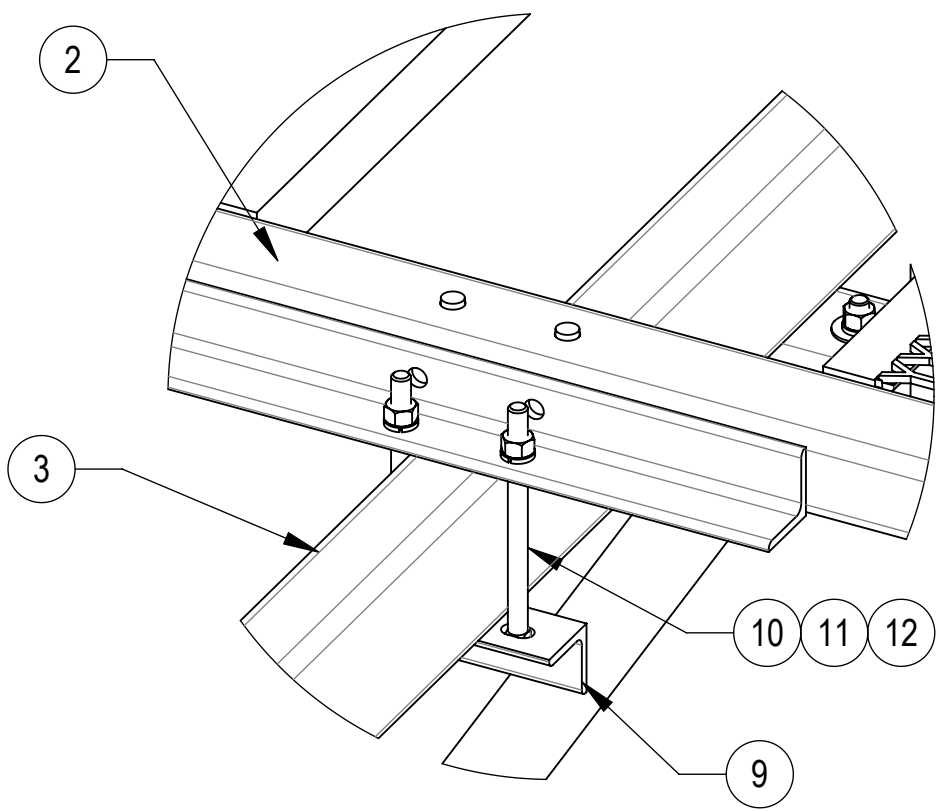
DETAIL G
SCALE 1 : 5

SOME ITEMS OMITTED FOR CLARITY

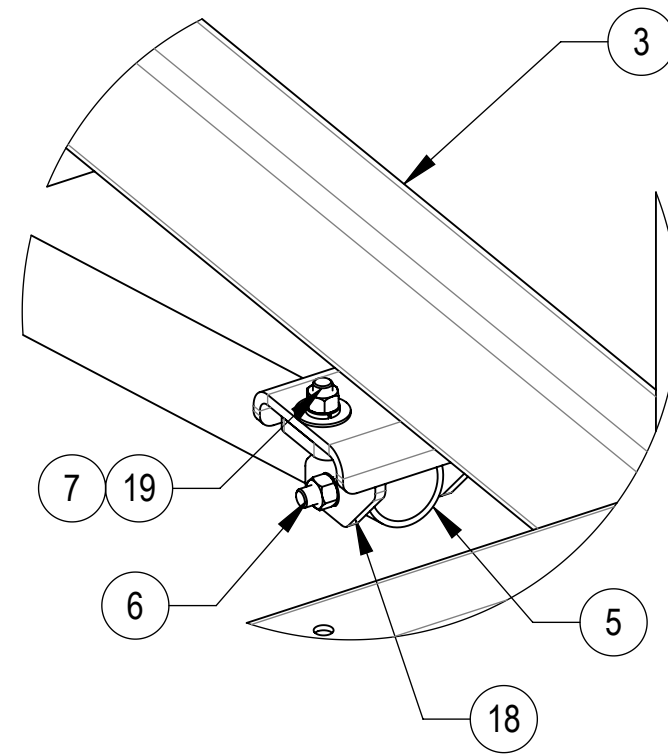
COMMSCOPE, INC. OF NORTH CAROLINA			
TITLE MP, 15', 3S, (15) 2.88" X 126" PIPE, W/HR			
SIZE C	SCALE 1:20	DOCUMENT NO. MP-PP15M-15C-126	
DRAWING		VERSION	REVISION
		00	RE C
			SHEET 4 OF 10

B COMPONENT PART NUMBERS PROVIDED FOR ASSEMBLY PURPOSES;
INDIVIDUAL COMPONENTS MAY BE SHIPPED AS PARTS WITHIN AN INCLUDED KIT.

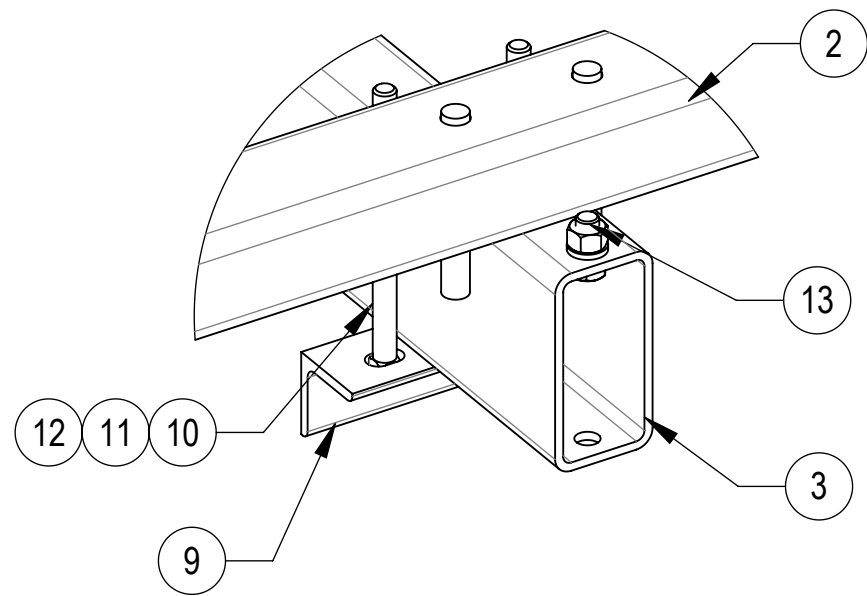
ITEM	PART NO.	DESCRIPTION	QTY.	WEIGHT	NOTE NO.
1	MC-RMHD-1245-3	3 SECTOR RING MOUNT, 12"-45" POLE	1	329.19 LBS	
2	MC-AS-7000-00	WELDMENT, CO-LOCATION PLATFORM DECK	3	208.07 LBS	
3	MC-AS-5000-00	WELDMENT, MONO PLATF SPINDLE	3	107.22 LBS	
4	MC-AS-6100-00	WELDMENT, MINI KICKER BRACKET	3	14.77 LBS	
5	RK48-00	MINI KICKER ARM SUPPORT TUBE 48"	3	22.96 LBS	
6	GB-0550A	5/8" X 5" GALV BOLT KIT (A325)	6	0.52 LBS	
7	GWF-05	5/8" GALV FLAT WASHER, 1.7OD	33	0.06 LBS	
8	GB-0524A	5/8" X 2-1/2" GALV HEX BOLT (A325)	27	0.31 LBS	
9	MC-AS-1200-00	CLAMP PLATE, CO-LOCATION PLATFORM	6	2.97 LBS	
10	9615-14	BOLT, CARRIAGE, 5/8-11, 8.5, STL GALV	12	0.82 LBS	
11	GWL-05	5/8" GALV LOCK WASHER	12	0.03 LBS	
12	GN-05	5/8" GALV HEX NUT	12	0.08 LBS	
13	GB-05125	5/8" X 1-1/4" GALV BOLT KIT	3	0.20 LBS	
14	GUB-4355	1/2" X 3-5/8" X 5" GALV U-BOLT	12	0.71 LBS	
15	MT546180	2.875" O.D. X 180" PIPE	6	87.21 LBS	
16	GUB-4352	1/2" X 3" X 5-1/4" GALV U-BOLT	12	0.71 LBS	
17	MC-AS-6300-00	CORNER WELDMENT, HANDRAIL	3	31.87 LBS	
18	MC-AS-6400-00	WELDMENT, MINI KICKER CLIP	3	5.97 LBS	
19	GB-0520A	5/8" X 2" GALV BOLT KIT (A325)	6	0.26 LBS	
20	XP-2525	CROSSOVER PLATE KIT, 2-7/8 OD X 2-7/8 OD	30	8.37 LBS	
21	MT-546-126	PIPE, 2.875" OD X 126"	15	61.05 LBS	



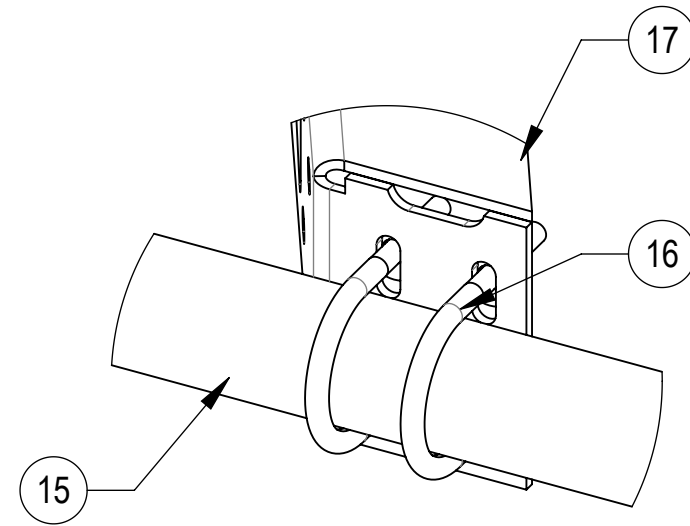
DETAIL B
SCALE 1 : 6



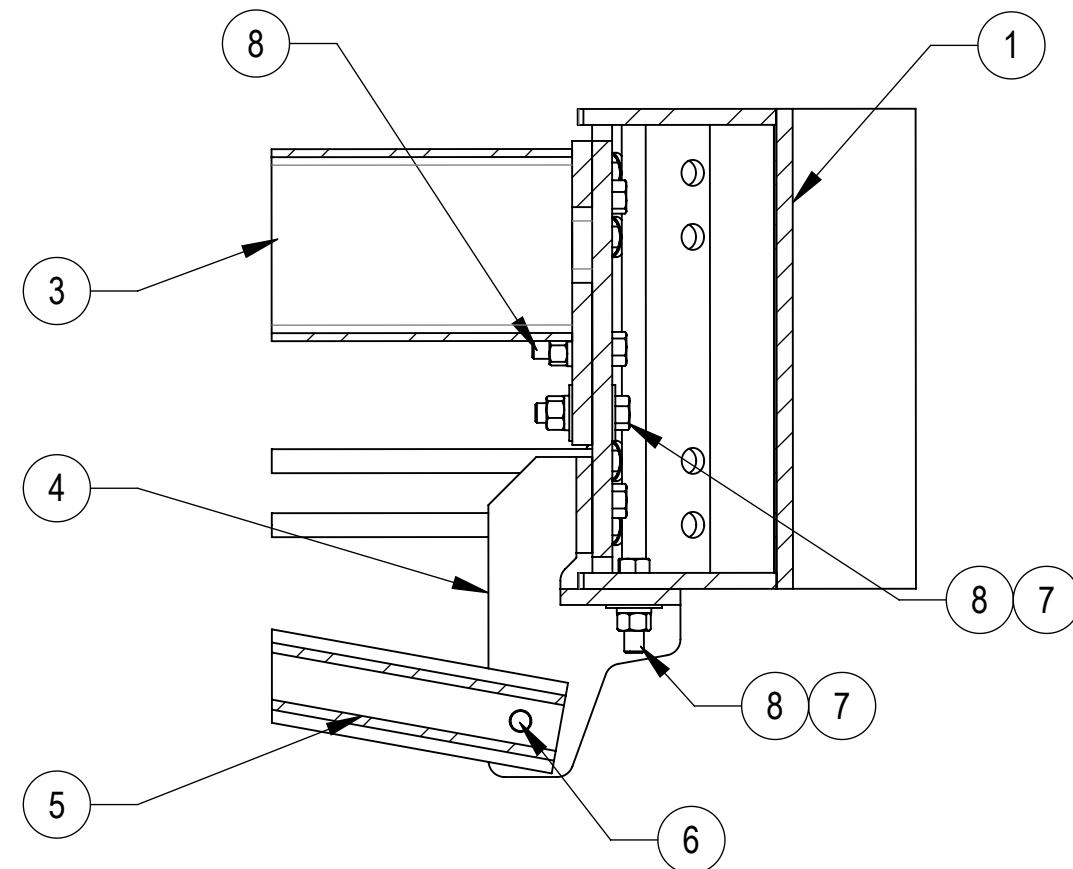
DETAIL D
SCALE 1 : 6



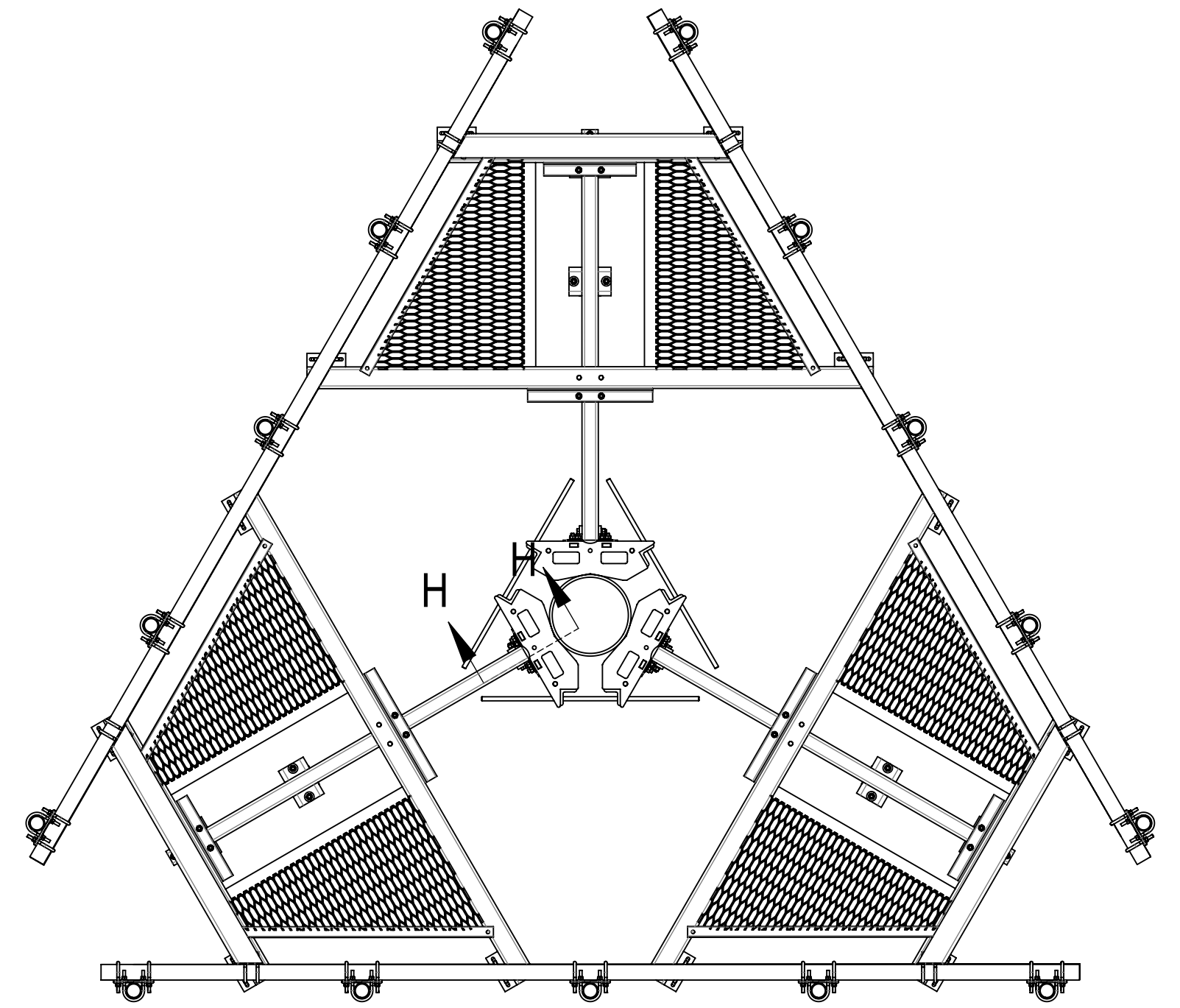
DETAIL C
SCALE 1 : 5



DETAIL E
SCALE 1 : 4



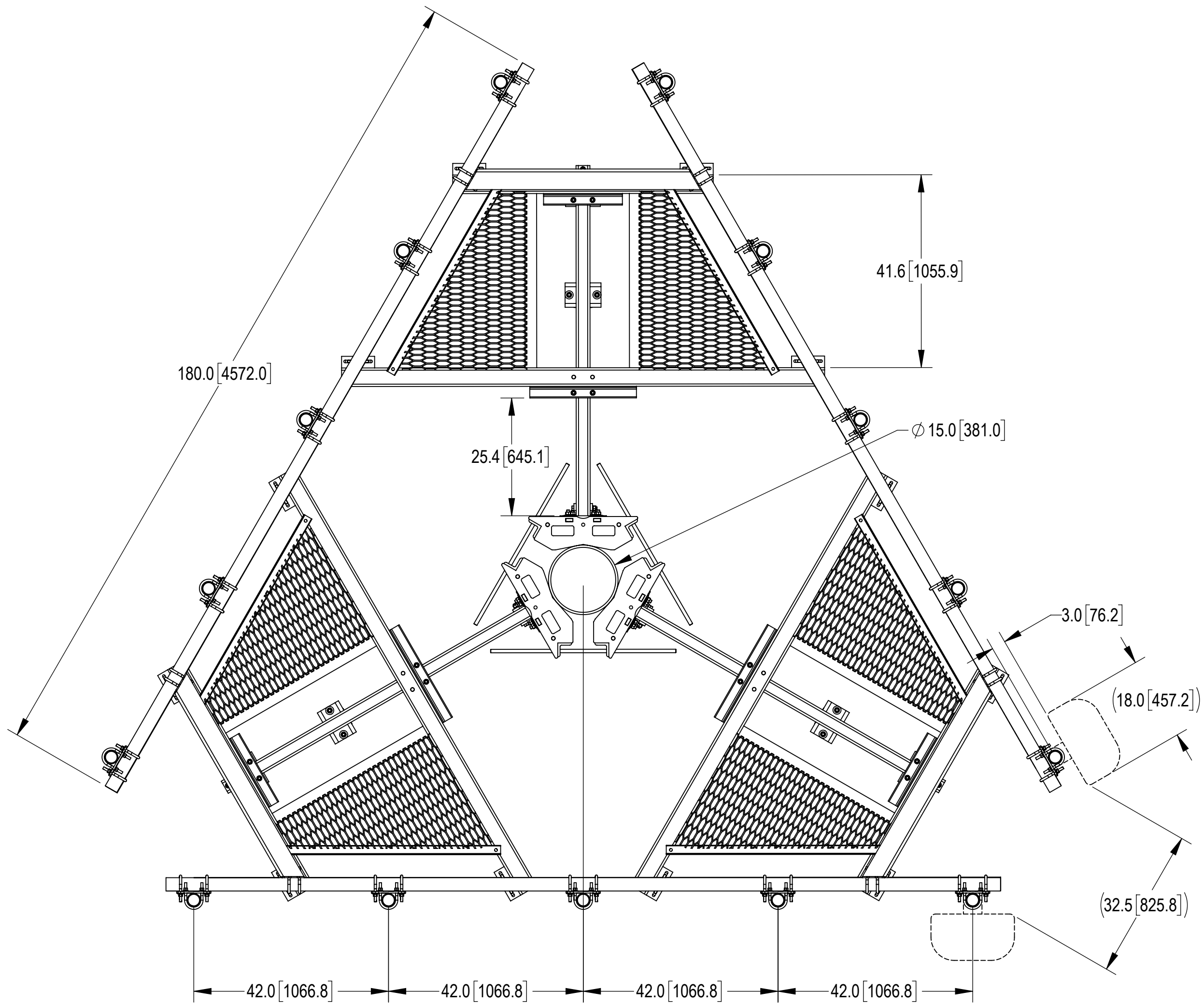
SECTION H-H
SCALE 1 : 6



SOME ITEMS OMITTED FOR CLARITY

COMMSCOPE, INC. OF NORTH CAROLINA				
TITLE MP, 15', 3S, (15) 2.88" X 126" PIPE, W/HR				
SIZE C	SCALE 1:20	DOCUMENT NO. MP-PP15M-15C-126		
		DRAWING		SHEET
		VERSION	STATUS	REVISION
		00	RE	C
				5 OF 10

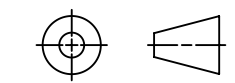
ANTENNA SPACING SHOWN



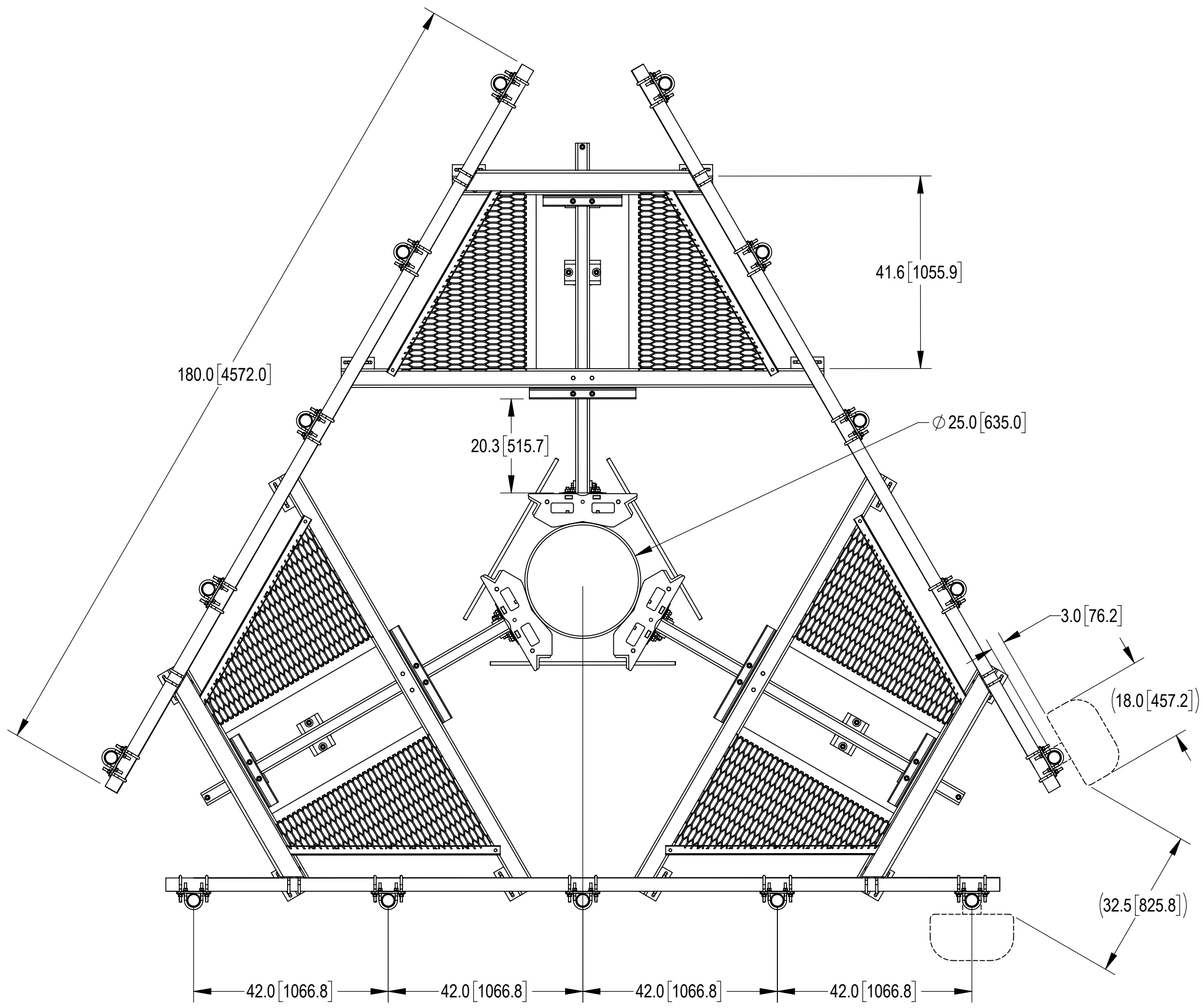
15" MONOPOLE

COMMSCOPE, INC. OF NORTH CAROLINA				
TITLE MP, 15', 3S, (15) 2.88" X 126" PIPE, W/HR				
SIZE C	SCALE 1:25	DOCUMENT NO. MP-PP15M-15C-126		
		DRAWING		SHEET
		VERSION	STATUS	REVISION
		00	RE	C
				6 OF 10

© 2024 CommScope, Inc. Confidential



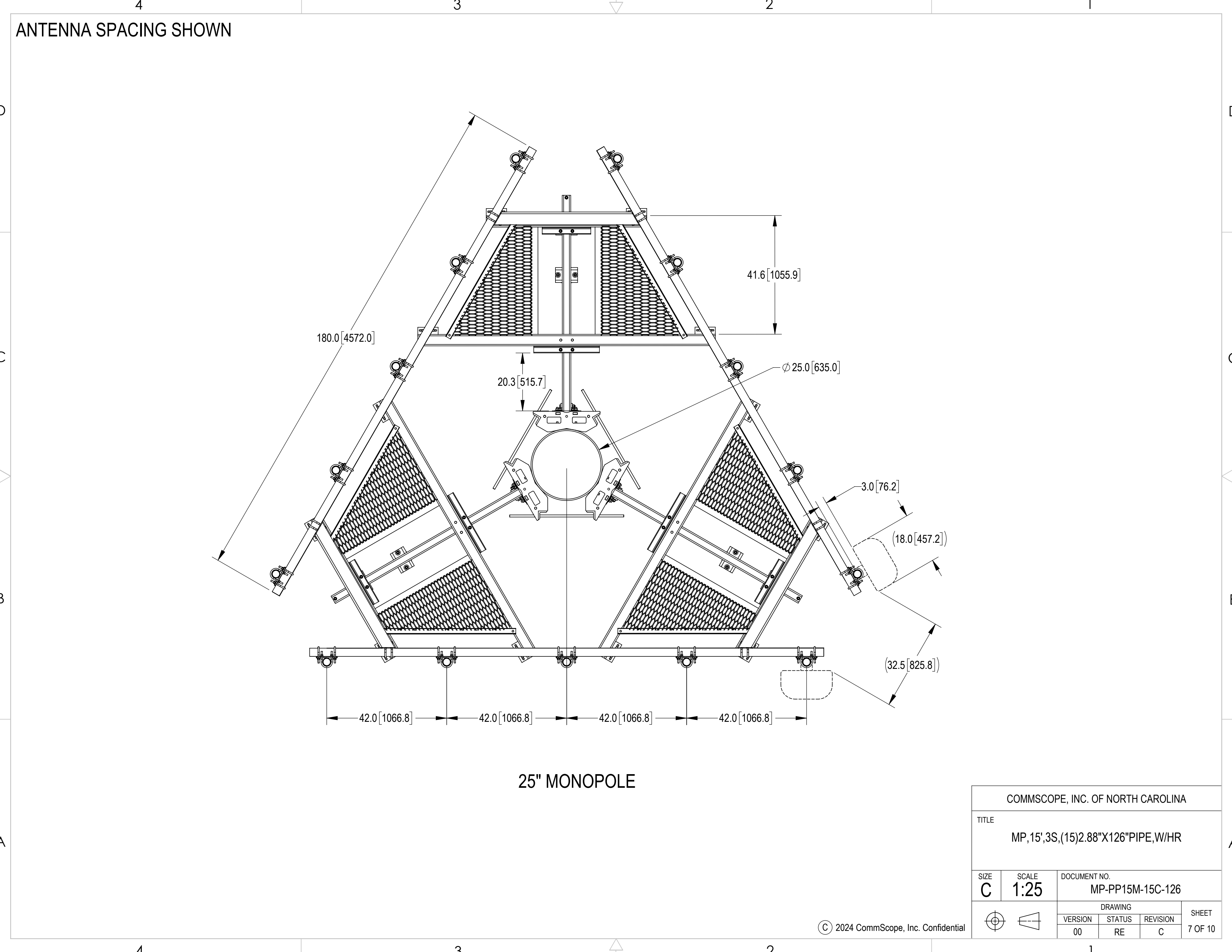
ANTENNA SPACING SHOWN



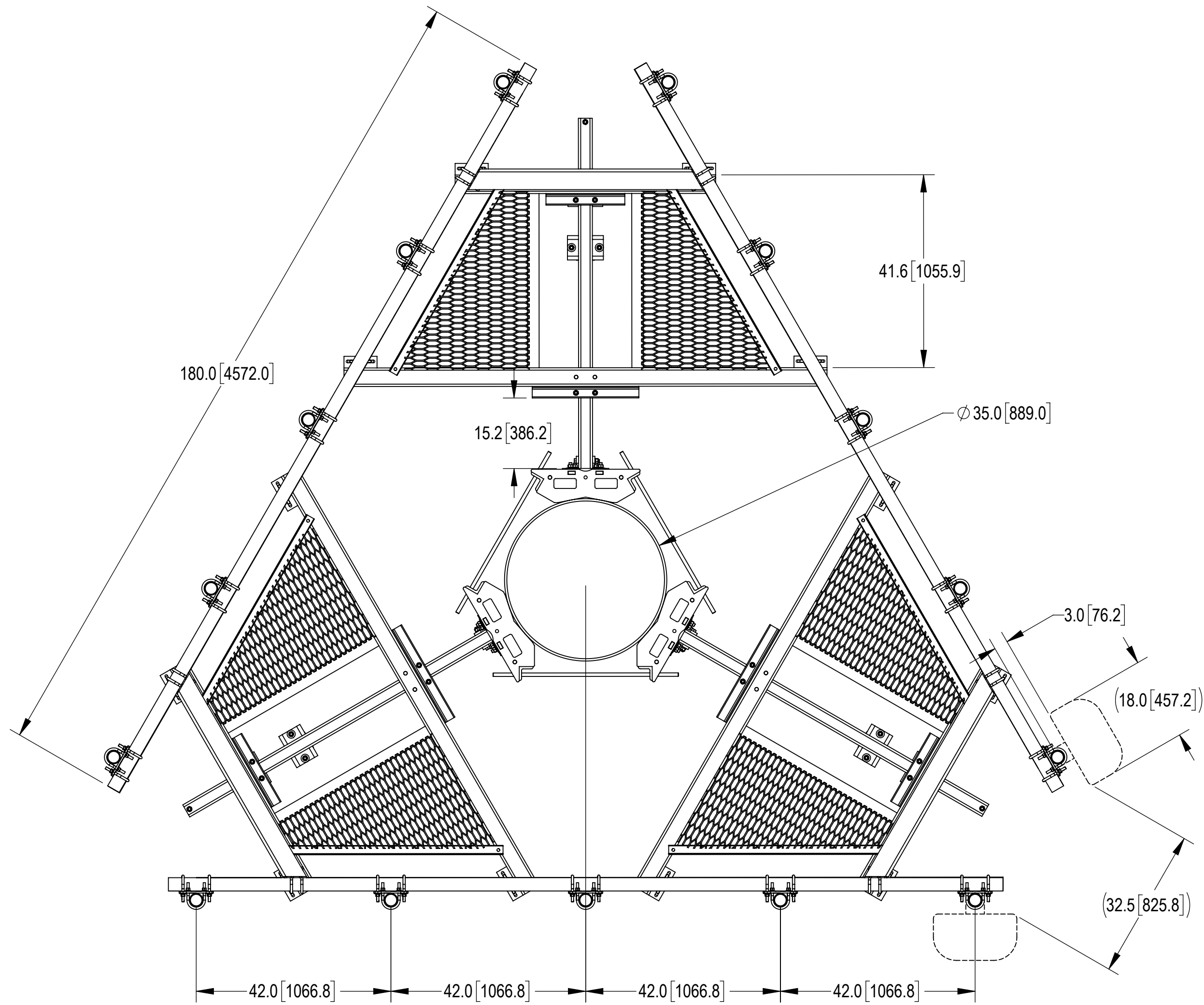
25" MONOPOLE

COMMSCOPE, INC. OF NORTH CAROLINA				
TITLE MP, 15', 3S, (15) 2.88" X 126" PIPE, W/HR				
SIZE C	SCALE 1:25	DOCUMENT NO. MP-PP15M-15C-126		
		DRAWING		SHEET
		VERSION	STATUS	REVISION
		00	RE	C
				7 OF 10

© 2024 CommScope, Inc. Confidential



ANTENNA SPACING SHOWN

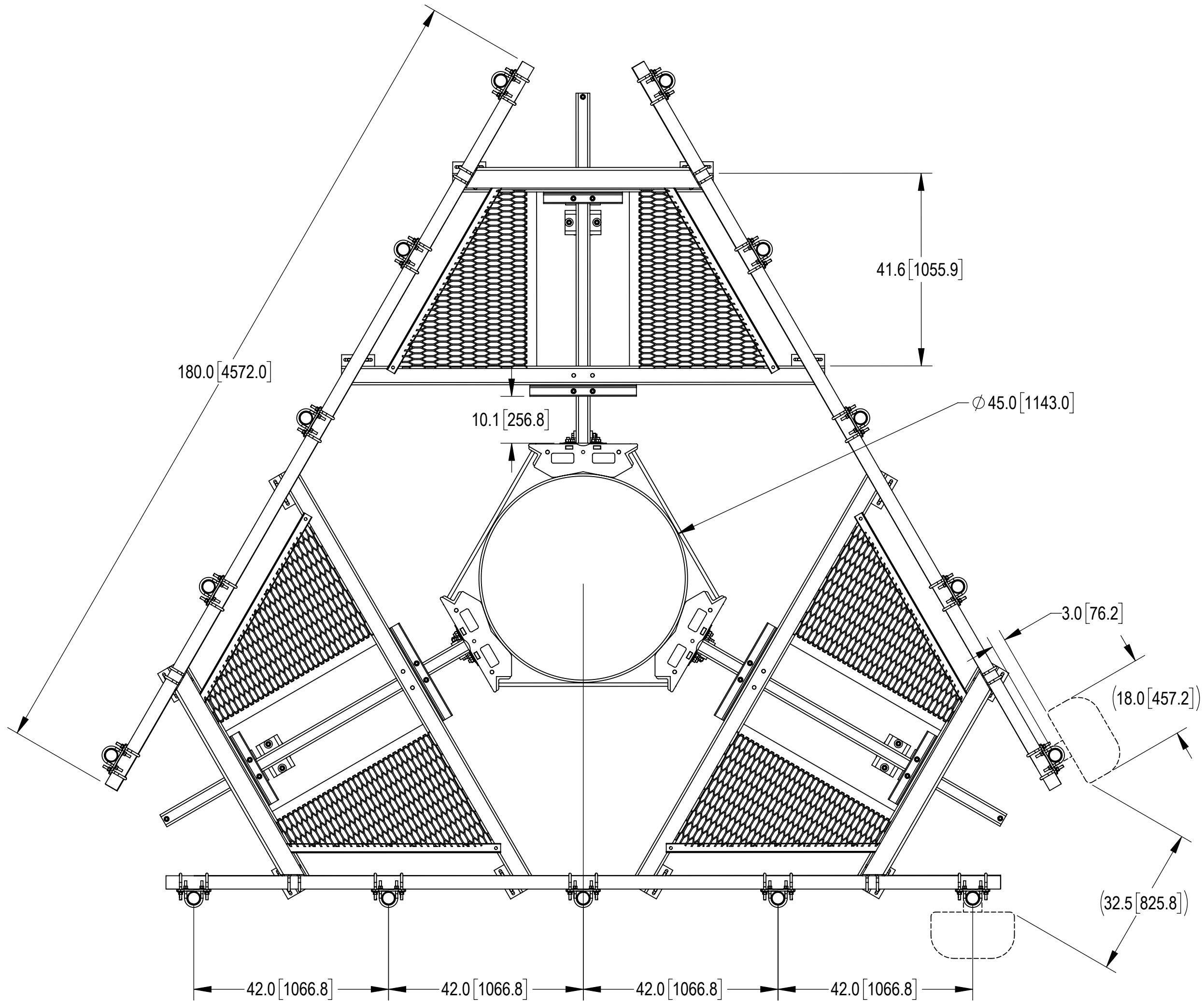


35" MONOPOLE

COMMSCOPE, INC. OF NORTH CAROLINA				
TITLE MP, 15', 3S, (15) 2.88" X 126" PIPE, W/HR				
SIZE C	SCALE 1:25	DOCUMENT NO. MP-PP15M-15C-126		
		DRAWING		SHEET
		VERSION	STATUS	REVISION
		00	RE	C
				8 OF 10

© 2024 CommScope, Inc. Confidential

ANTENNA SPACING SHOWN



45" MONOPOLE

COMMSCOPE, INC. OF NORTH CAROLINA				
TITLE MP, 15', 3S, (15) 2.88" X 126" PIPE, W/HR				
SIZE C	SCALE 1:25	DOCUMENT NO. MP-PP15M-15C-126		
		DRAWING		SHEET
		VERSION	STATUS	REVISION
		00	RE	C
				9 OF 10

© 2024 CommScope, Inc. Confidential

4

3

2

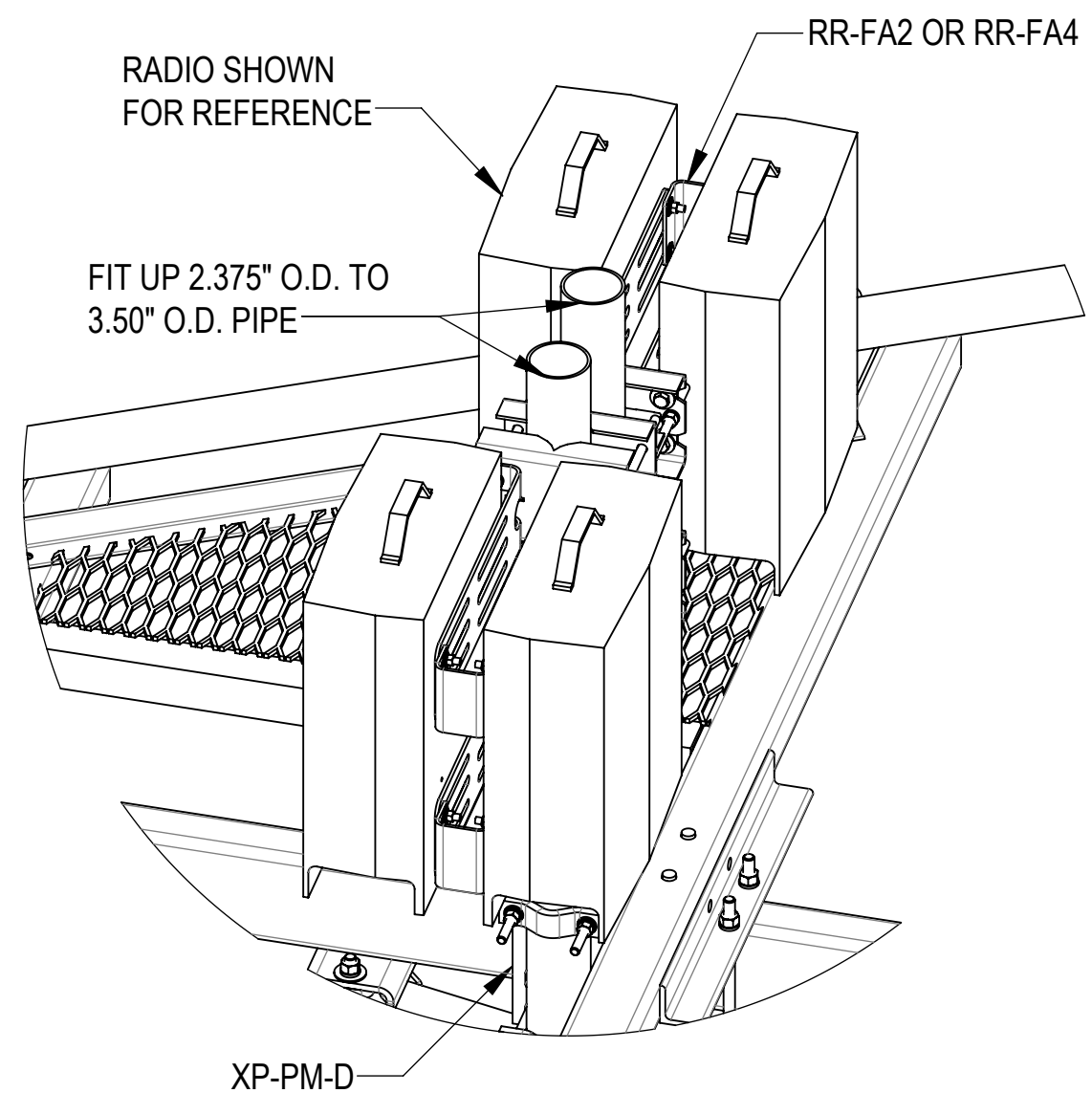
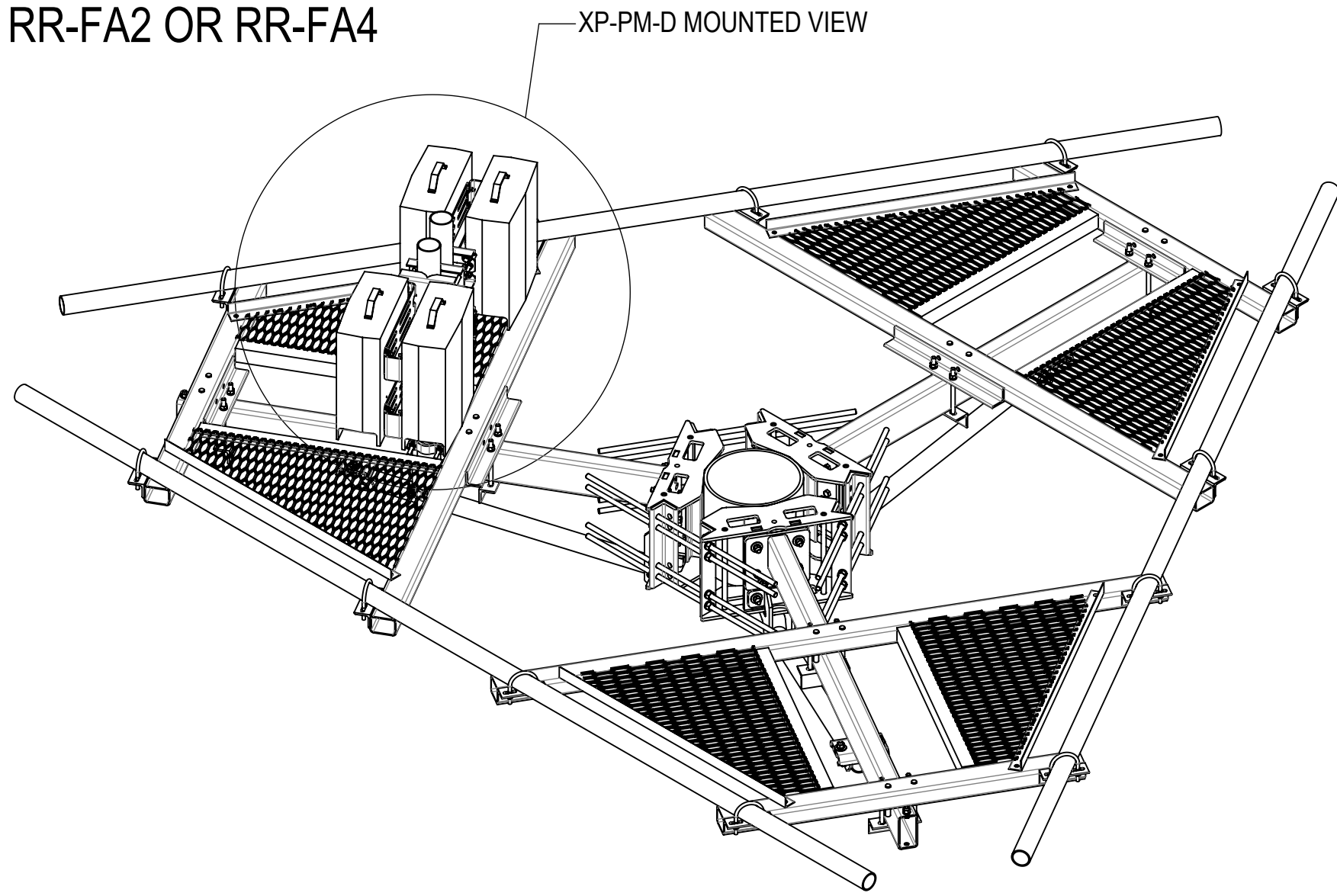
1

OPTIONAL ACCESSORIES

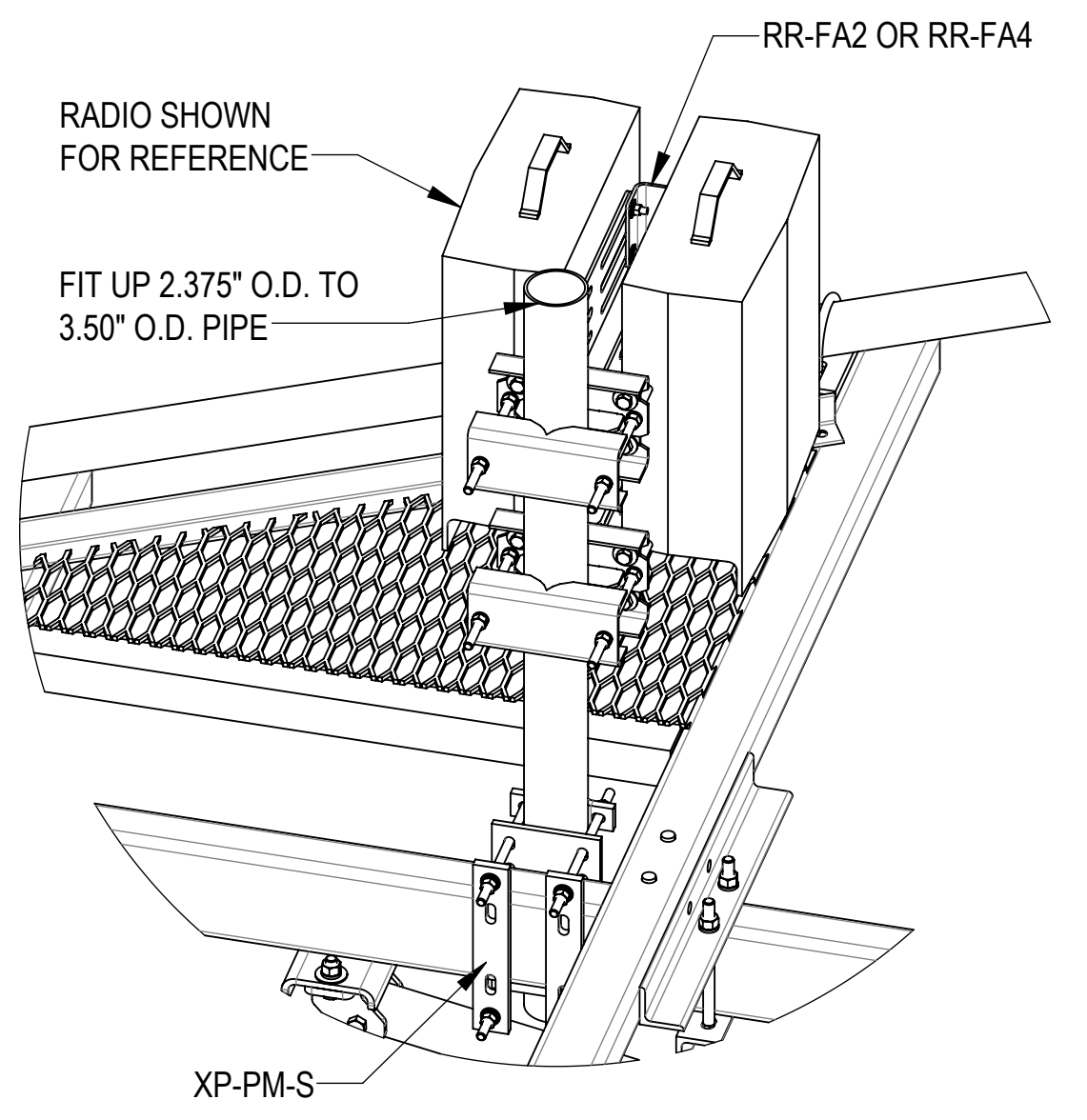
(ALL THE ACCESSORY ITEMS TO BE PURCHASED SEPARATELY)

MP RRU SUPPORT KIT:

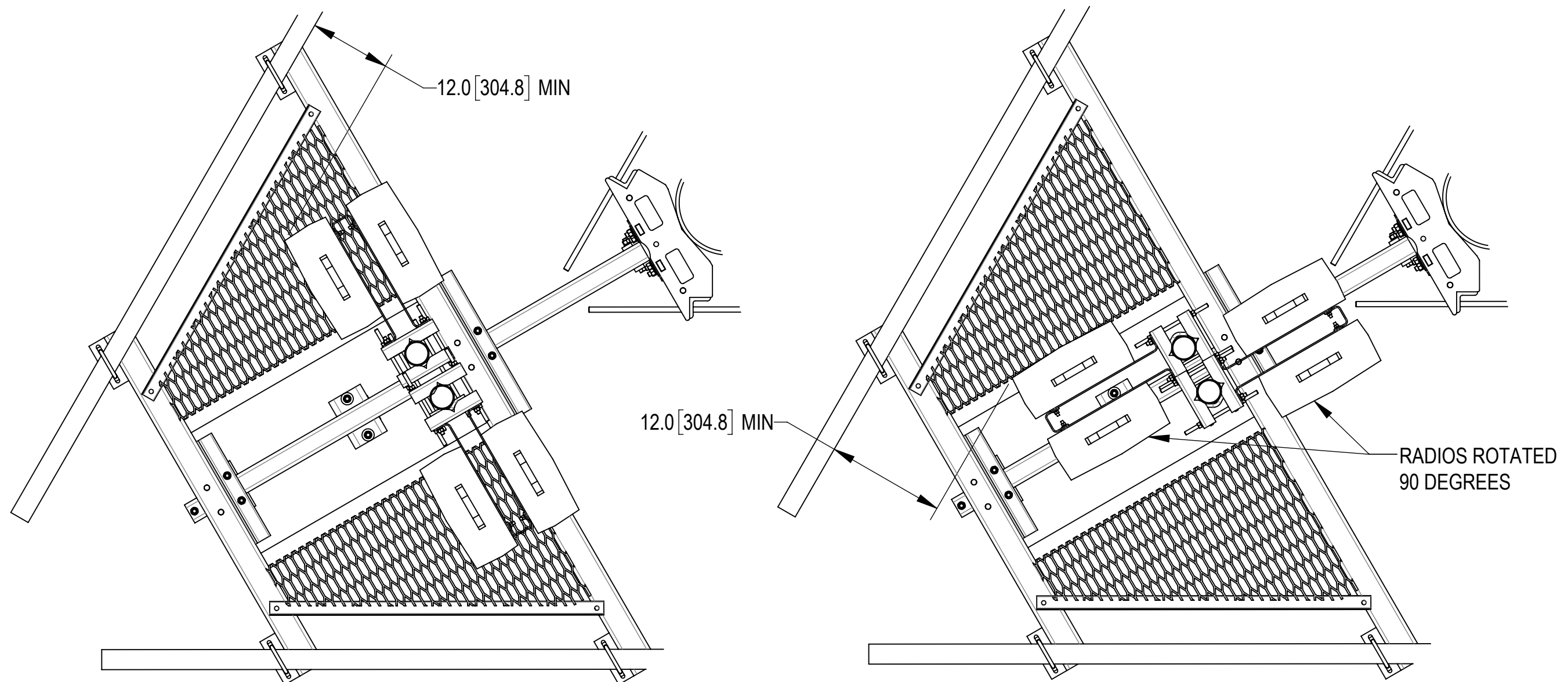
- XP-PM-D
- XP-PM-S
- RR-FA2 OR RR-FA4



(HIDE ONE SIDE OF THE RRU FOR CLARITY)
 DETAIL XP-PM-D MOUNTED VIEW
 SCALE 1 : 10



DETAIL XP-PM-S MOUNTED VIEW
 SCALE 1 : 10



COMMSCOPE, INC. OF NORTH CAROLINA				
TITLE MP, 15', 3S, (15) 2.88" X 126" PIPE, W/HR				
SIZE C	SCALE 1:20	DOCUMENT NO. MP-PP15M-15C-126		
		DRAWING		SHEET
		VERSION	STATUS	REVISION
		00	RE	C
				10 OF 10

4

3

2

1