

4

3

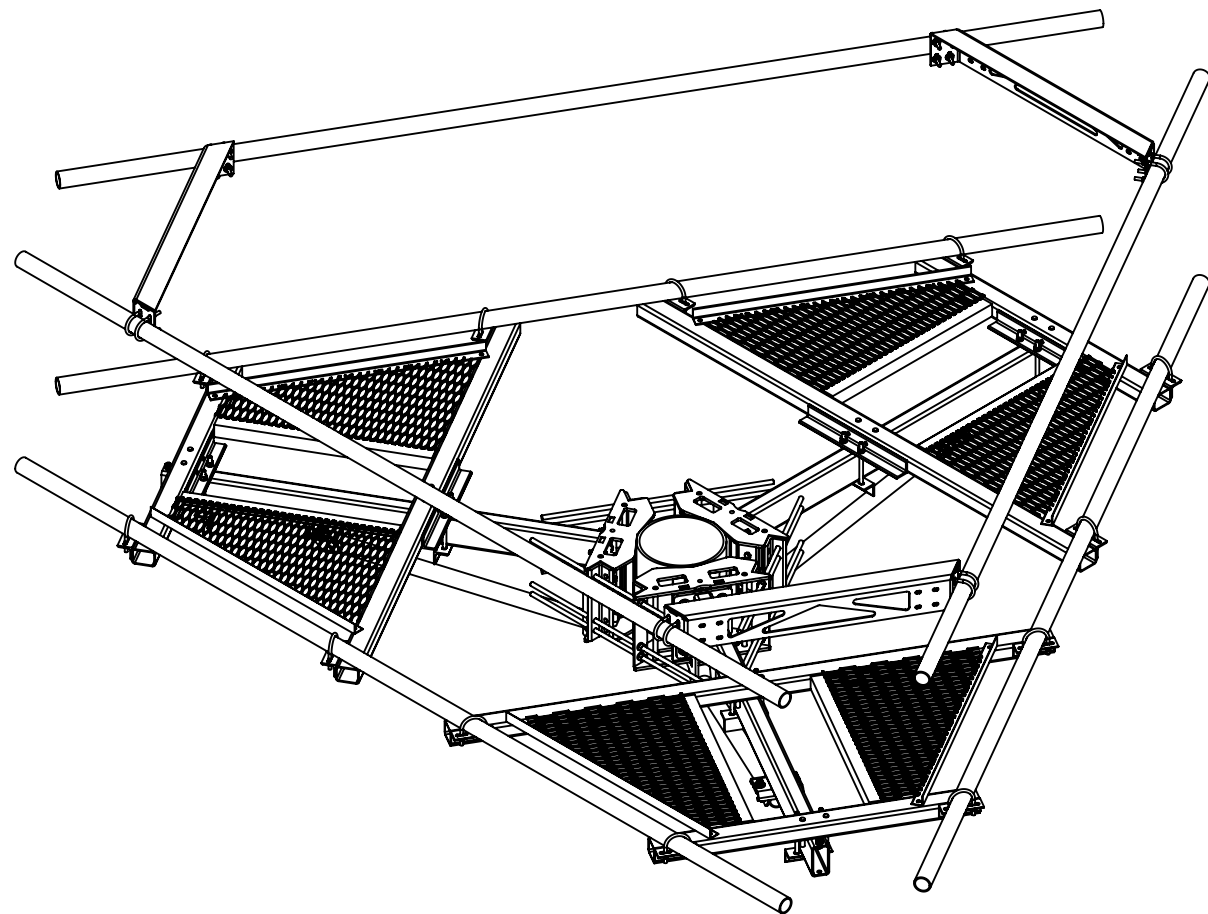
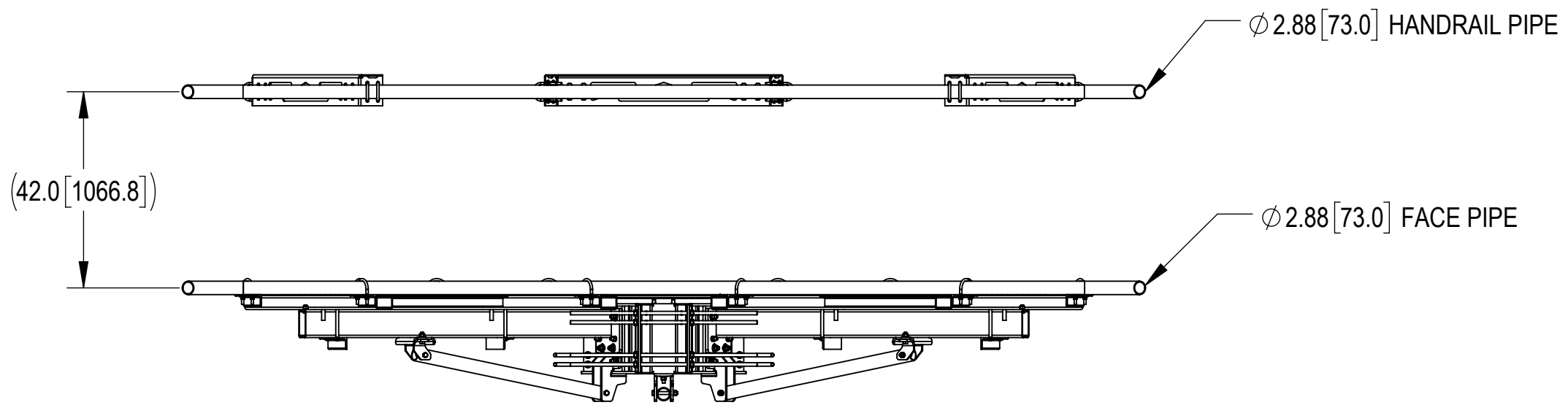
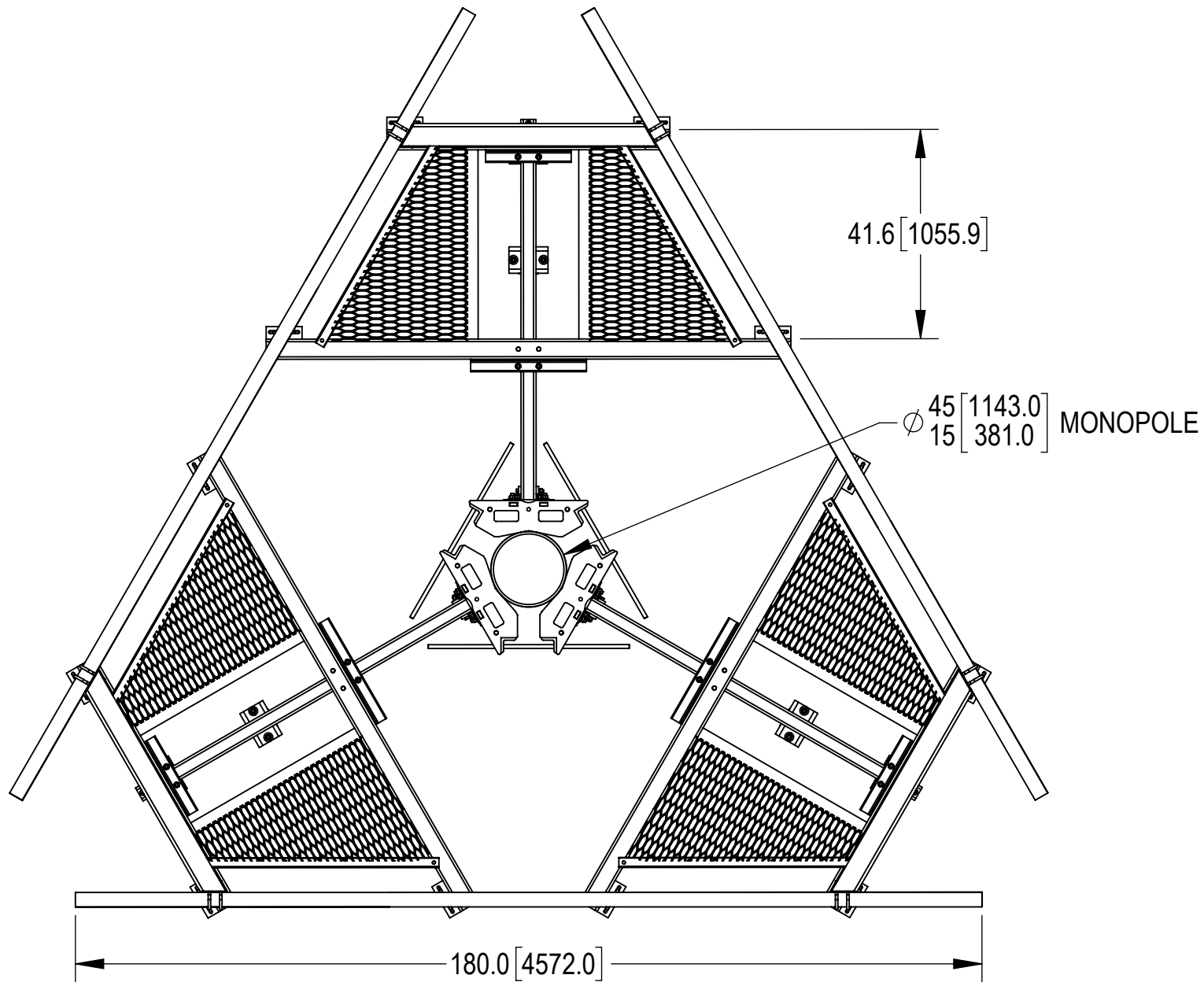
2

1

- 1.0 GENERAL NOTES
 - 1.1 ALL METRIC DIMENSIONS ARE IN BRACKETS [X.X]
 - 1.2 FOR PATENT INFO: <https://www.cs-pat.com>

- 2.0 DESIGN NOTES
 - 2.1 ANY HAZARDS OR OBSTRUCTIONS TO THE CLIMBING FACILITY AND SAFETY CLIMB MUST BE IDENTIFIED PRIOR TO INSTALLING THE APPURTENANCE. ADDITIONAL PRODUCTS MAY BE REQUIRED TO MAINTAIN THE INTEGRITY OF THE SAFETY CLIMB. DURING INSTALLATION, TEMPORARY AND/OR PERMANENT PRECAUTIONARY MEASURES SHOULD BE TAKEN TO PRESERVE THE CLIMBING FACILITY AND/OR SAFETY CLIMB.
 - 2.2 FITS MONOPOLES 15"-45" O.D.
 - 2.3 ANTENNA PIPES SHOULD BE CENTERED AND EVENLY SPACED.
 - 2.4 POSITION MOUNT OR ADJUST SAFETY CLIMB CABLE SO NOT TO HINDER OR DAMAGE OR OBSTRUCT THE SAFETY CLIMB. SAFETY CABLE ROUTING BRACKET MAY BE PURCHASED SEPARATELY.
- 3.0 MANUFACTURING/SPECIAL REQUIREMENTS
 - 3.1 TIGHTEN ALL BOLTS SECURING FLAT PLATES BY THE TURN-OF-NUT METHOD. TIGHTEN ALL U-BOLTS USING TURN-OF-NUT METHOD WITH ATTENTION TO LEAVE EQUAL DISTANCE AND EQUAL FORCE ON EACH LEG OF THE U-BOLT. ALL FASTENERS SHOULD BE TIGHTENED PER AISC 6.5.2.
 - 3.2 SUGGEST PRE-ASSEMBLE MINI KICKER BRACKET TO RING MOUNT ON THE GROUND.
- 4.0 TEST
- 5.0 PACKAGING
 - 5.1 PACKAGING SHALL MEET COMMSCOPE REQUIREMENTS PER DOCUMENT IS-PL-3005
 - 5.2 PRINTED DOCUMENT TO BE PLACED INSIDE POLYBAG AND THEN IN SHIPPING CONTAINER
 - 5.3 EXTRA HARDWARE MAY BE SUPPLIED, BAGGED AND SHIPPED

REVISIONS			
REV.	DESCRIPTION	DATE	APPROVED
C	CREATED INDIVIDUAL DRAWING	YMENG 05JUN24	CB1094 40197348CMO



COMMSCOPE, INC. OF NORTH CAROLINA														
TOLERANCES						SAP MATERIAL MASTER								
1 PLACE .X[X] ± 0.2[6.3]			3 PLACE .XXX[X] ± 0.060[1.5]			MP-PP15M-B								
2 PLACE .XX[X] ± 0.12[3.0]			ANGLES ± 2°											
FINISH						MATERIAL								
MP, 15', 3S, BASE-KIT, W/HR, 15-45"-POLE														
SCALE: 1:28 DOCUMENT NO. MP-PP15M-B														
ECN 40197348CMO														
SIZE			Auth Group			INSL			MODEL			DRAWING		
C			⊕			◁			VERSION			STATUS		
03			RE			D			00			RE		
									REVISION			REVISION		
									00			RE		
									C			C		
SHEET 1 OF 10														

DENSITY	2086.94	lbs/in³
MASS	7757.01	lbs
VOLUME	65996.81	in³
SURFACE AREA		in²
HEIGHT		
LENGTH		
WIDTH		

4

3

2

1

4

3

2

1

PART NUMBERS, WEIGHTS, & EPA

TABLE 1: CONFIGURATIONS


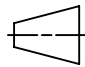
PART NUMBER	DESCRIPTION	WEIGHT (LBS)	(EPA)A (FT^2)*	(EPA)A 1/2" ICE THICKNESS (FT^2)*	ANTENNA PIPES	INCLUDED PARTS				
						MC-RMHD-1245-3	MC-AS-SB03	RK-48-3MK	MPPP-HK01	MT546180
MP-PP15M-B	MP,15',3S,BASE-KIT,W/HR,15-45"-POLE	2086.94	36.66	48.93	-	1	1	1	3	1

* (EPA)A DOES NOT INCLUDE ANTENNA PIPES AND MOUNTING HARDWARE.

COMMSCOPE, INC. OF NORTH CAROLINA

TITLE
MP,15',3S,BASE-KIT,W/HR,15-45"-POLE

SIZE C	SCALE 1:48	DOCUMENT NO. MP-PP15M-B
------------------	----------------------	----------------------------

 	DRAWING			SHEET 2 OF 10
	VERSION 00	STATUS RE	REVISION C	

4

3

2

1

4

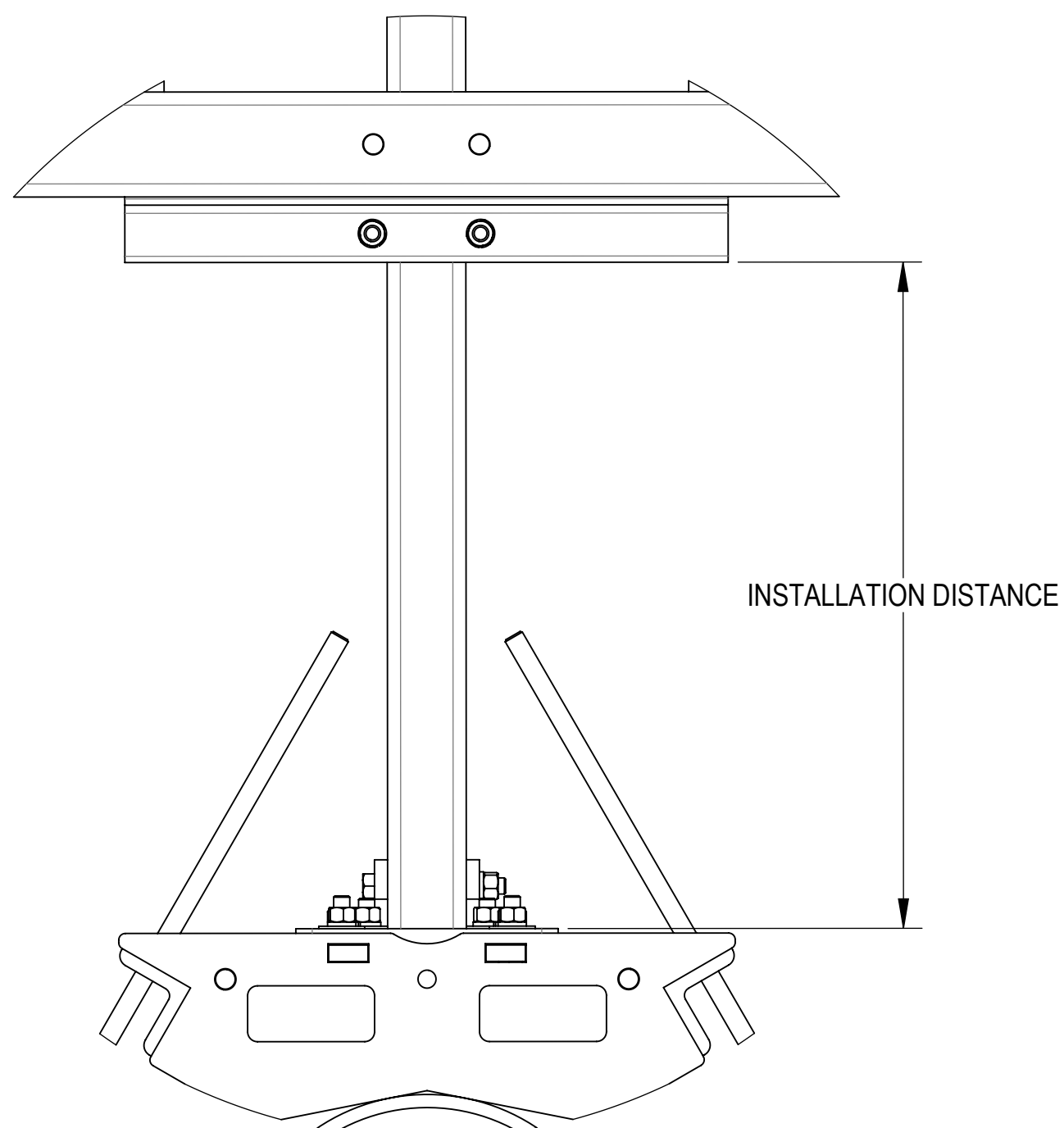
3

2

1

PLATFORM FOR INSTALLATION

ADJUST THE INSTALLATION DISTANCE ACCORDING TO THE DIAMETER OF THE MONOPOLE WHEN INSTALL PLATFORM MC-AS-7000-00. SEE TABLE 3 DETAIL FOR THE DISTANCE ADJUSTED.



DETAIL X
SCALE 1 : 6

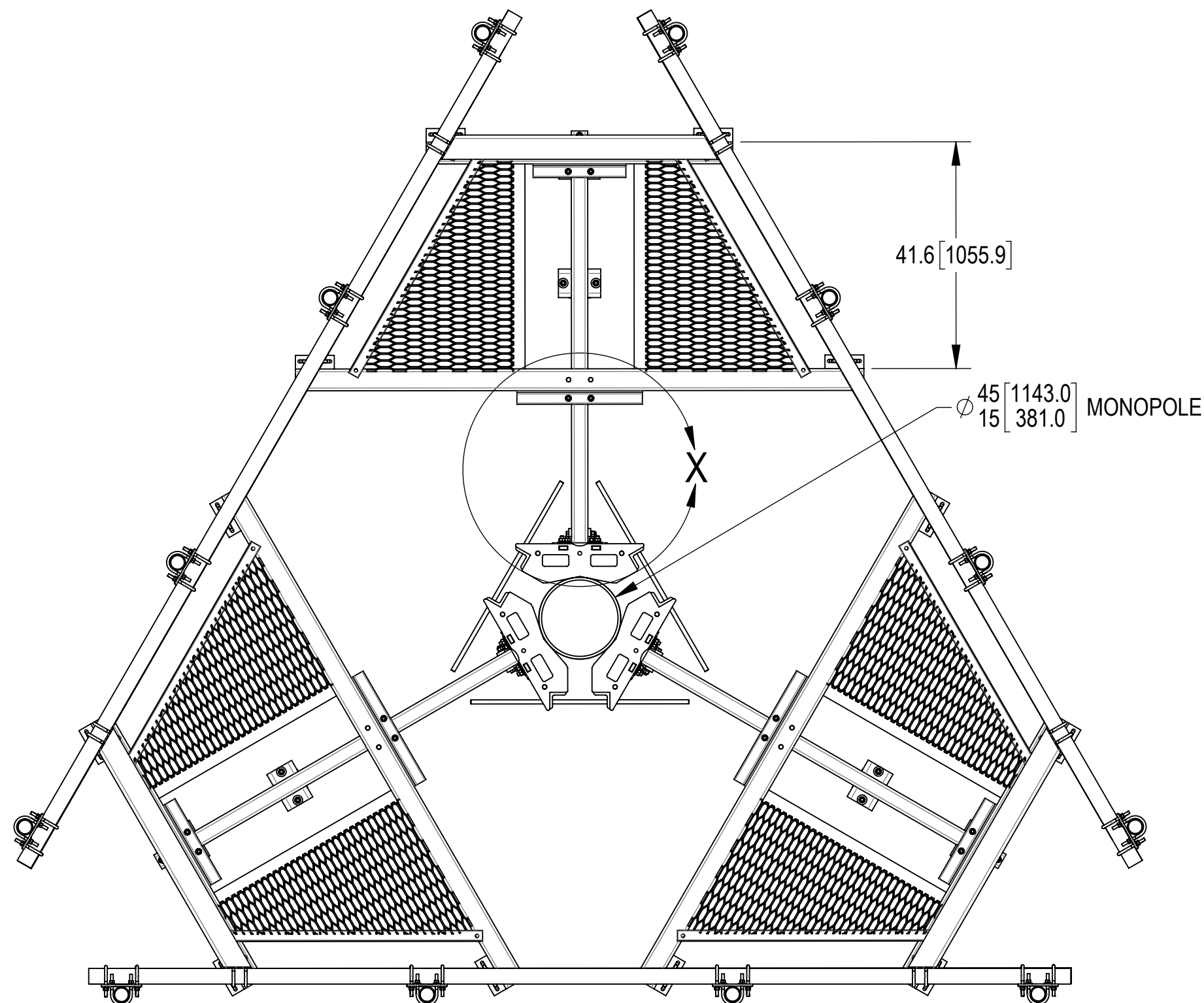


TABLE 3: PLATFORM INSTALLATION POSITION

DIAMETER OF MONOPOLE (INCH)	DISTANCE (INCH)	DIAMETER OF MONOPOLE (MM)	DISTANCE (MM)
15	25.40	381.0	645.2
17.5	24.13	444.5	612.9
20	22.85	508.0	580.4
22.5	21.58	571.5	548.1
25	20.30	635.0	515.6
27.5	19.03	698.5	483.4
30	17.75	762.0	450.9
32.5	16.48	825.5	418.6
35	15.21	889.0	386.3
37.5	13.93	952.5	353.8
40	12.66	1016.0	321.6
42.5	11.38	1079.5	289.1
45	10.11	1143.0	256.8

NOTE: FOR MONOPOLE DIAMETERS THAT ARE NOT IN THE TABLE, USE BELOW FORMULA TO GET THE VALUE OF THE ADJUSTMENT:
DISTANCE OF ADJUSTMENT = 33.05 - 0.51 * D (INCH), WHERE D(INCH) IS THE DIAMETER OF MONOPOLE

COMMSCOPE, INC. OF NORTH CAROLINA

TITLE
MP, 15', 3S, BASE-KIT, W/HR, 15-45"-POLE

SIZE C	SCALE 1:23	DOCUMENT NO. MP-PP15M-B
------------------	----------------------	-----------------------------------

DRAWING			SHEET 3 OF 10
VERSION 00	STATUS RE	REVISION C	

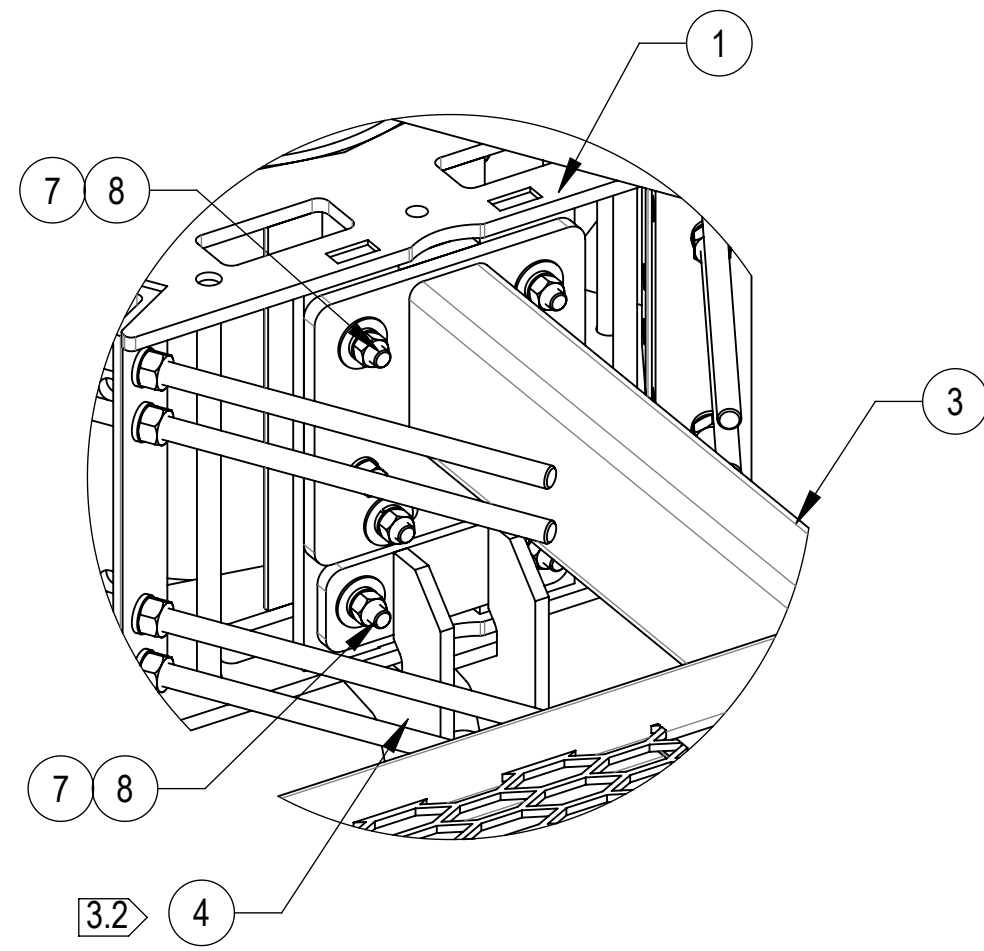
© 2024 CommScope, Inc. Confidential

4

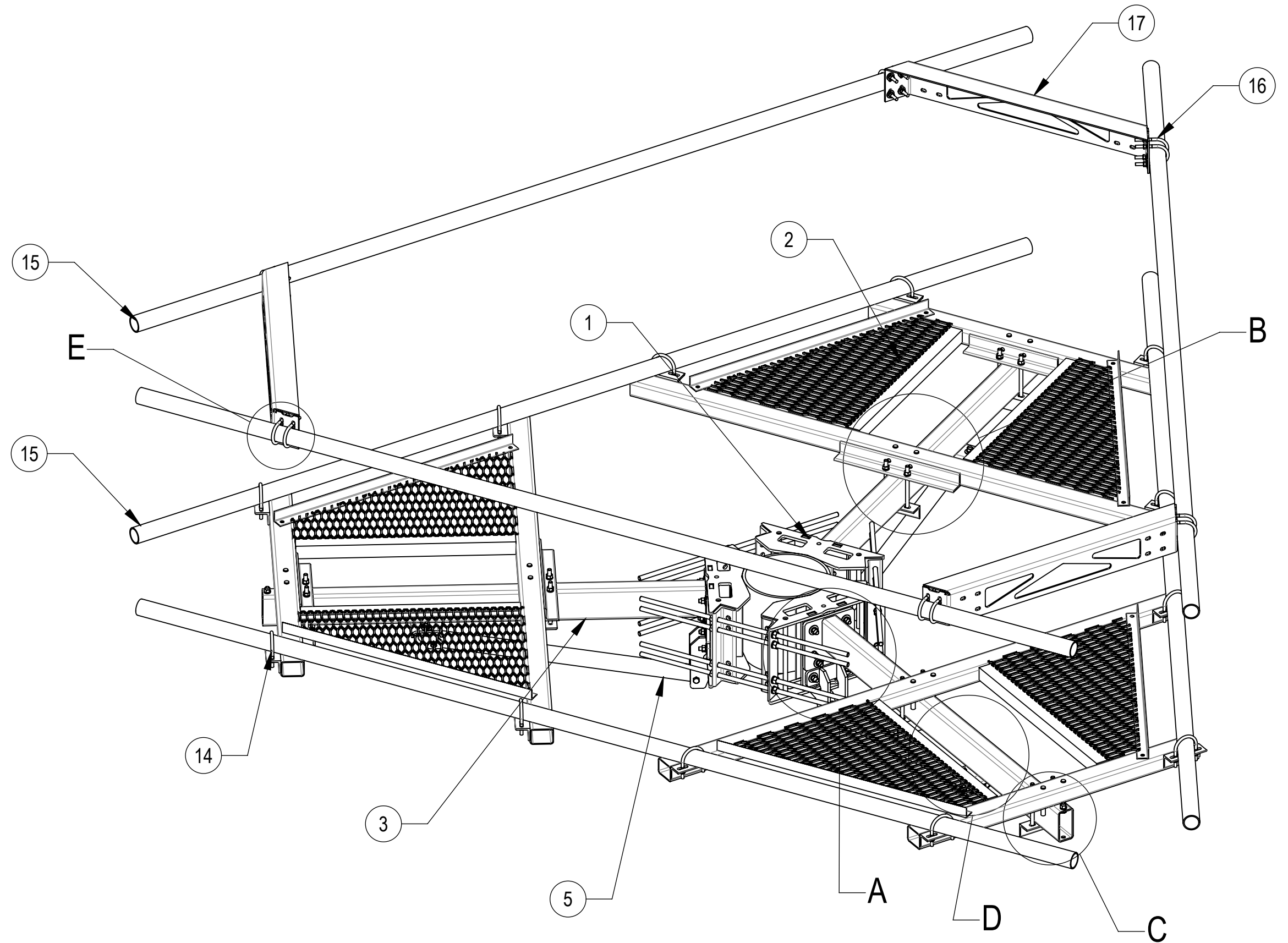
3

2

1



DETAIL A
SCALE 1 : 6

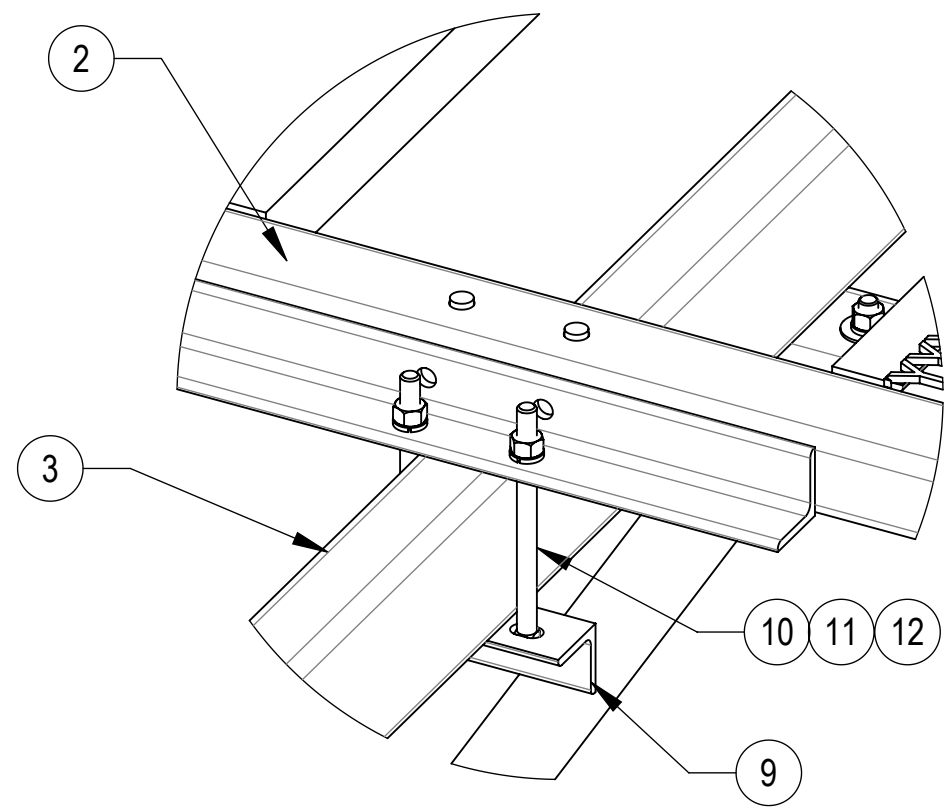


COMPONENT PART NUMBERS PROVIDED FOR ASSEMBLY PURPOSES;
INDIVIDUAL COMPONENTS MAY BE SHIPPED AS PARTS WITHIN AN INCLUDED KIT.

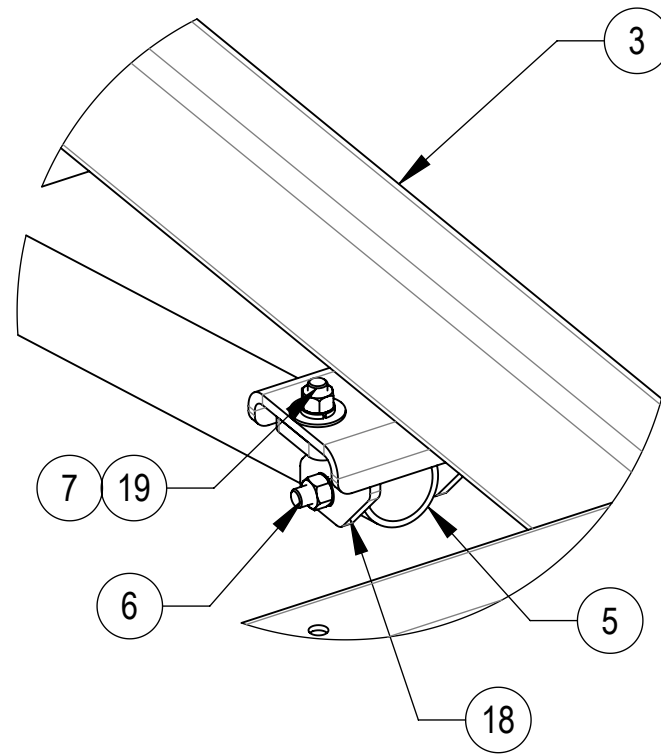
ITEM	PART NO.	DESCRIPTION	QTY.	WEIGHT	NOTE NO.
1	MC-RMHD-1245-3	3 SECTOR RING MOUNT, 12"-45" POLE	1	329.19 LBS	
2	MC-AS-7000-00	WELDMENT, CO-LOCATION PLATFORM DECK	3	208.07 LBS	
3	MC-AS-5000-00	WELDMENT, MONO PLATF SPINDLE	3	107.22 LBS	
4	MC-AS-6100-00	WELDMENT, MINI KICKER BRACKET	3	14.77 LBS	
5	RK48-00	MINI KICKER ARM SUPPORT TUBE 48"	3	22.96 LBS	
6	GB-0550A	5/8" X 5" GALV BOLT KIT (A325)	6	0.52 LBS	
7	GWF-05	5/8" GALV FLAT WASHER, 1.7OD	33	0.06 LBS	
8	GB-0524A	5/8" X 2-1/2" GALV HEX BOLT (A325)	27	0.31 LBS	
9	MC-AS-1200-00	CLAMP PLATE, CO-LOCATION PLATFORM	6	2.97 LBS	
10	9615-14	BOLT, CARRIAGE, 5/8-11, 8.5, STL GALV	12	0.82 LBS	
11	GWL-05	5/8" GALV LOCK WASHER	12	0.03 LBS	
12	GN-05	5/8" GALV HEX NUT	12	0.08 LBS	
13	GB-05125	5/8" X 1-1/4" GALV BOLT KIT	3	0.20 LBS	
14	GUB-4355	1/2" X 3-5/8" X 5" GALV U-BOLT	12	0.71 LBS	
15	MT546180	2.875" O.D. X 180" PIPE	6	87.21 LBS	
16	GUB-4352	1/2" X 3" X 5-1/4" GALV U-BOLT	12	0.71 LBS	
17	MC-AS-6300-00	CORNER WELDMEMT, HANDRAIL	3	31.87 LBS	
18	MC-AS-6400-00	WELDMENT, MINI KICKER CLIP	3	5.97 LBS	
19	GB-0520A	5/8" X 2" GALV BOLT KIT (A325)	6	0.26 LBS	

SOME ITEMS OMITTED FOR CLARITY

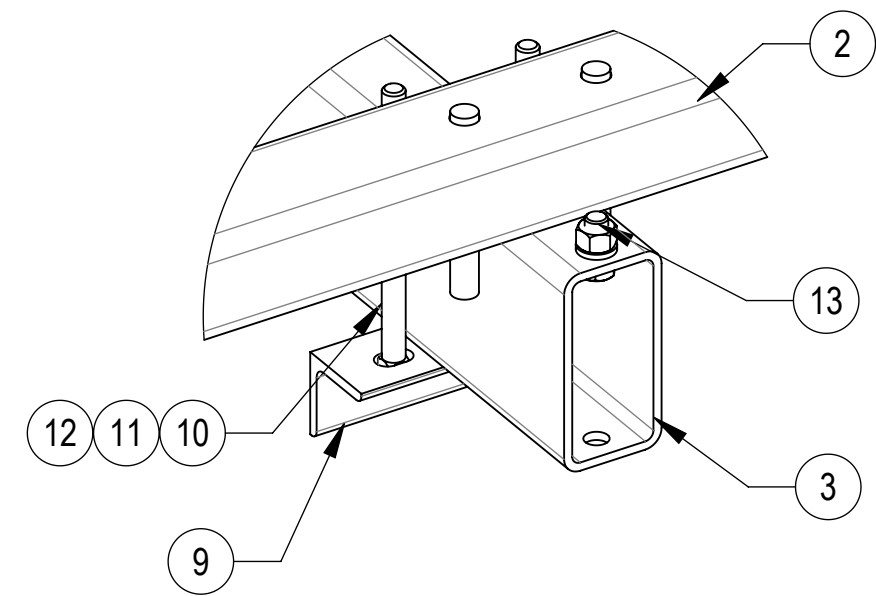
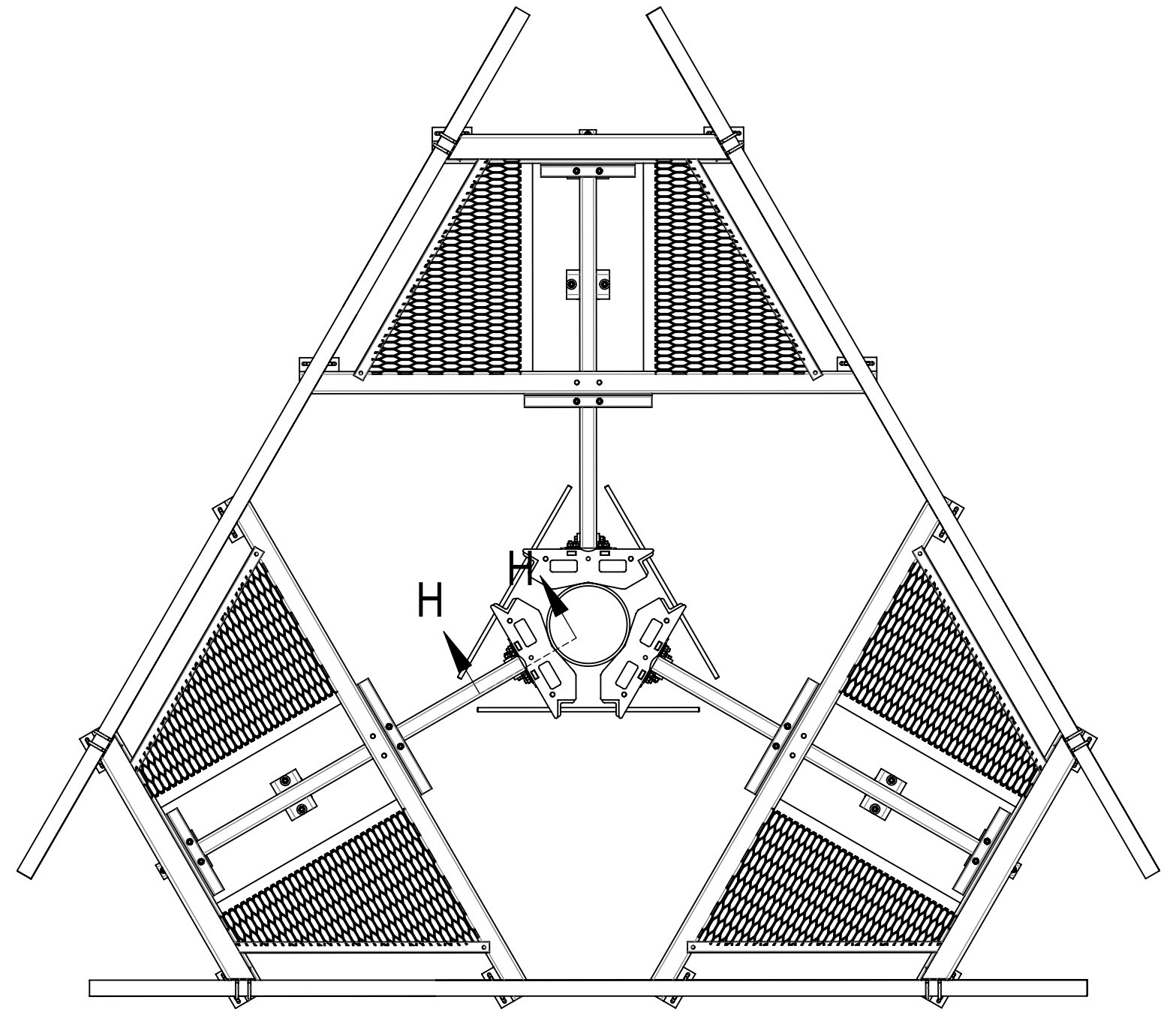
COMMSCOPE, INC. OF NORTH CAROLINA				
TITLE MP, 15', 3S, BASE-KIT, W/HR, 15-45"-POLE				
SIZE C	SCALE 1:20	DOCUMENT NO. MP-PP15M-B		
DRAWING		VERSION	STATUS	REVISION
		00	RE	C
				SHEET 4 OF 10



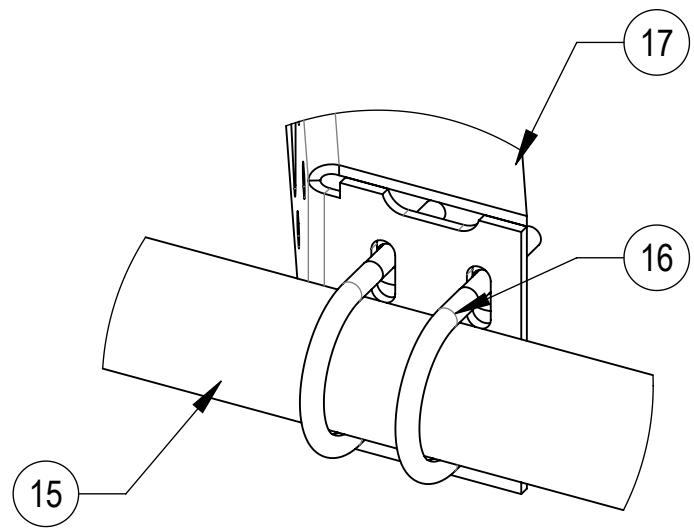
DETAIL B
SCALE 1 : 6



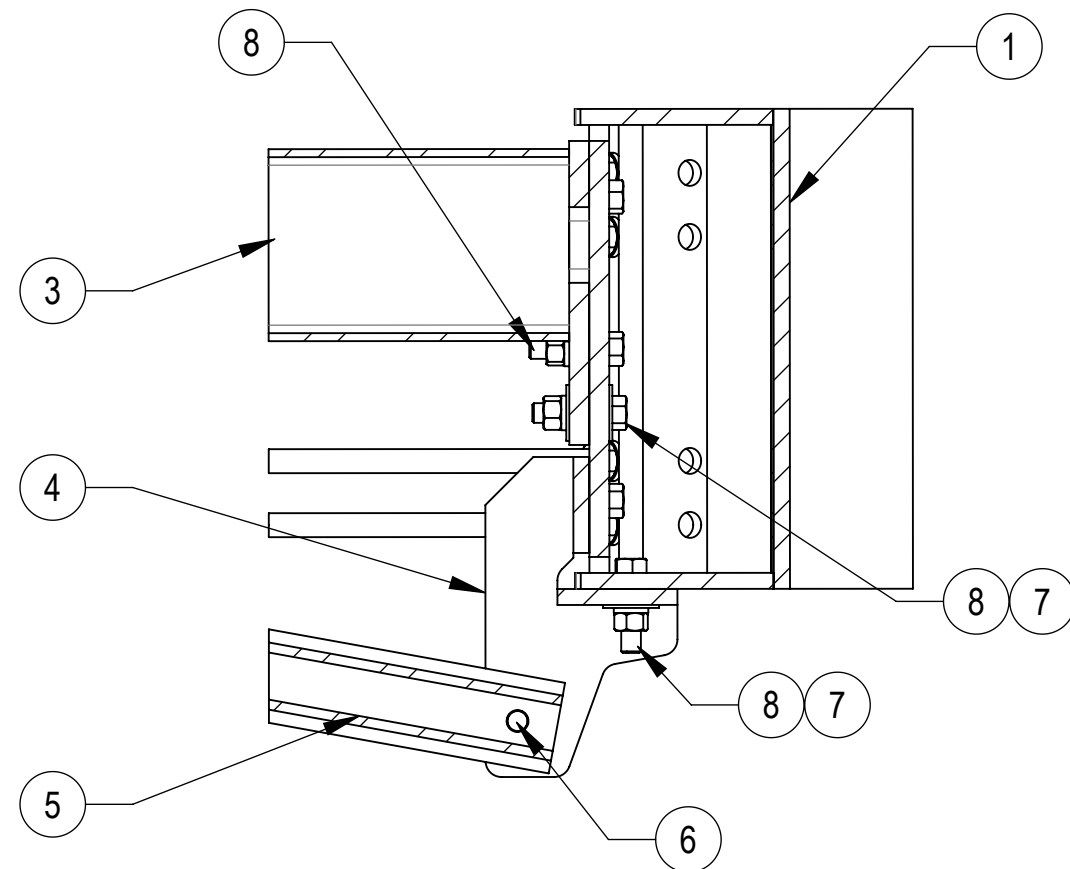
DETAIL D
SCALE 1 : 6



DETAIL C
SCALE 1 : 5



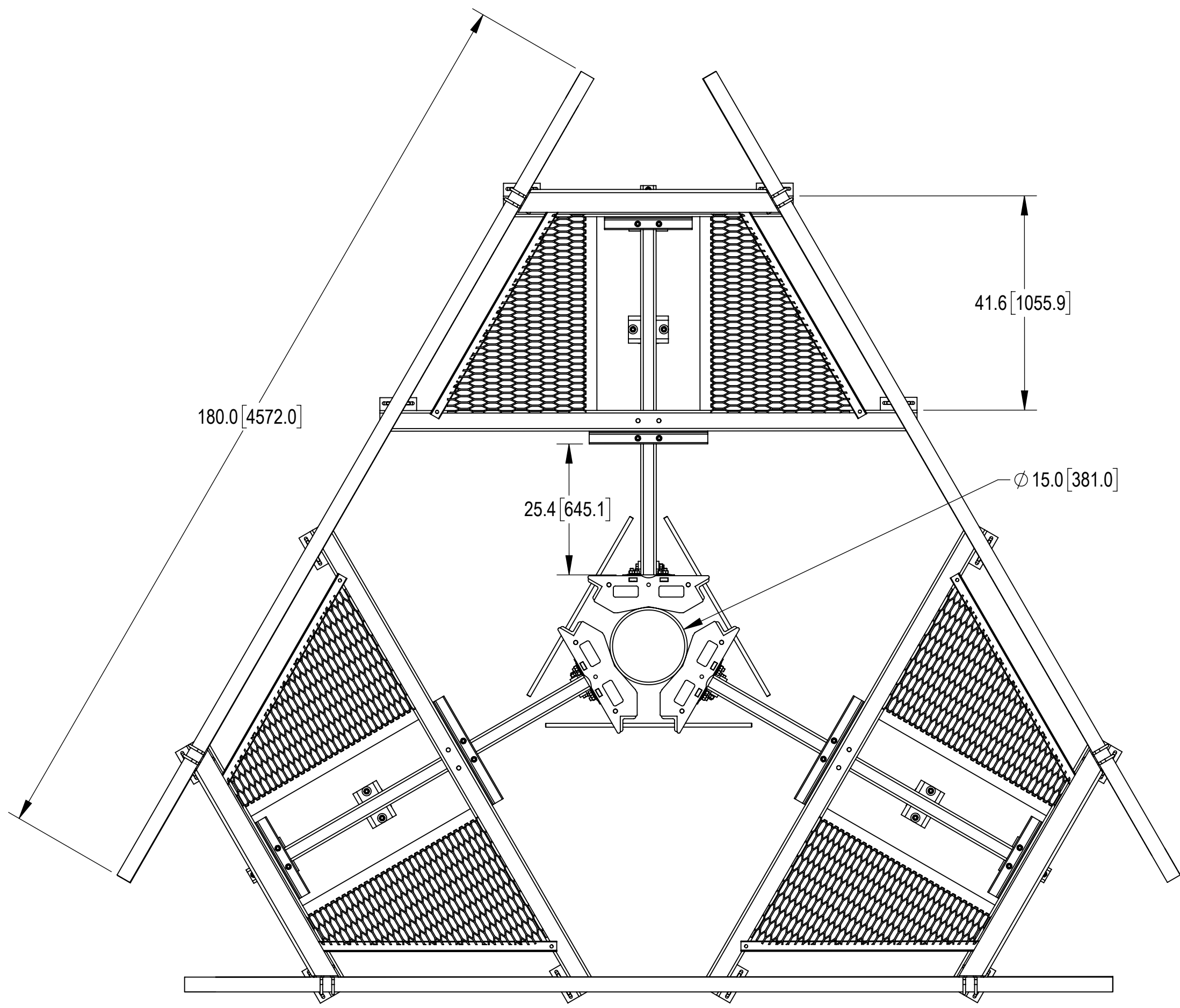
DETAIL E
SCALE 1 : 4



SECTION H-H
SCALE 1 : 6

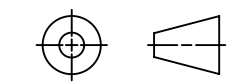
SOME ITEMS OMITTED FOR CLARITY

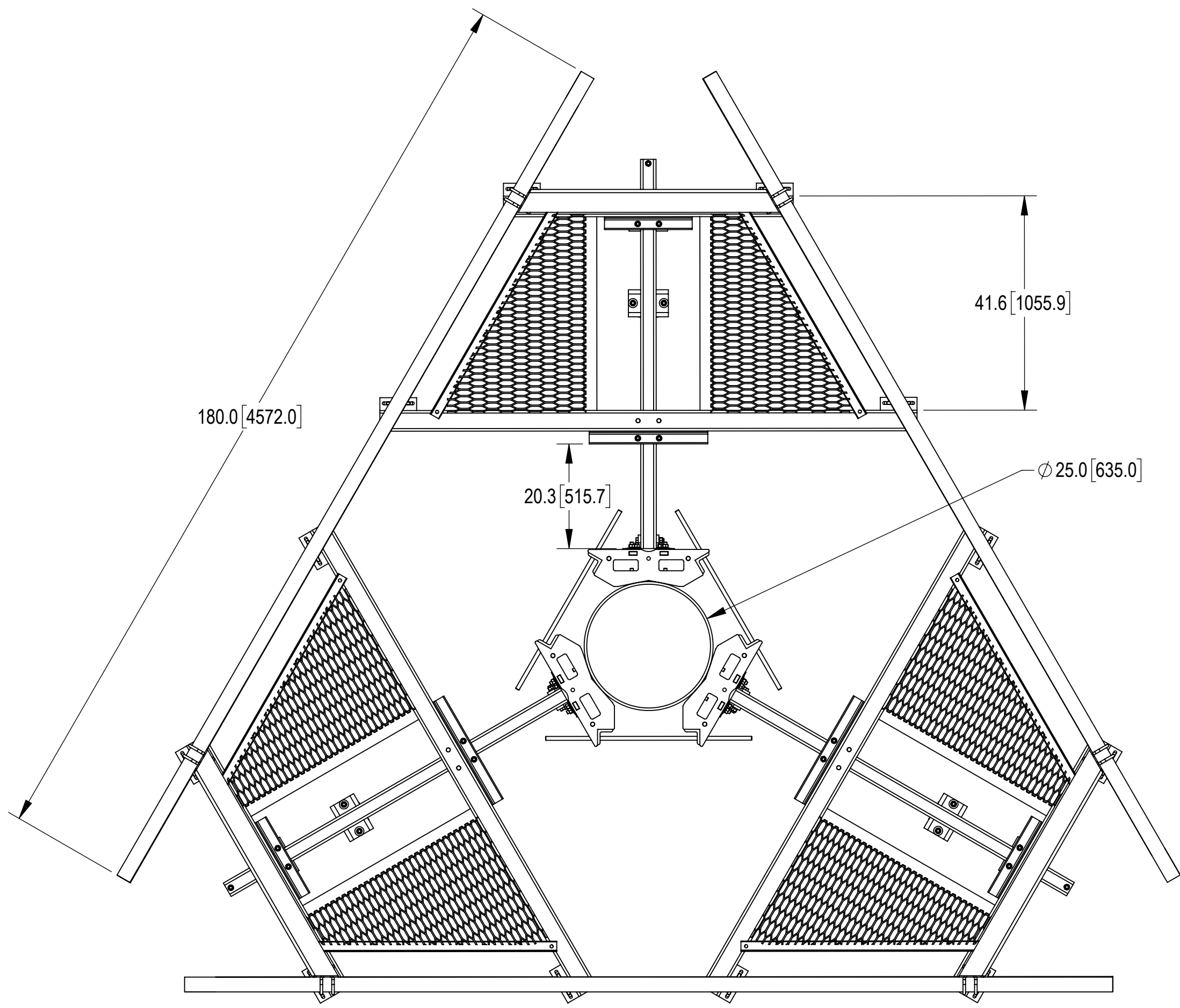
COMMSCOPE, INC. OF NORTH CAROLINA				
TITLE MP,15',3S,BASE-KIT,W/HR,15-45"-POLE				
SIZE C	SCALE 1:20	DOCUMENT NO. MP-PP15M-B		
		DRAWING		SHEET
		VERSION	STATUS	REVISION
		00	RE	C
				5 OF 10



15" MONOPOLE

COMMSCOPE, INC. OF NORTH CAROLINA				
TITLE MP,15',3S,BASE-KIT,W/HR,15-45"-POLE				
SIZE C	SCALE 1:25	DOCUMENT NO. MP-PP15M-B		
		DRAWING		SHEET
		VERSION	STATUS	REVISION
		00	RE	C
				6 OF 10





25" MONOPOLE

COMMSCOPE, INC. OF NORTH CAROLINA				
TITLE MP,15',3S,BASE-KIT,W/HR,15-45"-POLE				
SIZE C	SCALE 1:25	DOCUMENT NO. MP-PP15M-B		
		DRAWING		SHEET
		VERSION	STATUS	REVISION
		00	RE	C
				7 OF 10

4

3

2

1

D

D

C

C

B

B

A

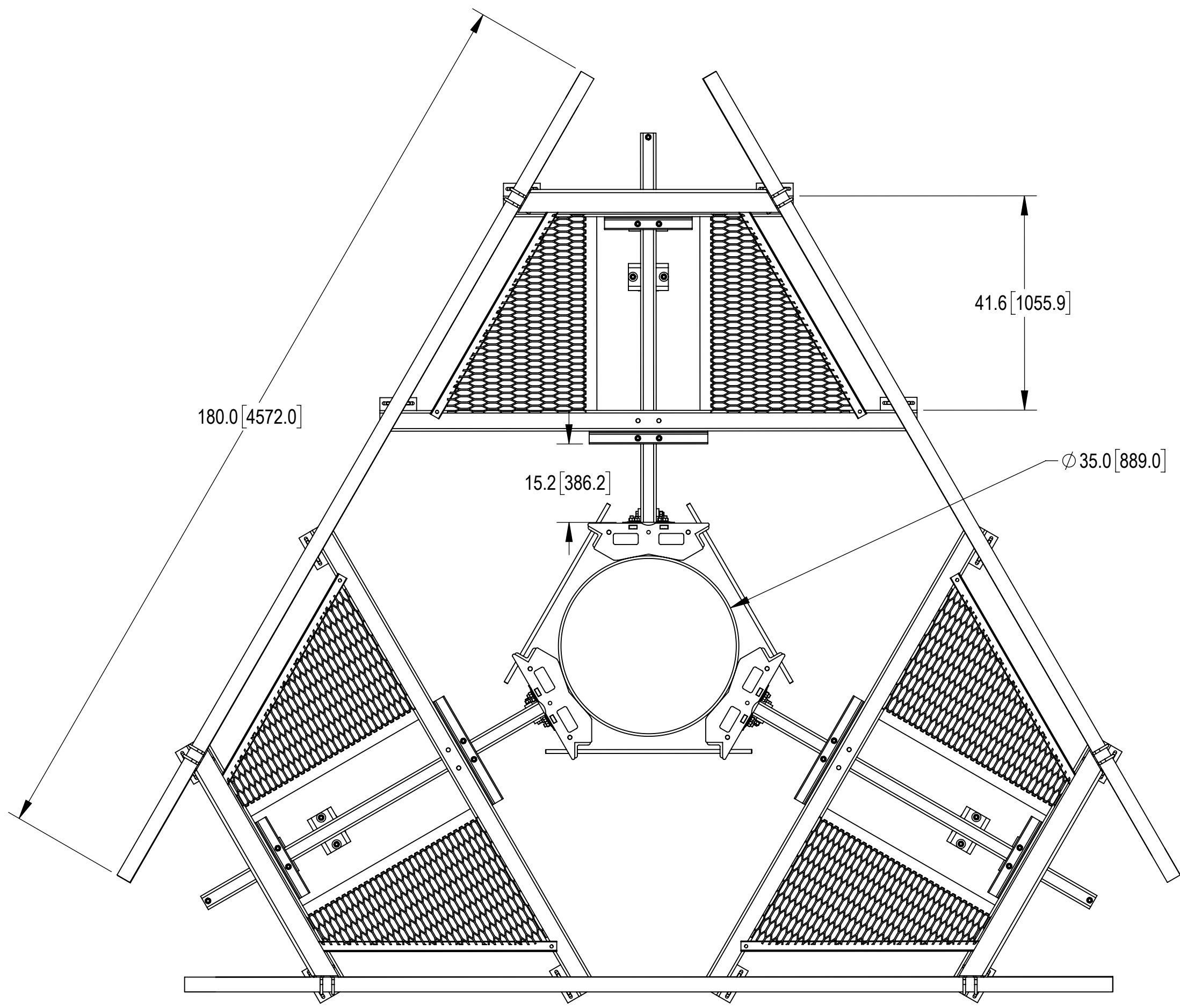
A

4

3

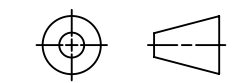
2

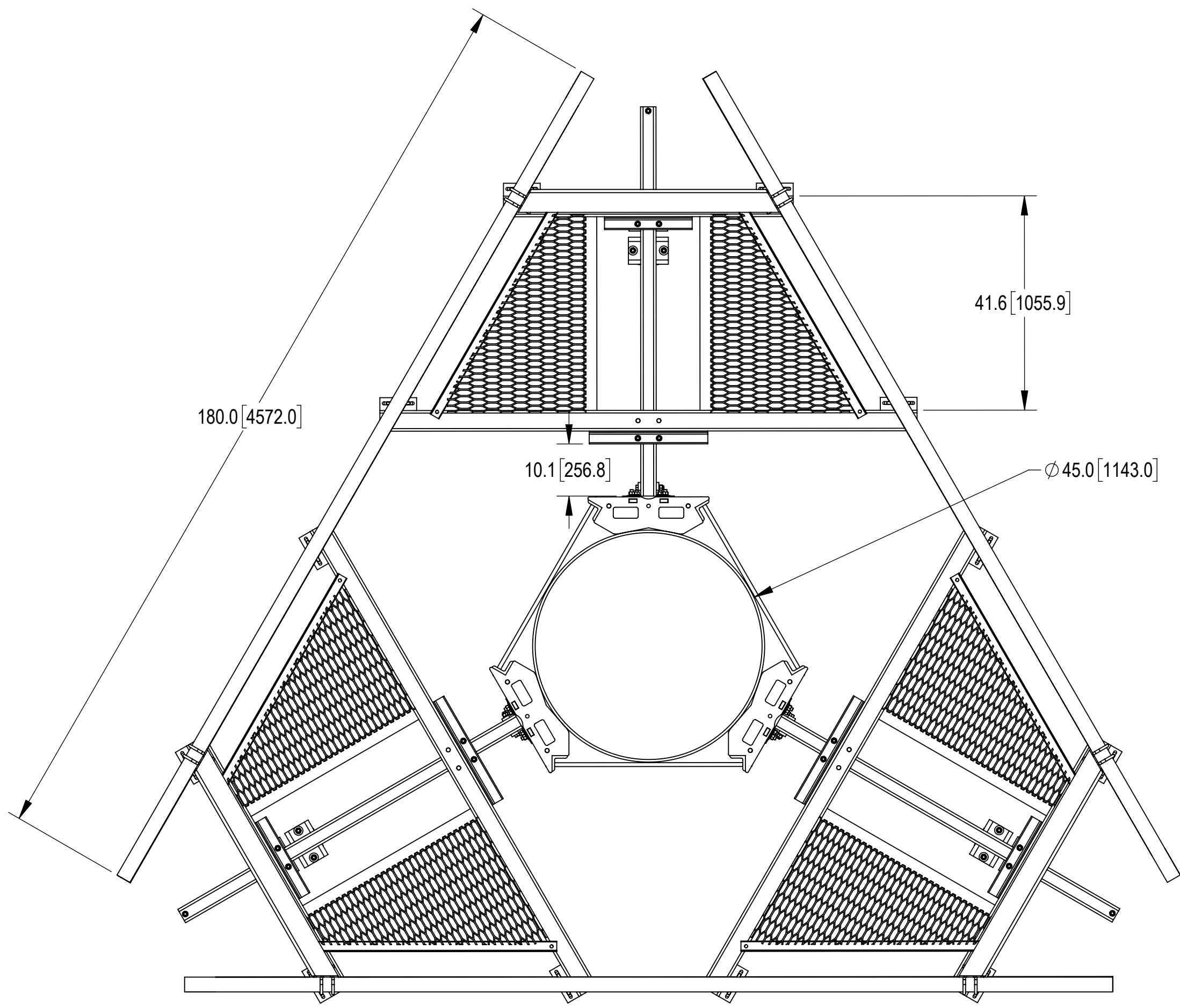
1



35" MONOPOLE

COMMSCOPE, INC. OF NORTH CAROLINA				
TITLE MP,15',3S,BASE-KIT,W/HR,15-45"-POLE				
SIZE C	SCALE 1:25	DOCUMENT NO. MP-PP15M-B		
		DRAWING		SHEET
		VERSION	STATUS	REVISION
		00	RE	C
				8 OF 10





45" MONOPOLE

COMMSCOPE, INC. OF NORTH CAROLINA				
TITLE MP,15',3S,BASE-KIT,W/HR,15-45"-POLE				
SIZE C	SCALE 1:25	DOCUMENT NO. MP-PP15M-B		
		DRAWING		SHEET
		VERSION	STATUS	REVISION
		00	RE	C
				9 OF 10

4

3

2

1

D

D

C

C

B

B

A

A

4

3

2

1

4

3

2

1

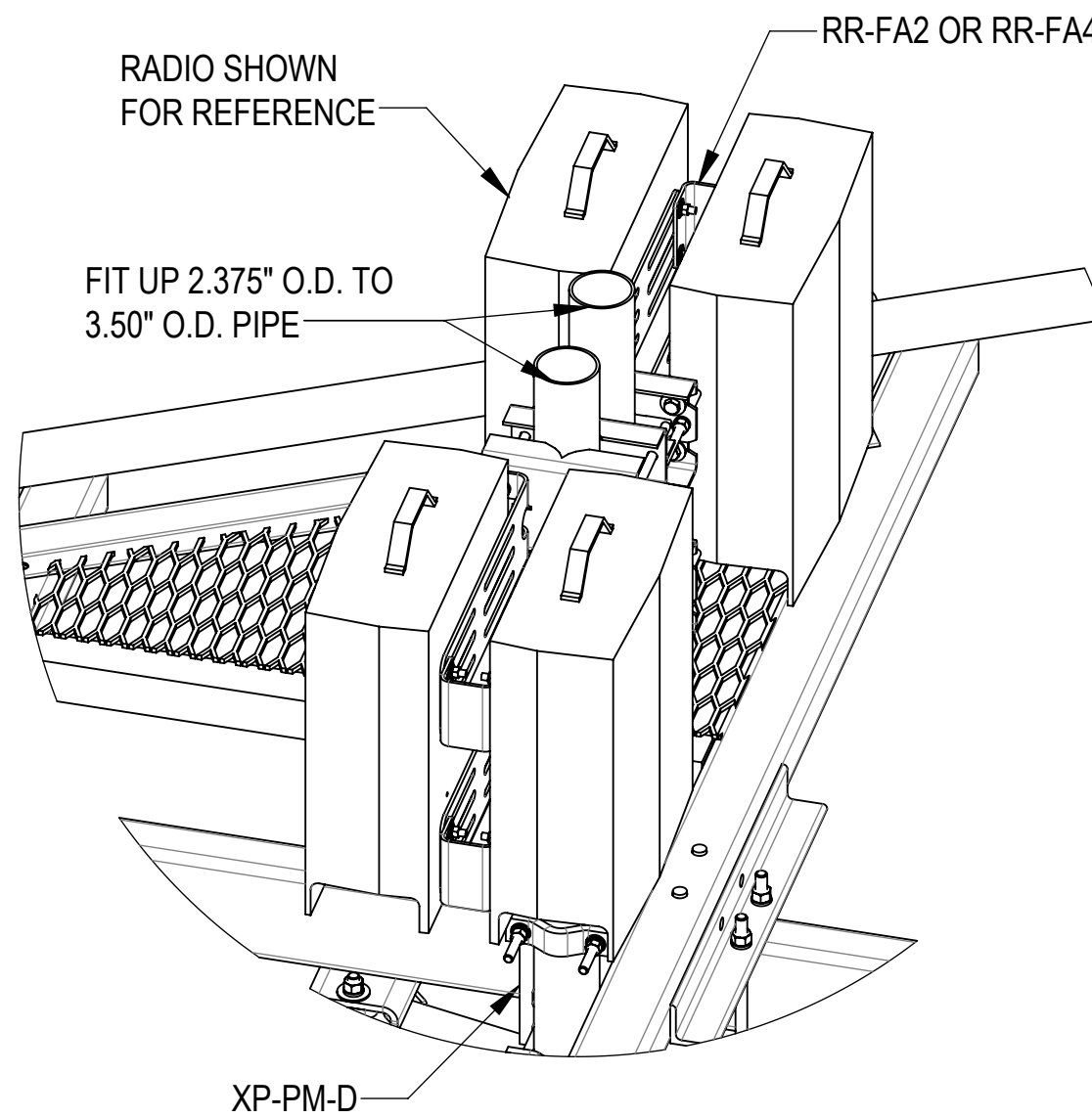
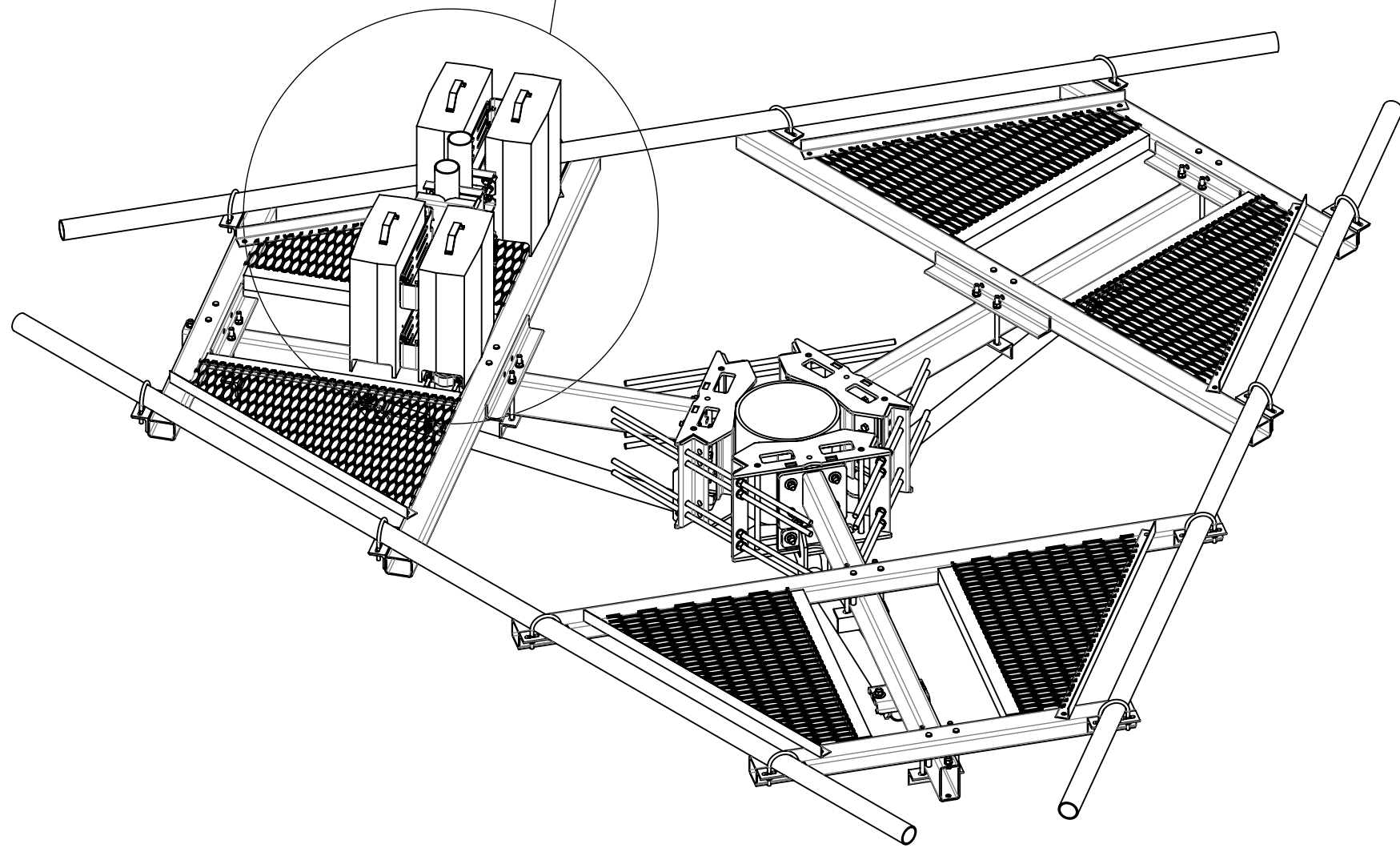
OPTIONAL ACCESSORIES

(ALL THE ACCESSORY ITEMS TO BE PURCHASED SEPARATELY)

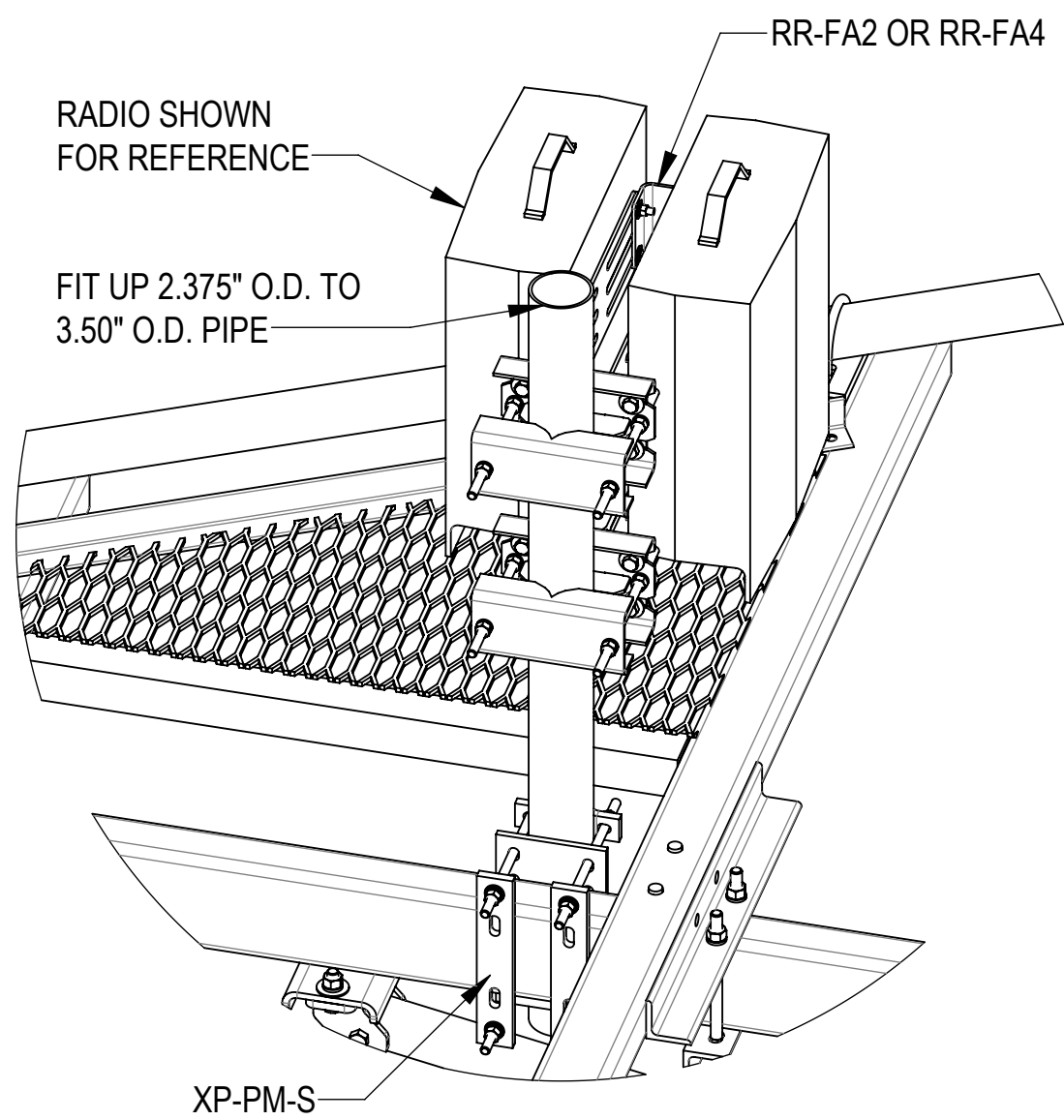
MP RRU SUPPORT KIT:

- XP-PM-D
- XP-PM-S
- RR-FA2 OR RR-FA4

XP-PM-D MOUNTED VIEW



(HIDE ONE SIDE OF THE RRU FOR CLARITY)
 DETAIL XP-PM-D MOUNTED VIEW
 SCALE 1 : 10



DETAIL XP-PM-S MOUNTED VIEW
 SCALE 1 : 10

12.0 [304.8] MIN

12.0 [304.8] MIN

RADIOS ROTATED 90 DEGREES

COMMSCOPE, INC. OF NORTH CAROLINA
 TITLE
 MP,15',3S,BASE-KIT,W/HR,15-45"-POLE

SIZE C	SCALE 1:20	DOCUMENT NO. MP-PP15M-B		
DRAWING		VERSION	STATUS	REVISION
SHEET		00	RE	C
				SHEET 10 OF 10

4

3

2

1