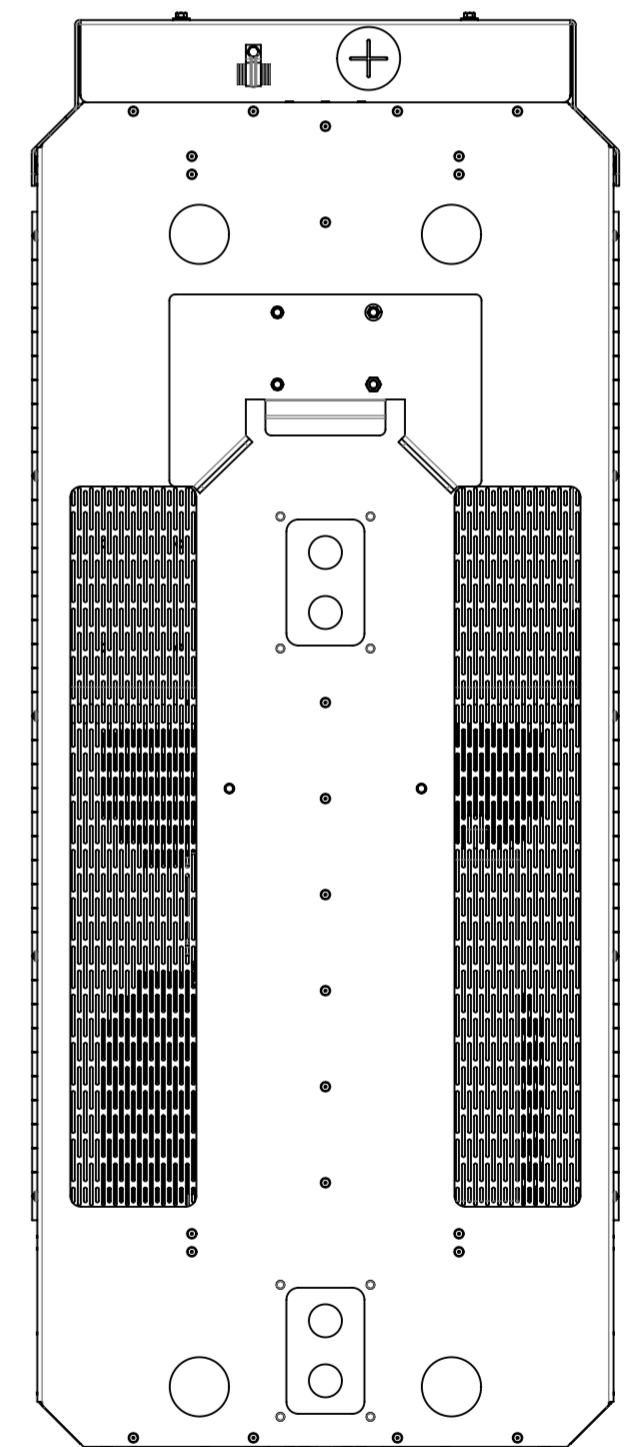
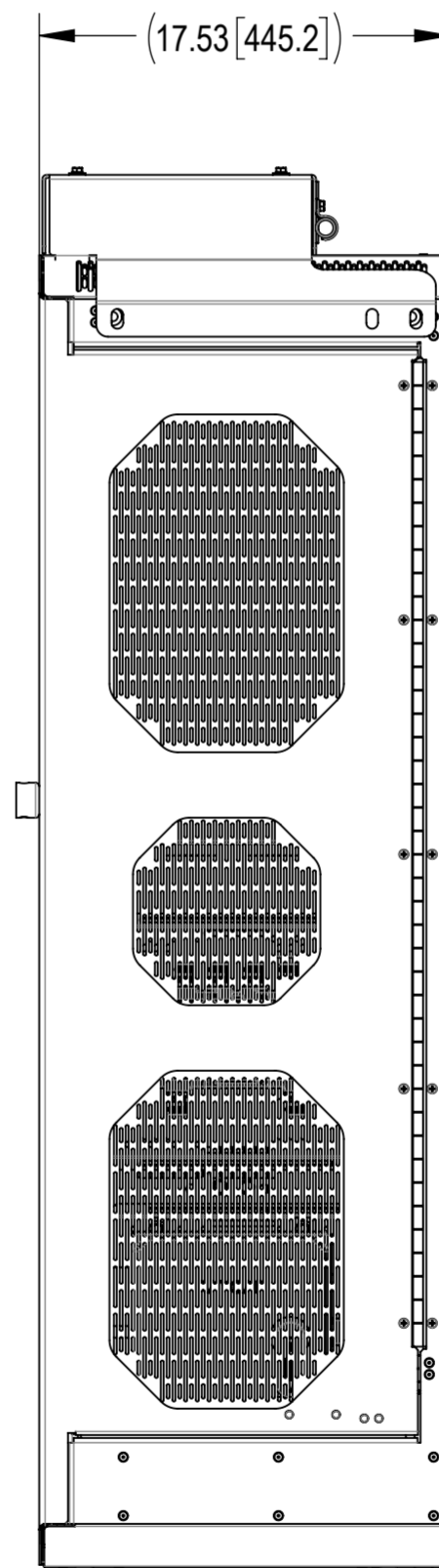
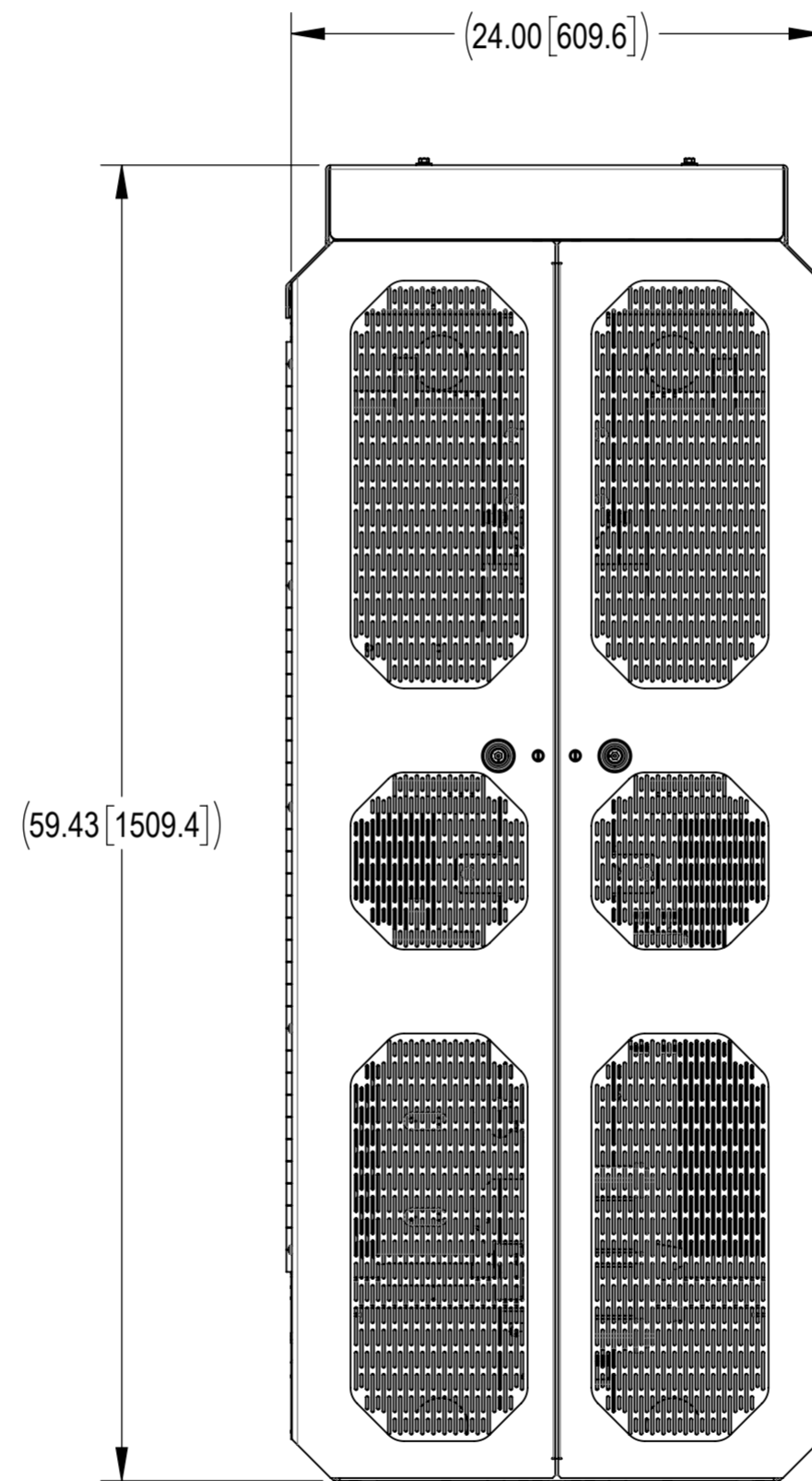
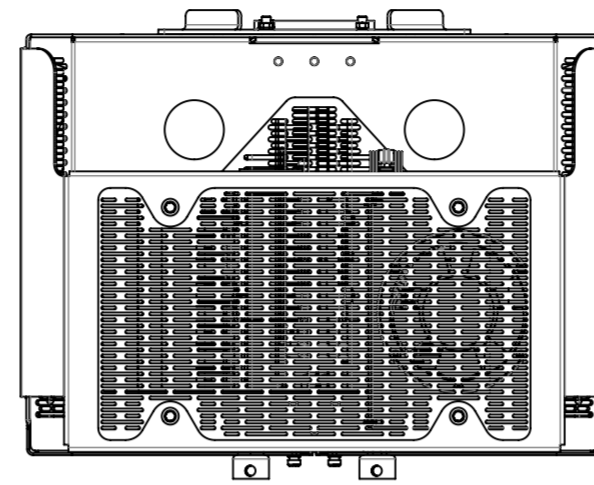
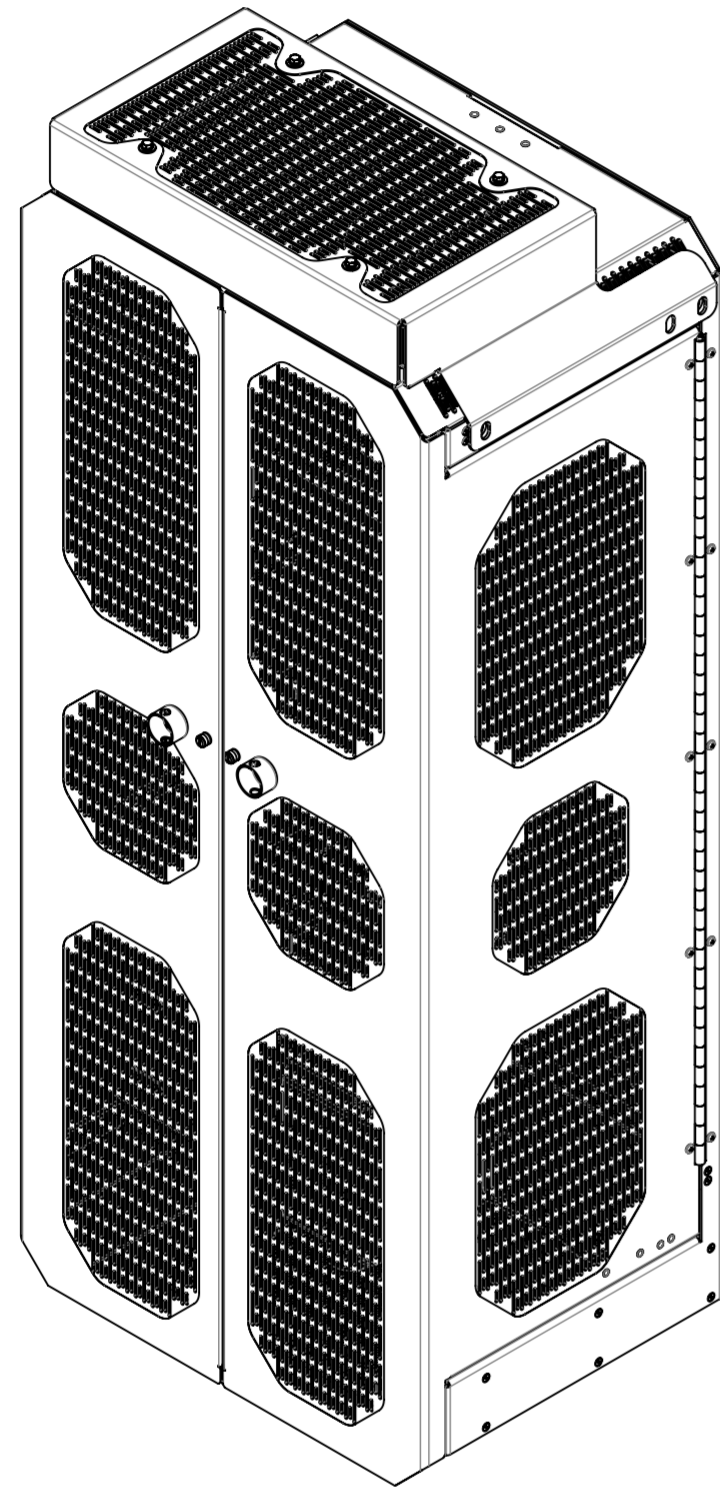


860665492-AMK-006-INSTALL INSTALLATION INSTRUCTION

DBHP RADIO ENCLOSURE - ERICSSON VERSION



REVISIONS			
REV.	DESCRIPTION	DATE	APPROVED
A	INITIAL RELEASE	NSUN 26DEC23	TN1010 40184153CMO
B	UPDATED VIEWS FOR MTM1137-3114 & RU 4490 CHANGES	MS1288 17MAY24	TN1010 40195667CMO
C	ADDED FAN KITS FOR RADIO TABLE ON SHEET 2; ADDED NOTE 3.4 AND ADDED FAN KITS INSTALLATION ON SHEET 13	NSUN 11JUL24	JX1002 40199231CMO

This table show the evolution and history of document from initial to current version.

Further information regarding CommScope's commitment can be found at www.commscope.com/About-Us/Corporate-Responsibility-and-Sustainability.
Visit our website or contact your local CommScope representative for more information.
This product is covered by one or more U.S. patents or their foreign equivalents. For patents, see www.commscope.com/ProductPatent/ProductPatent.aspx

Installation Instructions



- 1.0 GENERAL NOTES
 - 1.1 ALL METRIC DIMENSIONS ARE IN BRACKETS [X.X]
- 2.0 DESIGN NOTES
- 3.0 MANUFACTURING/SPECIAL REQUIREMENTS
 - 3.1 TIGHTEN HARDWARES, TORQUE VALUE ARE SHOWN BELOW AS REFERENCE,
 - M5: TORQUE 23.0 IN-LB OR 2.6 N-M
 - M6: TORQUE 40.0 IN-LB OR 4.5 N-M (W/ CLIP NUT)
 - M6: TORQUE 46.0 IN-LB OR 5.2 N-M (W/ THREADED CAST AL)
 - M6: TORQUE 75.0 IN-LB OR 8.5 N-M (W/ STEEL NUT)
 - M8: TORQUE 6.6 FT-LB OR 9.0 N-M (W/ THREADED CAST AL)
 - 3.2 CONFIGURATIONS AND QUANTITY OF EQUIPMENTS IN INSTALLATION ARE LISTED ON TABLE.
 - 3.3 EQUIPMENT INSTALLATION INSTRUCTION ON PAGE 2.
 - 3.4 "X" IS A VARIABLE FOR COLOR, KIT SHOULD BE COLOR MATCHED TO ENCLOSURE DEPLOYED ON SITE.

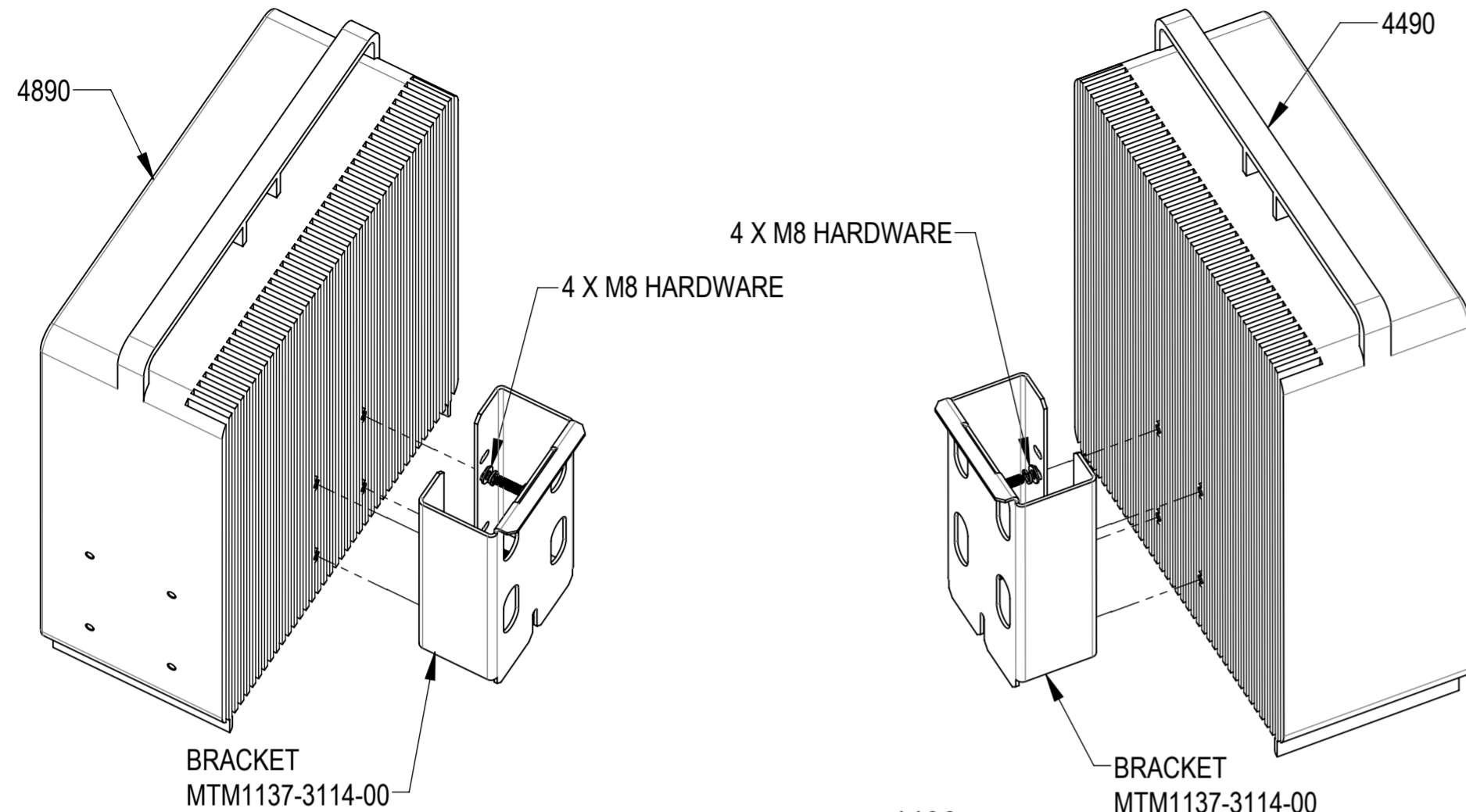
ERICSSON CONFIGURATION	3.2 APPROVED ERICSSON RADIO CONFIGURATIONS								REQUIRED ADDITIONAL AMK FOR CONFIGURATION (PURCHASED SEPARATELY)
	4490	4890	AC08	6308	6304	6302	DIPLEXER	RAYCAP	3.4 860661736-MV2-C03X
1	1	1	2				1	1	
2	1	1		1			1	1	1
3	1	1			1		1	1	
4	1	1				1	1	1	
5	1	1	2					1	
6	1	1		1				1	1
7	1	1			1			1	
8	1	1				1		1	

NOTICE
 PAGE 3: CONFIGURATION 1 TO 8 SHOW THE INSTALLATION OF MTM1137-1000-XX INSIDE OF ENCLOSURE.
 PAGE 4 TO 7: CONFIGURATION 1 TO 8 SHOW THE LAYOUT OF ALL RADIOS.

Installation Instructions

COMMSCOPE®

ERICSSON EQUIPMENT MOUNTING INSTALLATION

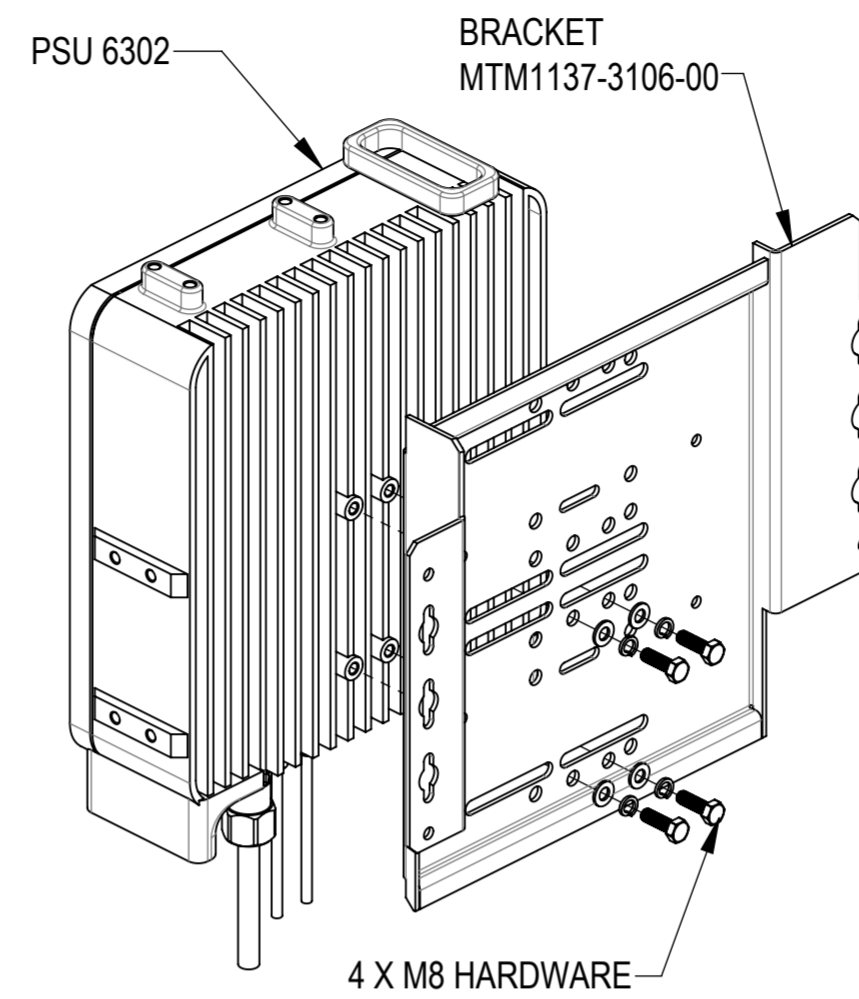


4890:

INSTALL 4890 TO THE BRACKET MTM1137-3114-00 USING 4 SETS OF M8 HEX BOLT, LOCK WASHER AND FLAT WASHER AS SHOWN

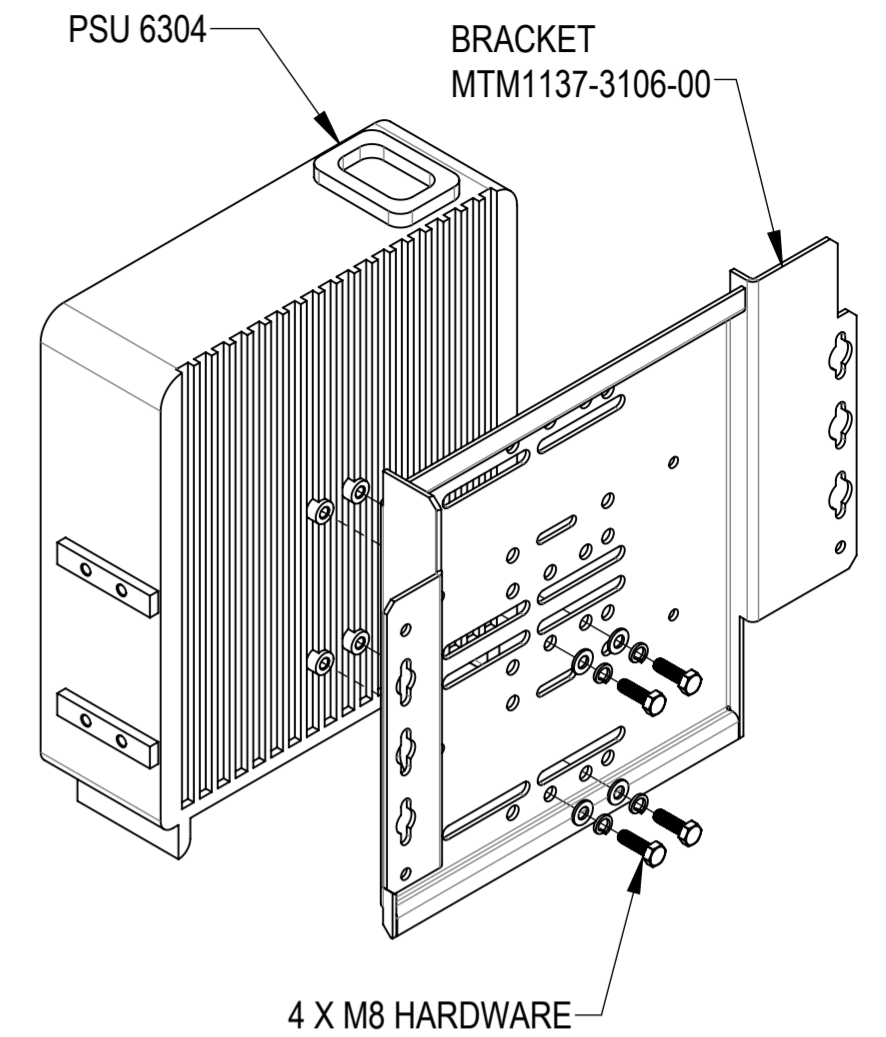
4490:

INSTALL 4490 TO THE BRACKET MTM1137-3114-00 USING 4 SETS OF M8 HEX BOLT, LOCK WASHER AND FLAT WASHER AS SHOWN



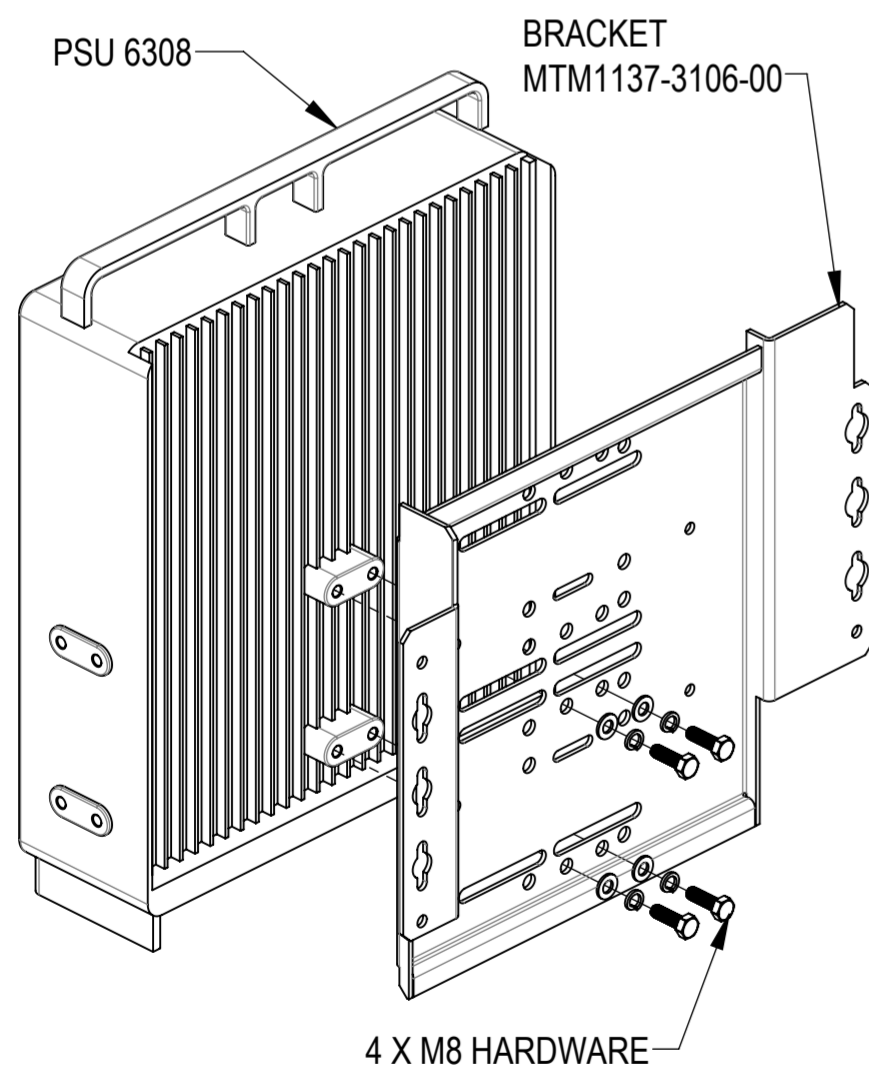
PSU 6302:

INSTALL PSU 6302 TO THE BRACKET MTM1137-3106-00 USING 4 SETS OF M8 HEX BOLT, LOCK WASHER AND FLAT WASHER AS SHOWN



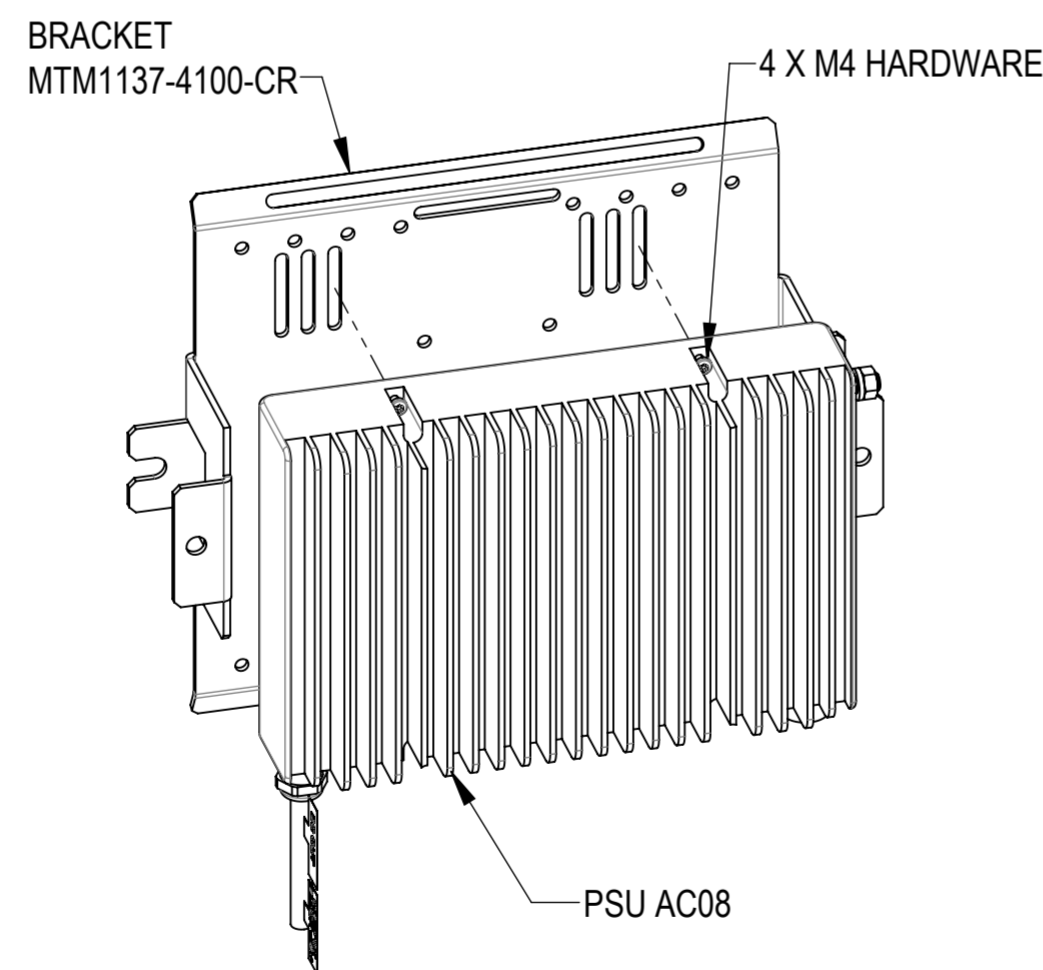
PSU 6304:

INSTALL PSU 6304 TO THE BRACKET MTM1137-3106-00 USING 4 SETS OF M8 HEX BOLT, LOCK WASHER AND FLAT WASHER AS SHOWN



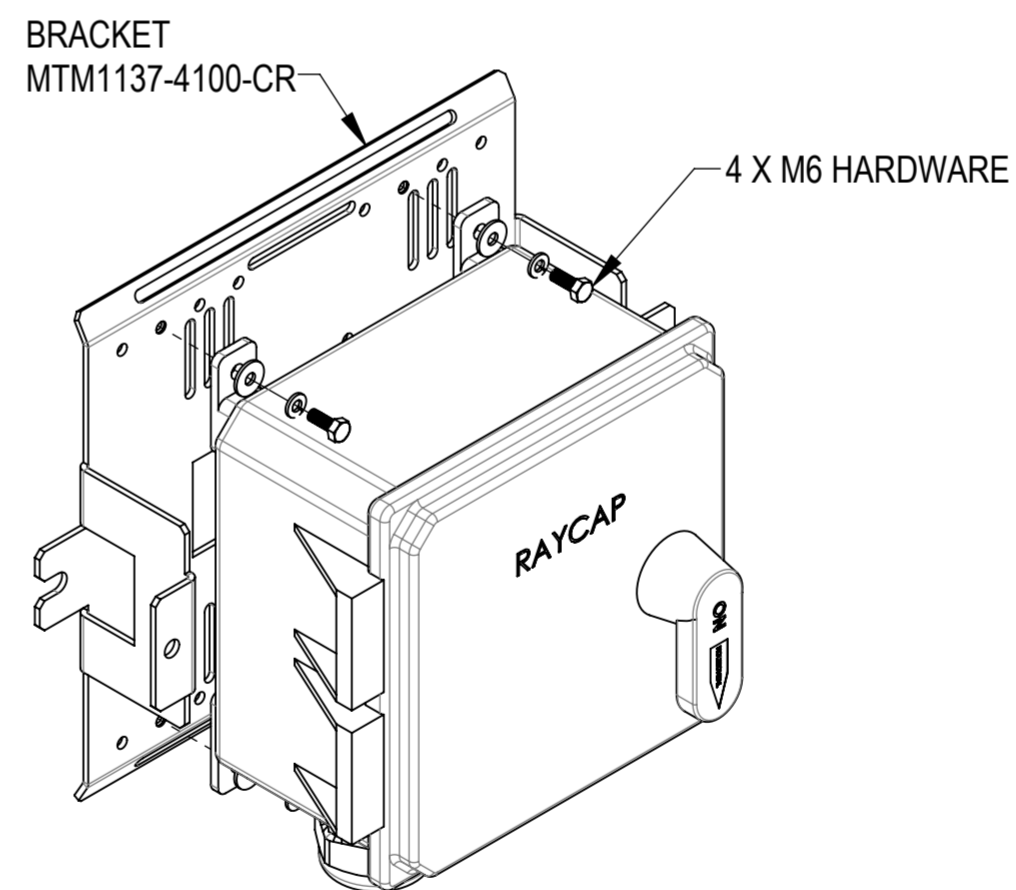
PSU 6308:

INSTALL PSU 6308 TO THE BRACKET MTM1137-3106-00 USING 4 SETS OF M8 HEX BOLT, LOCK WASHER AND FLAT WASHER AS SHOWN



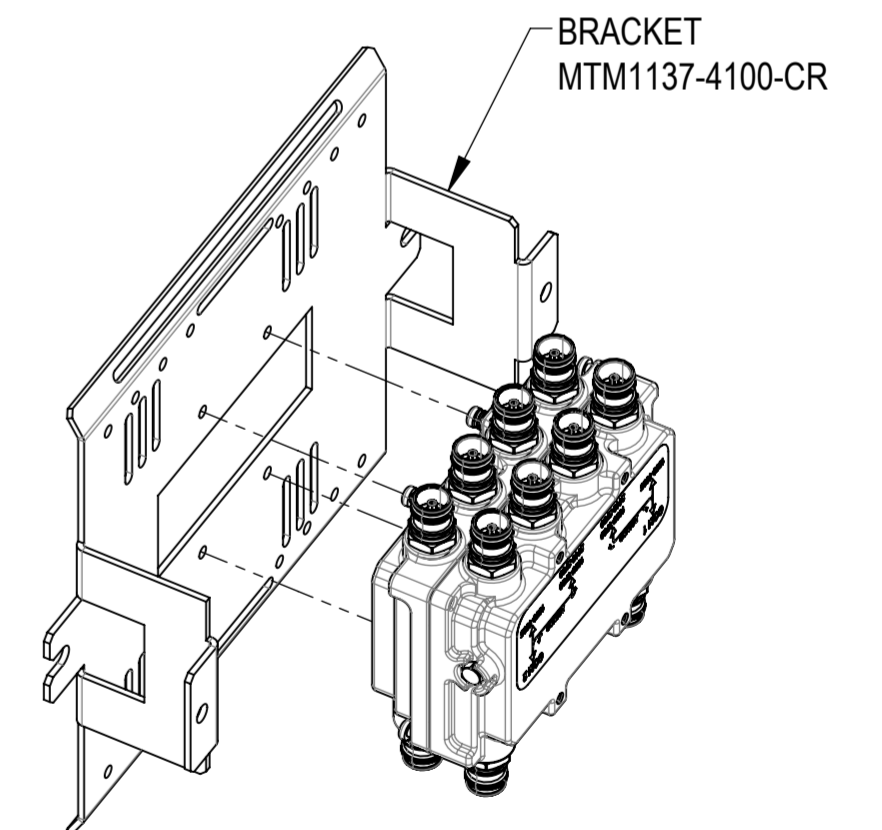
PSU AC08:

INSTALL PSU AC08 TO THE BRACKET MTM1137-4100-CR USING M4 CAPTIVE HARDWARE PROVIDED WITH THE PSU.



RAYCAP INSTALLATION

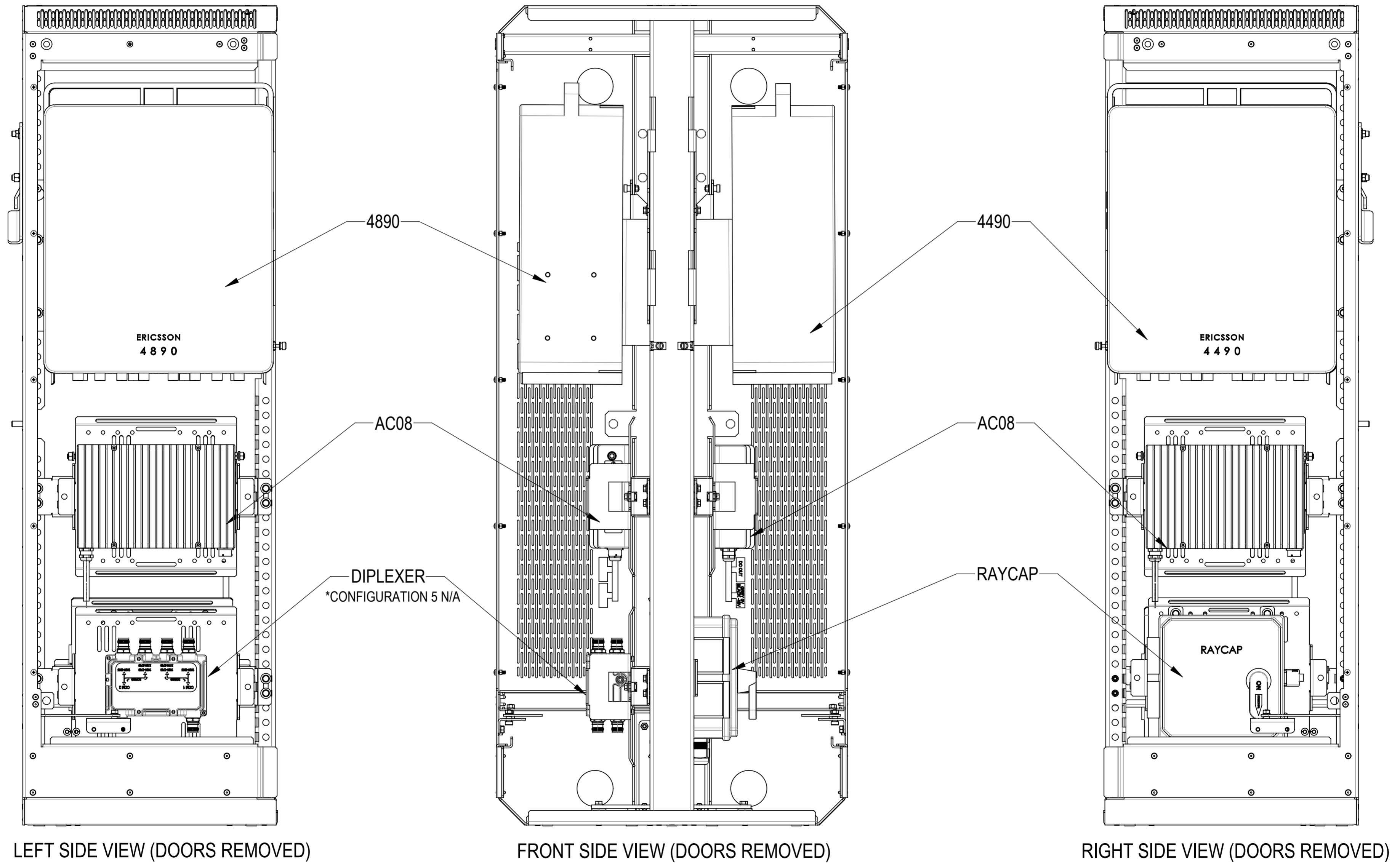
INSTALL RAYCAP TO THE BRACKET MTM1137-4100-CR USING 4 SETS OF M6 HARDWARE



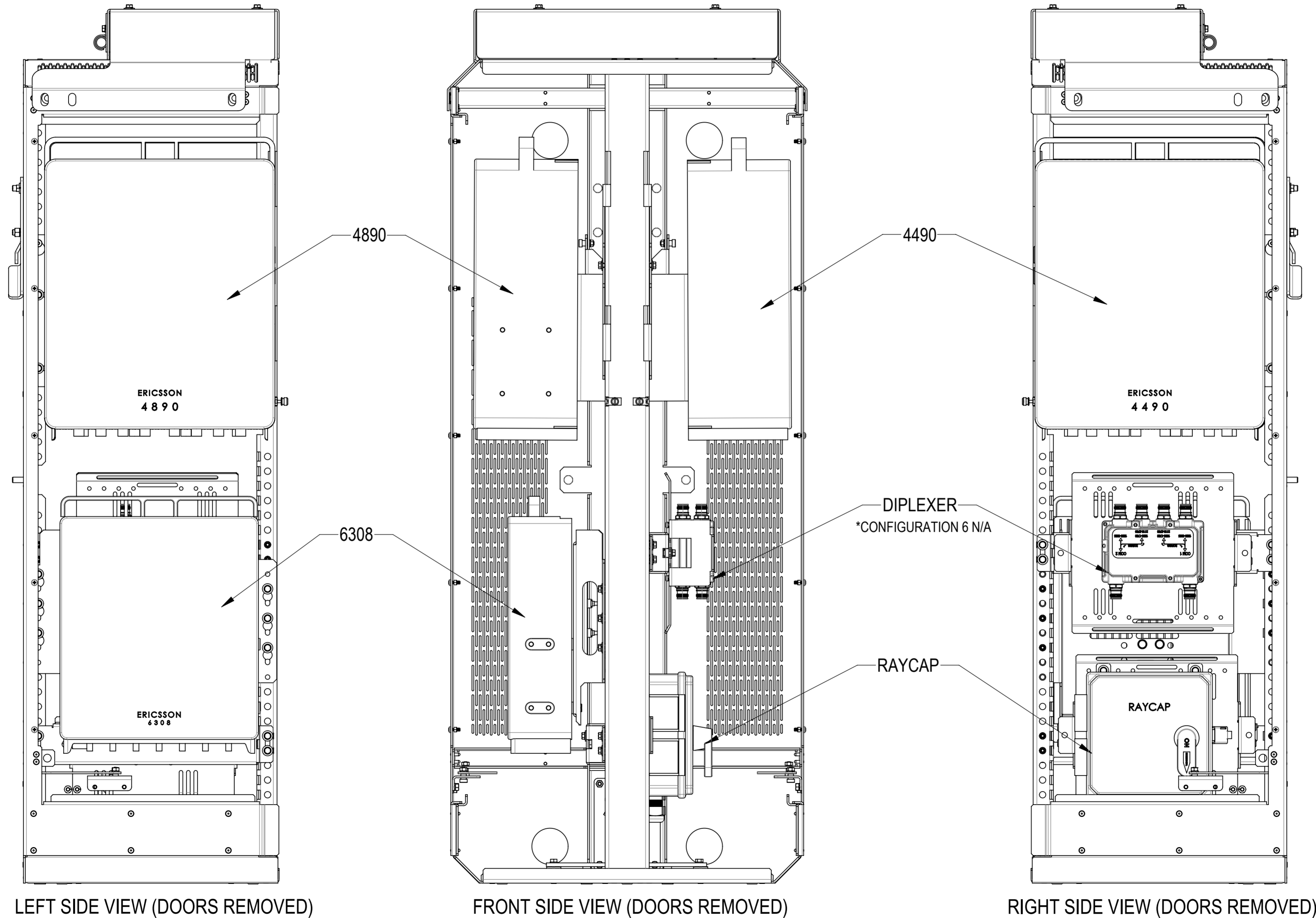
DIPLEXER INSTALLATION

INSTALL THE DIPLEXER TO THE BRACKET MTM1137-4100-CR USING M5 CAPTIVE HARDWARE PROVIDED WITH THE DIPLEXER

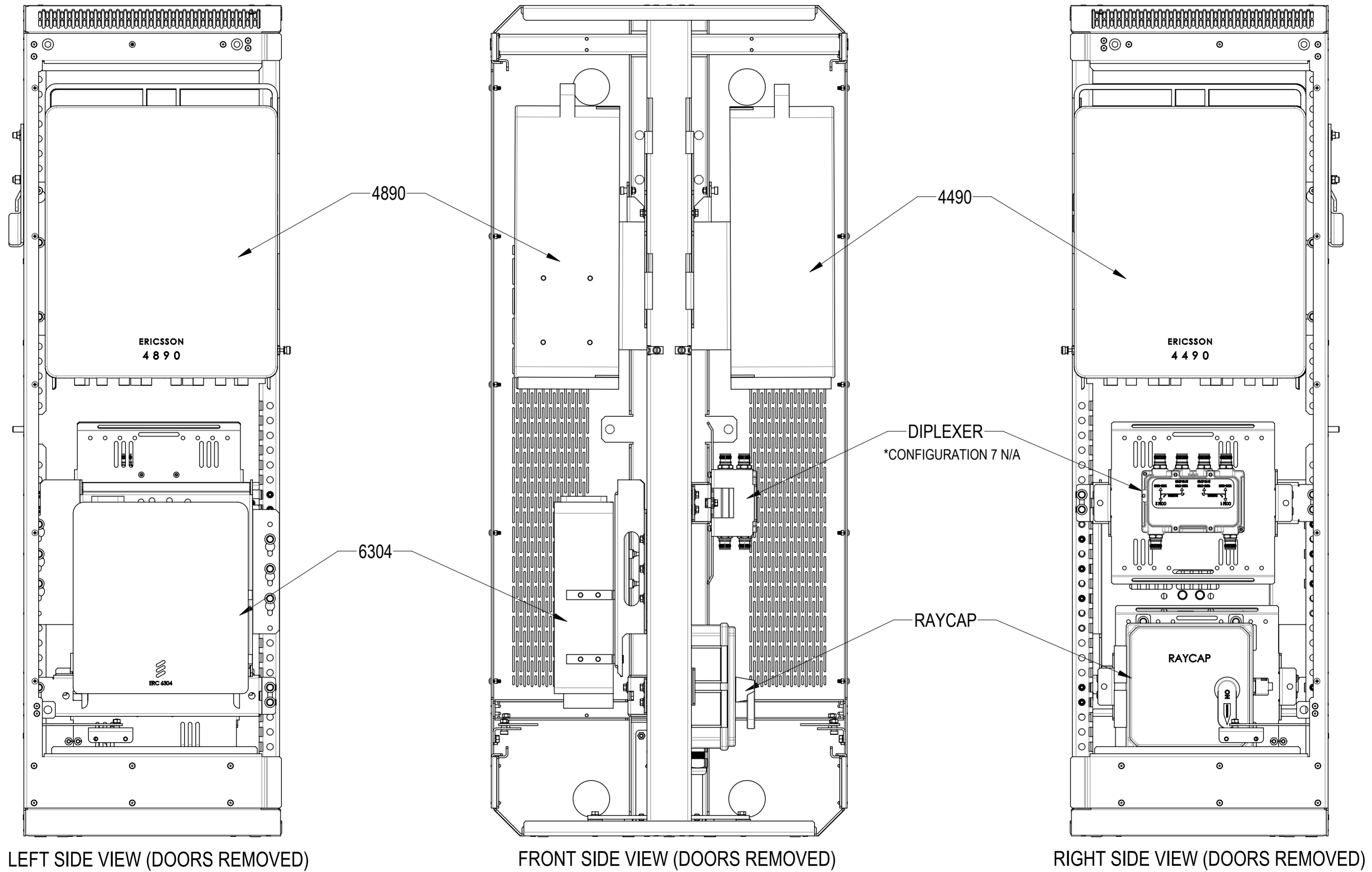
CONFIGURATION 1 - 4890 & 4490, (2X) AC08, DIPLEXER AND RAYCAP
CONFIGURATION 5 - 4890 & 4490, (2X) AC08 AND RAYCAP



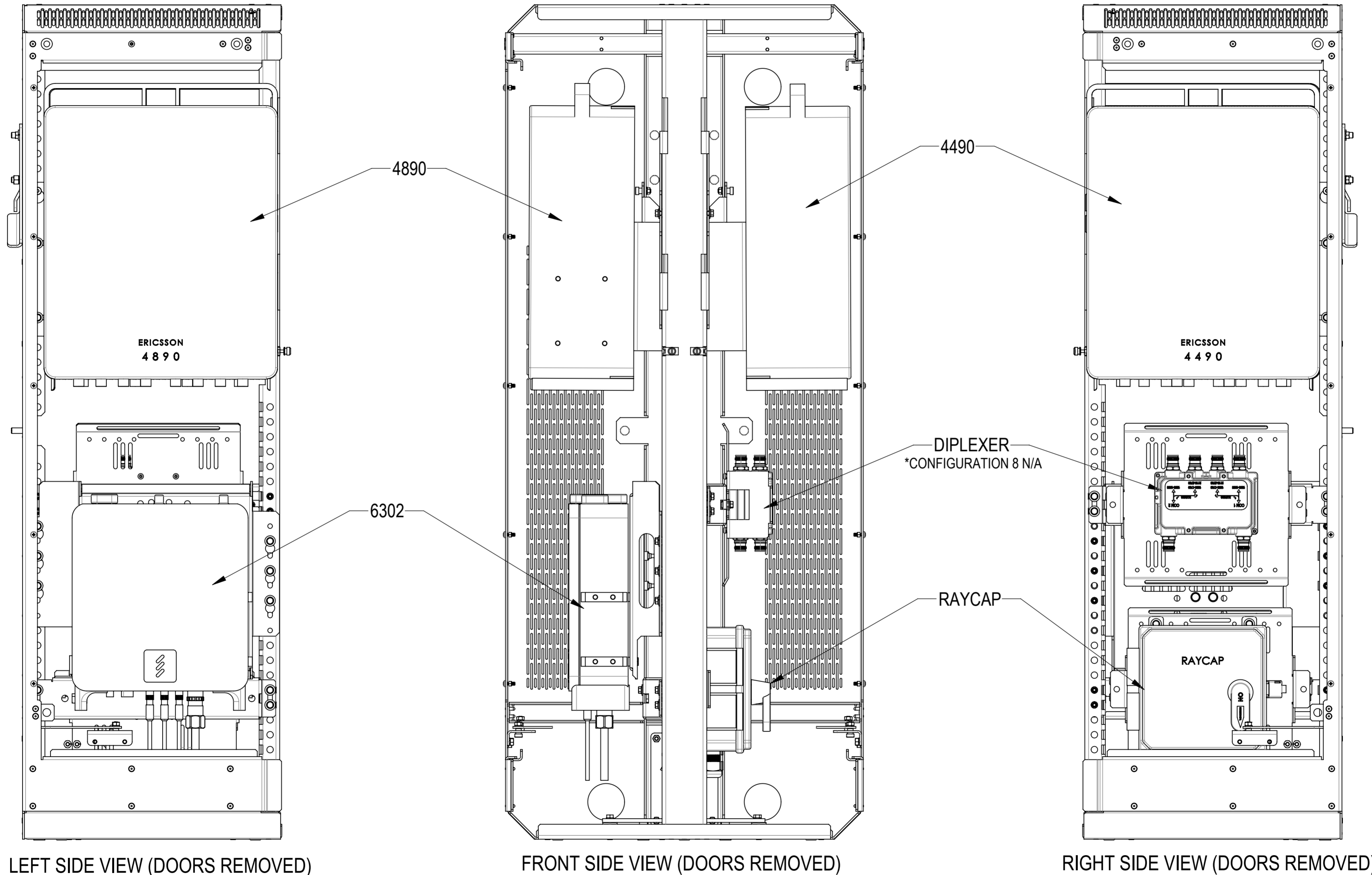
CONFIGURATION 2 - 4890 & 4490 & 6308, DIPLEXER, RAYCAP AND FAN KITS
CONFIGURATION 6 - 4890 & 4490 & 6308, RAYCAP AND FAN KITS



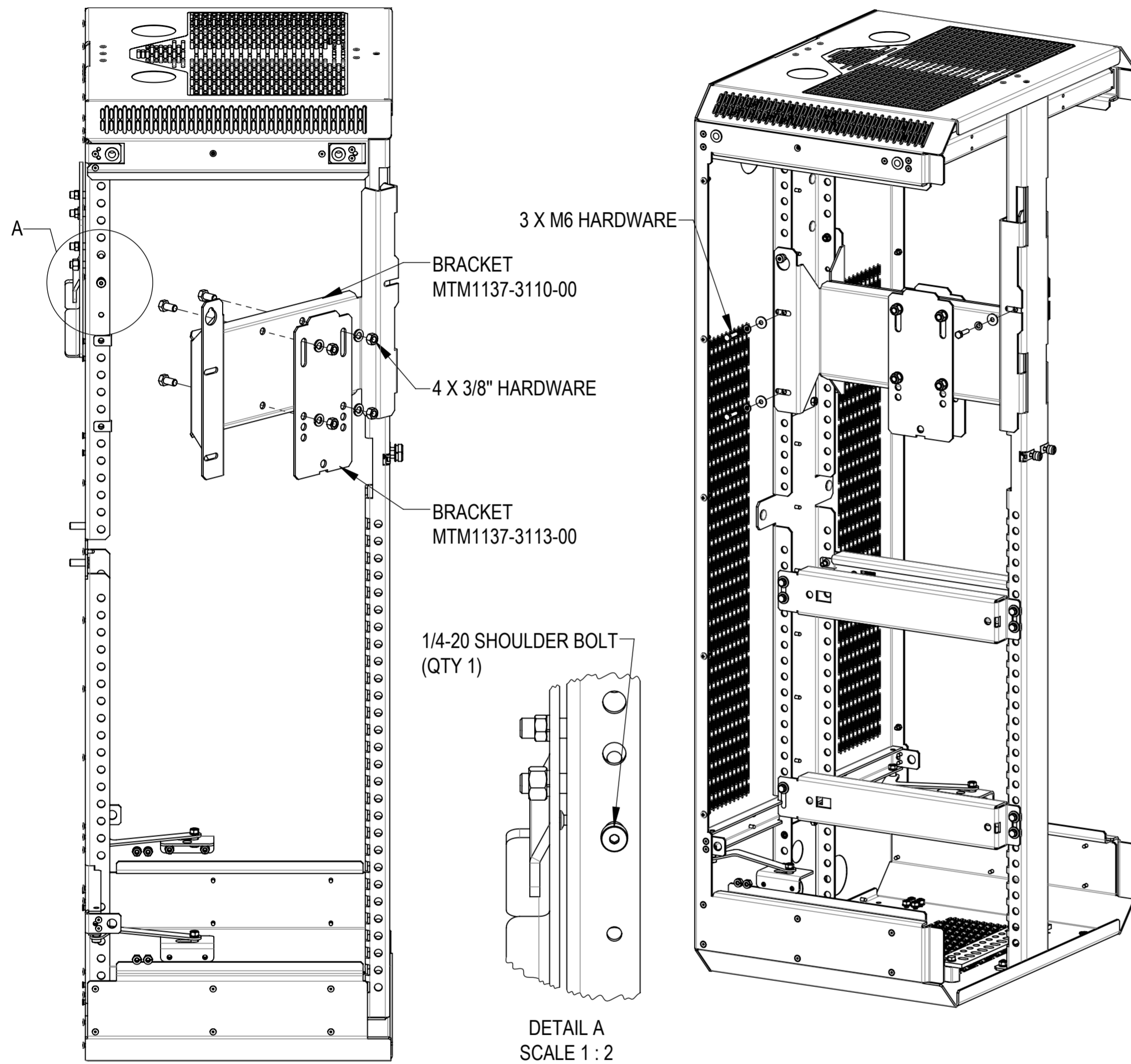
CONFIGURATION 3 - 4890 & 4490 & 6304, DIPLEXER AND RAYCAP CONFIGURATION 7 - 4890 & 4490 & 6304 AND RAYCAP



CONFIGURATION 4 - 4890 & 4490 & 6302, DIPLEXER AND RAYCAP CONFIGURATION 8 - 4890 & 4490 & 6302 AND RAYCAP

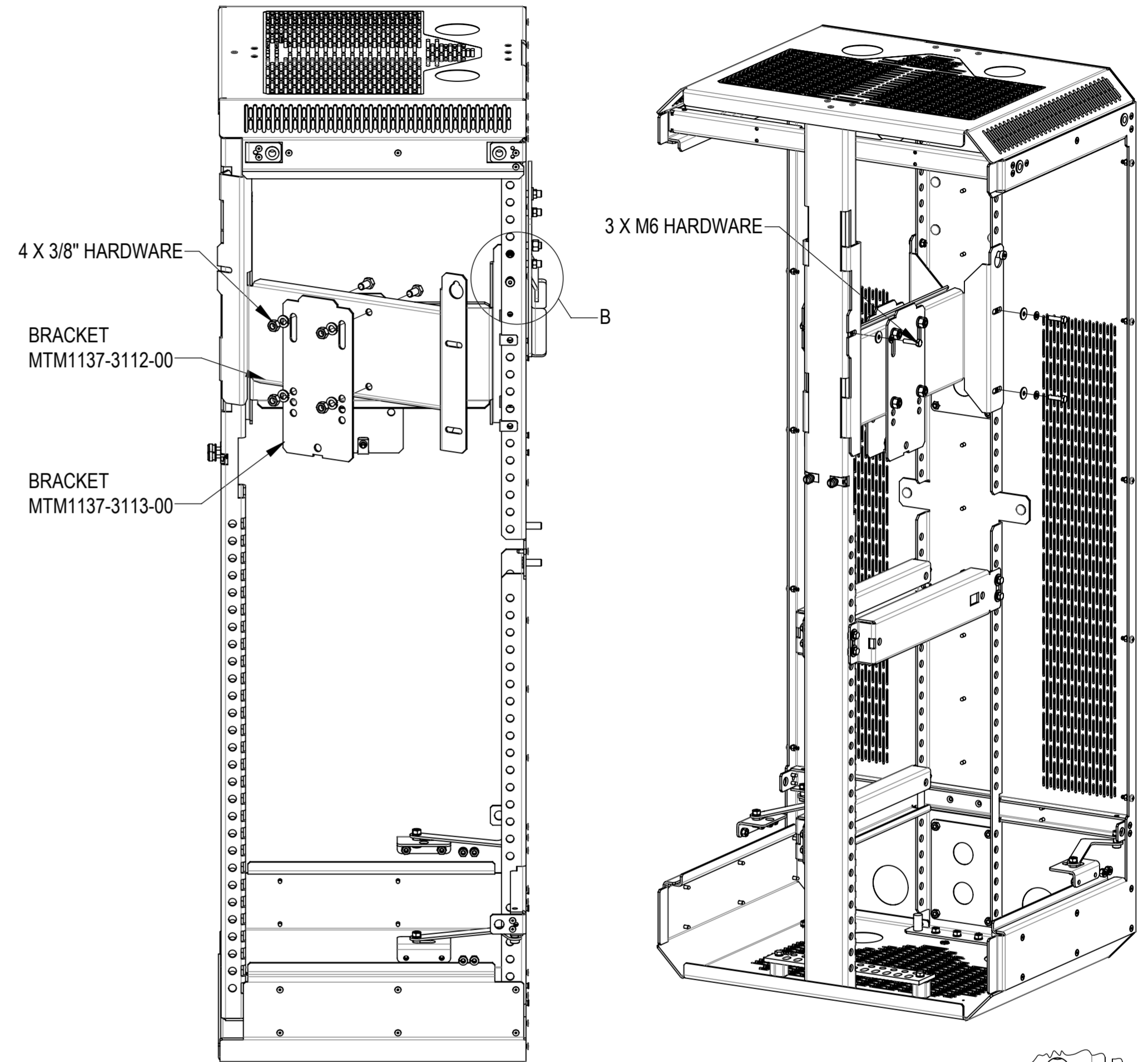


THE COMBO BRACKET INSTALLATION



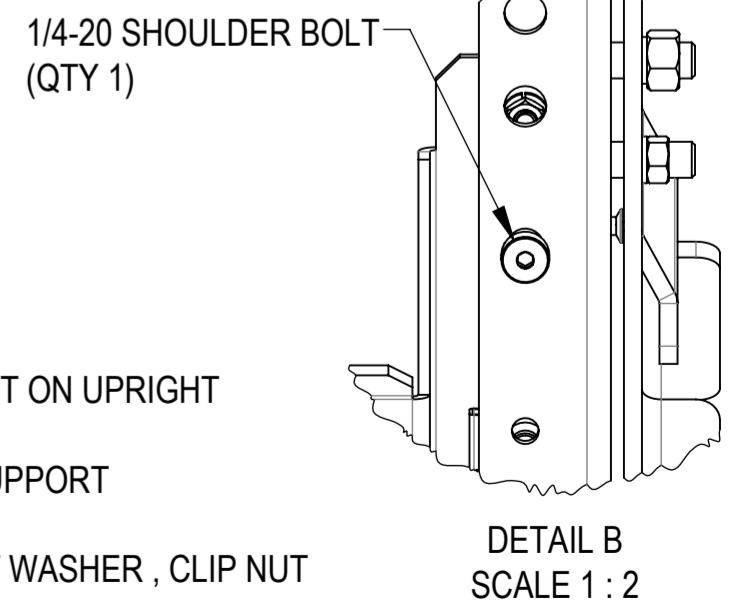
MTM1137-3110-00 & MTM1137-3113-00 (LEFT):

- A) INSTALL SHOULDER BOLT IN TOP LOCATION AS SHOWN (SEE DETAIL A)
- B) INSTALL MTM1137-3113-00 TO THE EQUIPMENT MOUNT BRACKETS MTM1137-3110-00 AND SECURE USING 4 SETS OF 3/8" HEX BOLT, LOCK WASHER AND NUT
- C) HOLD THE COMBO BRACKET BETWEEN 45-90 DEG AND INSERT BOTH TABS INTO SLOT ON UPRIGHT
- D) ROTATE IT INTO PLACE AND LIFT ONTO THE REAR UPRIGHT SHOULDER BOLT FOR SUPPORT
- E) SECURE THE COMBO BRACKET USING 3 SETS OF M6 HEX BOLT, LOCK WASHER, FLAT WASHER, CLIP NUT

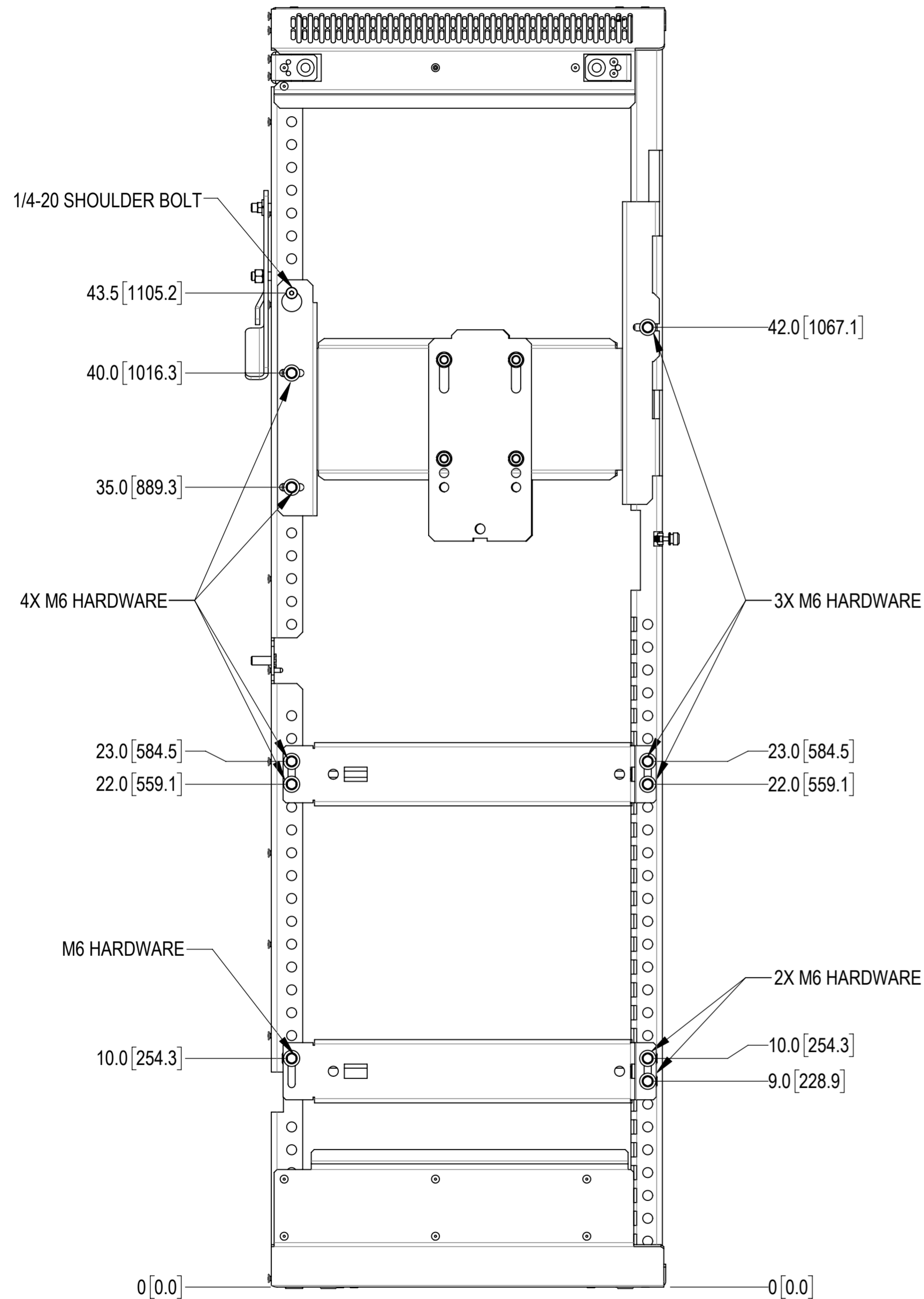


MTM1137-3112-00 & MTM1137-3113-00 (RIGHT):

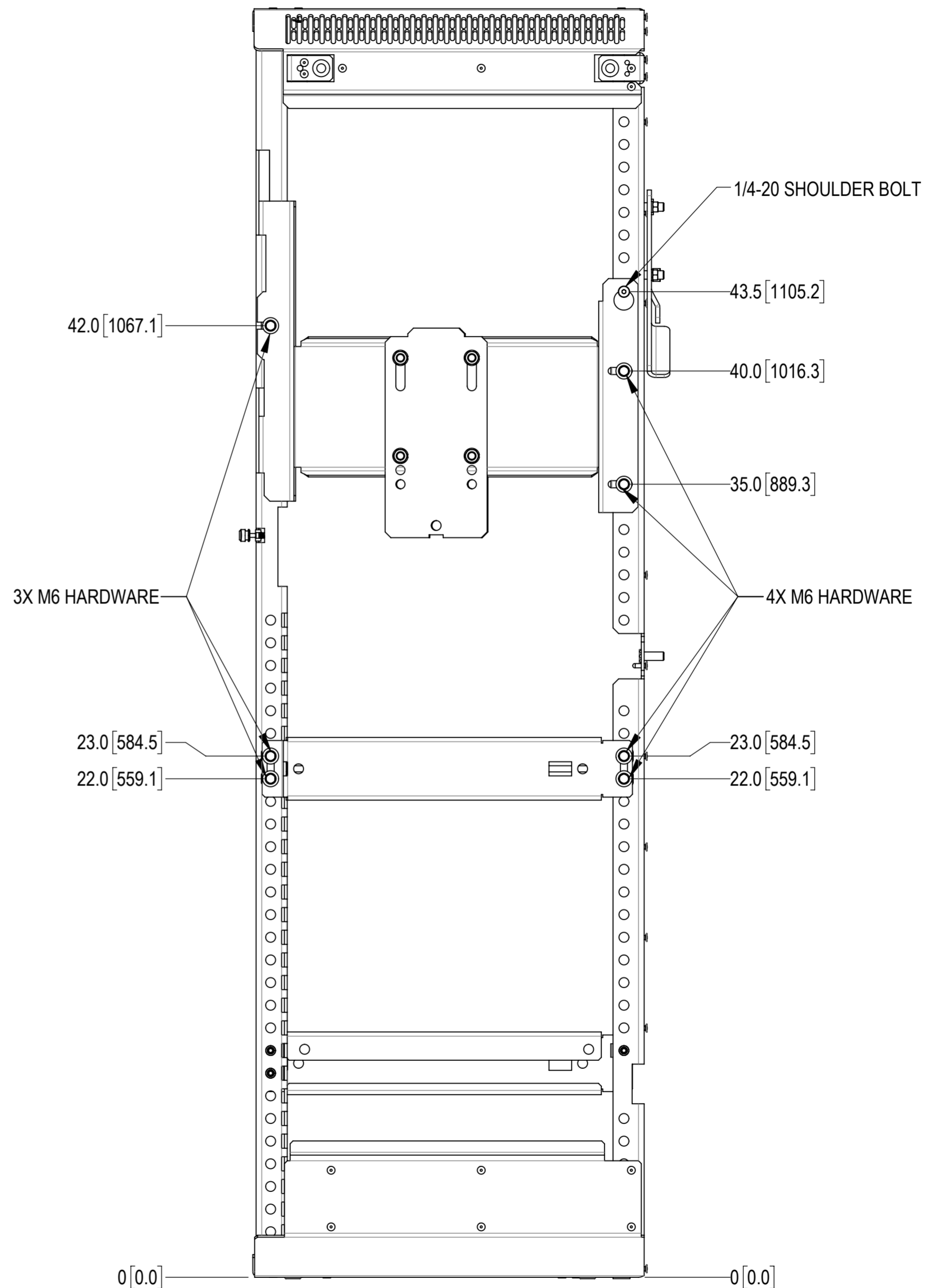
- A) INSTALL SHOULDER BOLT IN TOP LOCATION AS SHOWN (SEE DETAIL B)
- B) INSTALL MTM1137-3113-00 TO THE EQUIPMENT MOUNT BRACKETS MTM1137-3112-00 AND SECURE USING 4 SETS OF 3/8" HEX BOLT, LOCK WASHER AND NUT
- C) HOLD THE COMBO BRACKET BETWEEN 45-90 DEG AND INSERT BOTH TABS INTO SLOT ON UPRIGHT
- D) ROTATE IT INTO PLACE AND LIFT ONTO THE REAR UPRIGHT SHOULDER BOLT FOR SUPPORT
- E) SECURE THE COMBO BRACKET USING 3 SETS OF M6 HEX BOLT, LOCK WASHER, FLAT WASHER, CLIP NUT



HARDWARE INSTALLATION (CONFIGURATION 1 & 5)



LEFT SIDE VIEW
(BRACKET SHOWN FOR REFERENCE)
(EQUIPMENT NOT SHOWN)

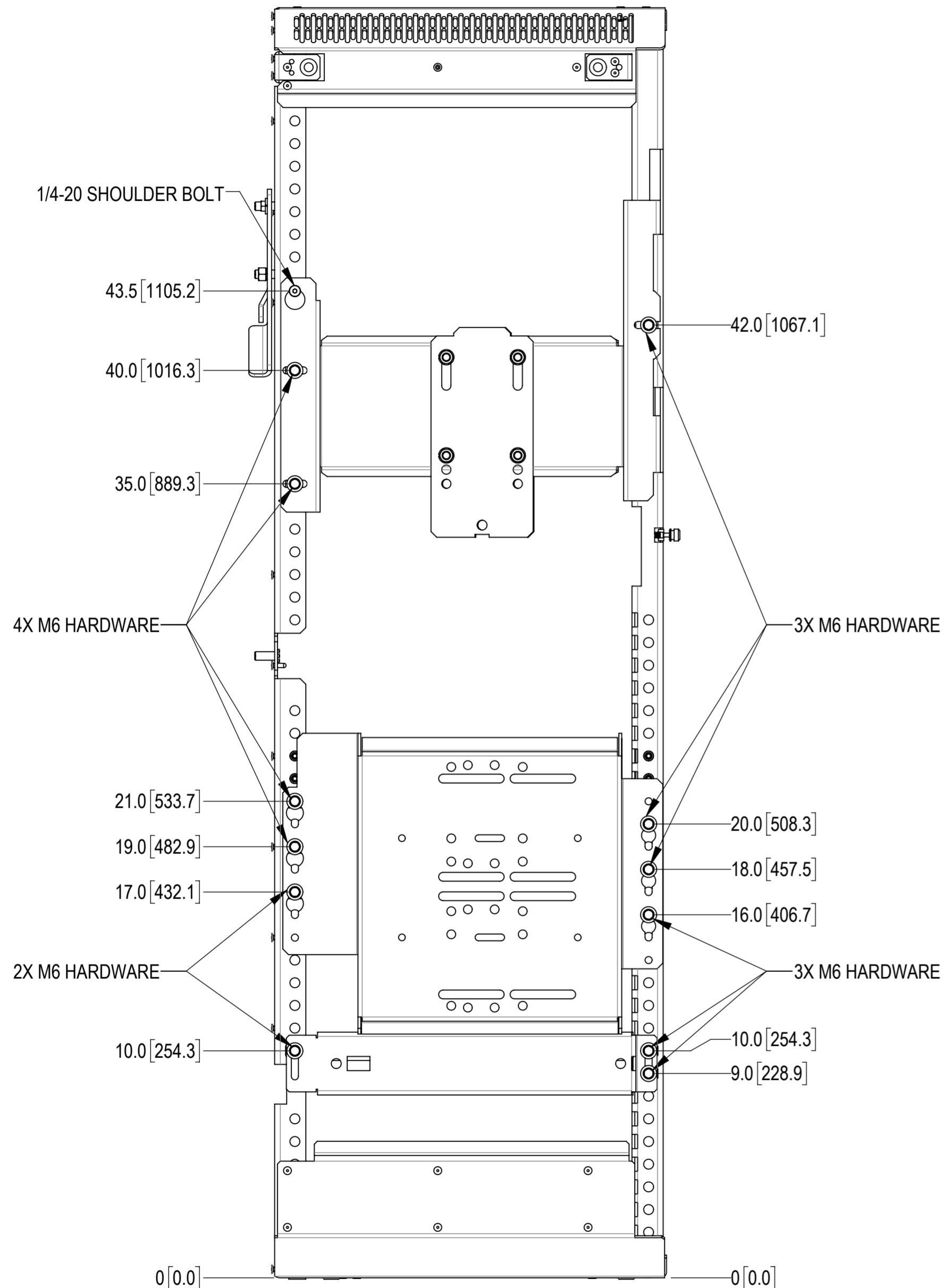


RIGHT SIDE VIEW
(BRACKET SHOWN FOR REFERENCE)
(EQUIPMENT NOT SHOWN)

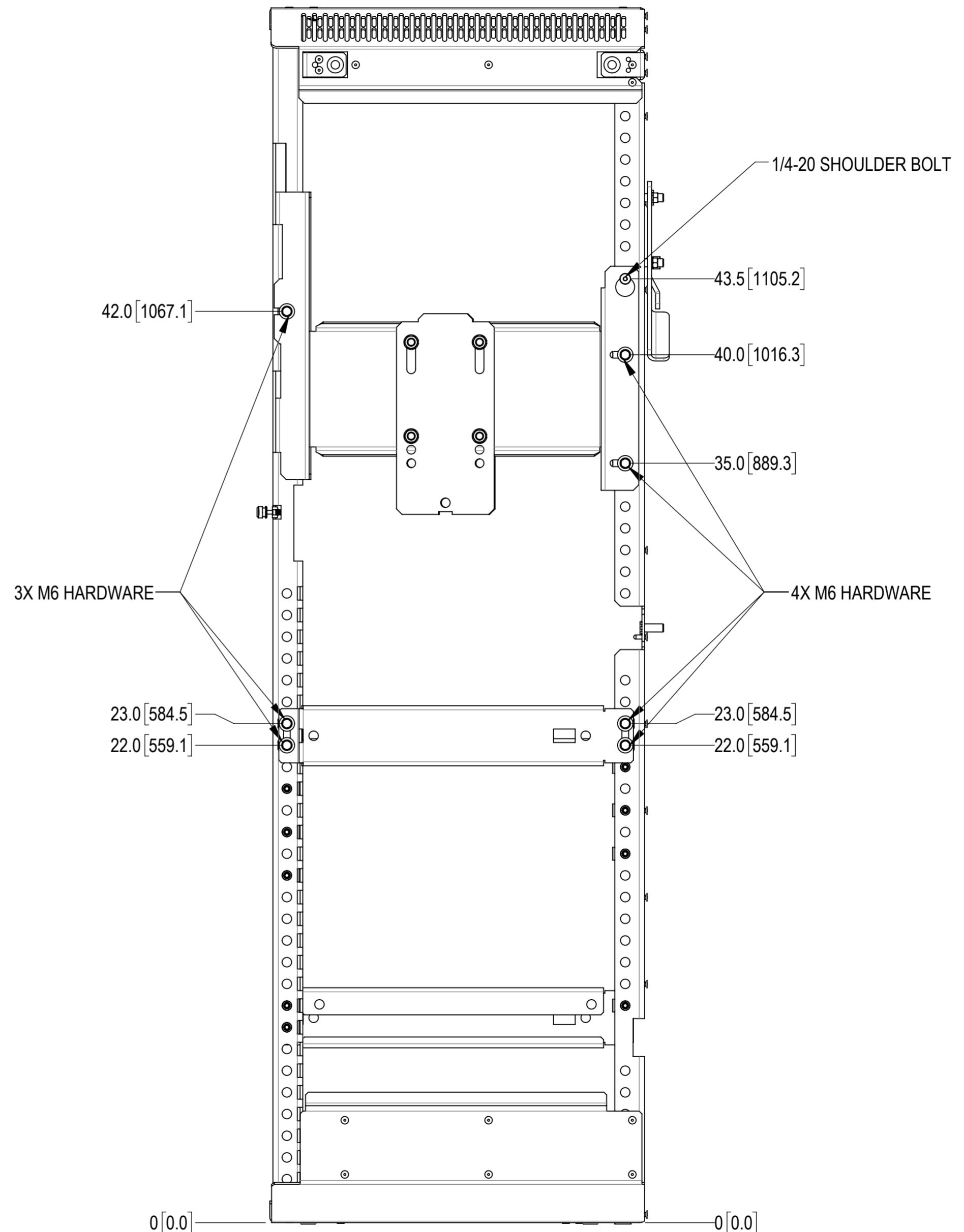
Installation Instructions

COMMScope®

HARDWARE INSTALLATION (CONFIGURATION 2, 3, 4, 6, 7, 8)

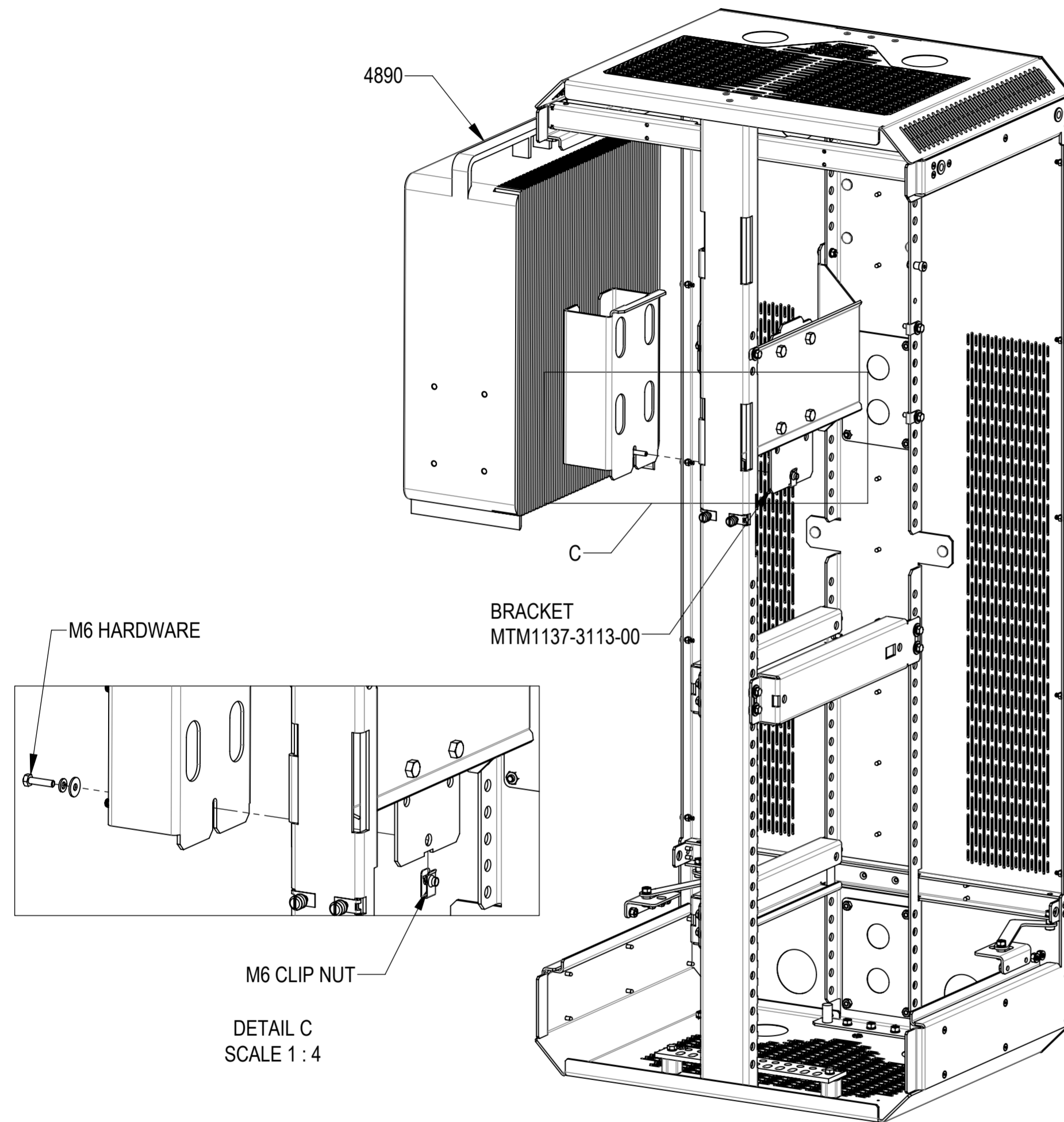


LEFT SIDE VIEW
(BRACKET SHOWN FOR REFERENCE)
(EQUIPMENT NOT SHOWN)



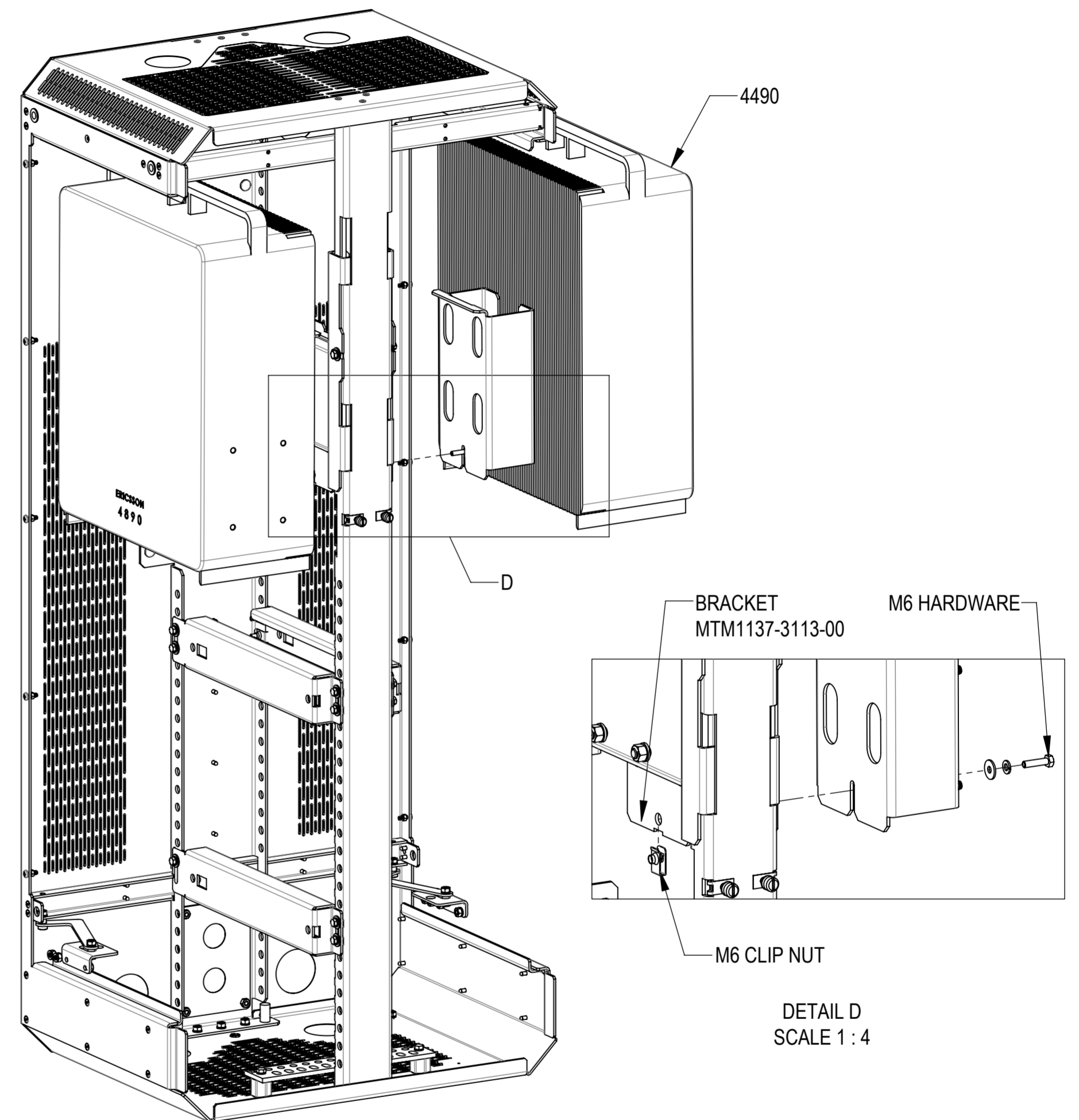
RIGHT SIDE VIEW
(BRACKET SHOWN FOR REFERENCE)
(EQUIPMENT NOT SHOWN)

RRU INSTALLATION



4890 INSTALLATION:

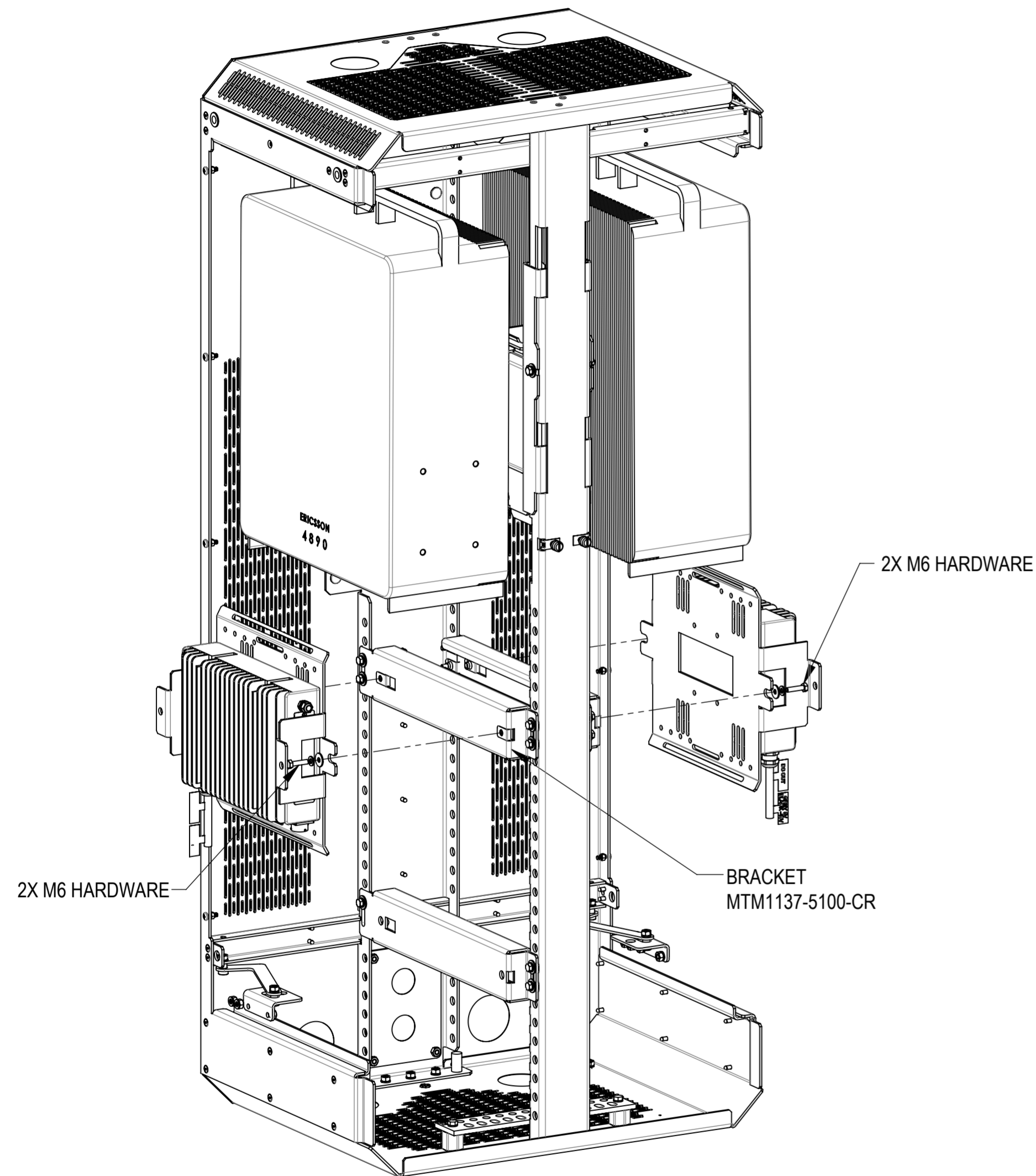
HANG 4890 WITH BRACKET ON MOUNT BRACKETS MTM1137-3113-00
AND SECURE BY 1 SETS OF M6 HEX BOLT, LOCK WASHER, FLAT
WASHER AND CLIP NUT



4490 INSTALLATION:

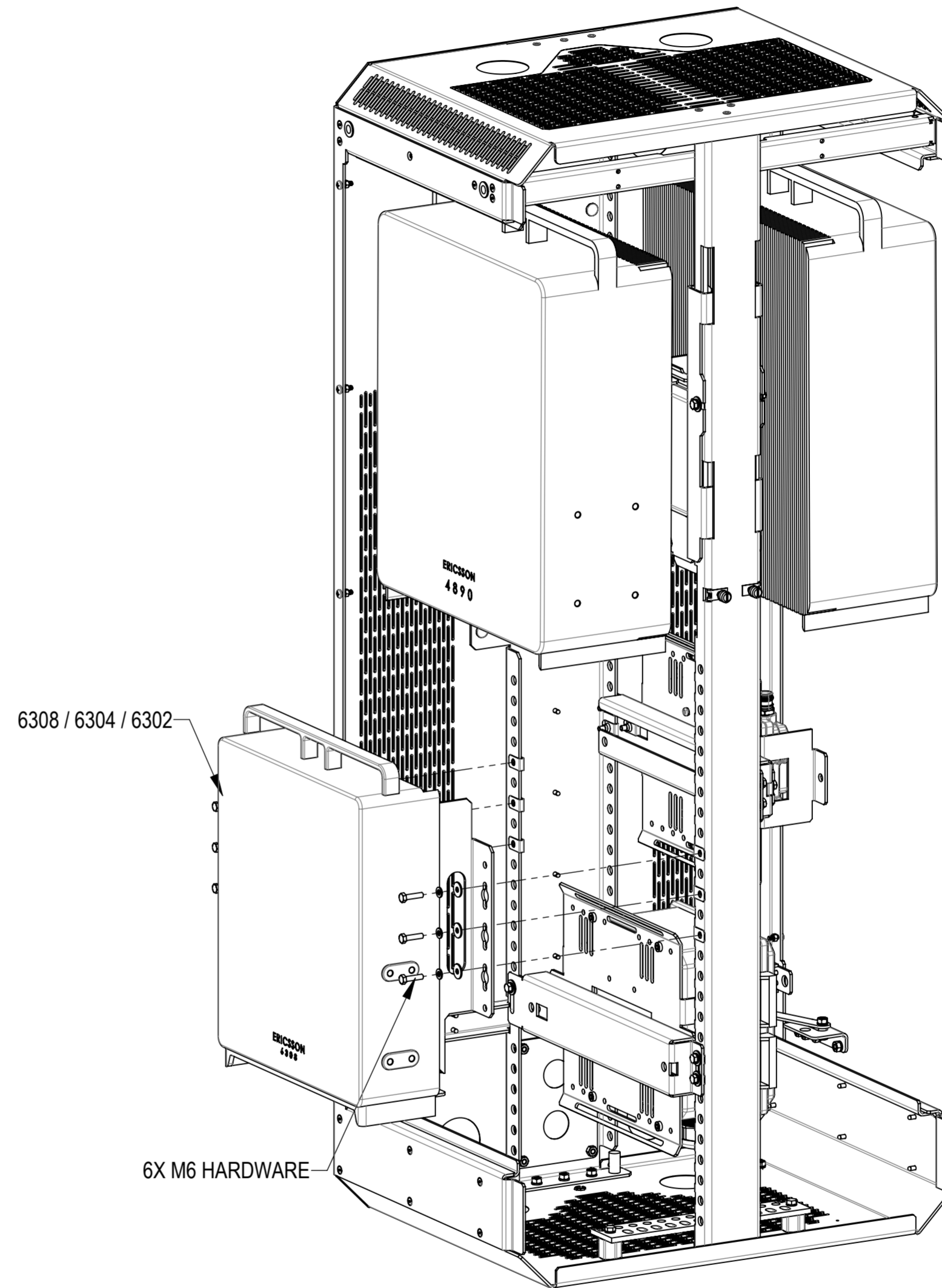
HANG 4490 WITH BRACKET ON MOUNT BRACKETS MTM1137-3113-00
AND SECURE BY 1 SETS OF M6 HEX BOLT, LOCK WASHER, FLAT
WASHER AND CLIP NUT

PSU INSTALLATION



AC08 INSTALLATION:

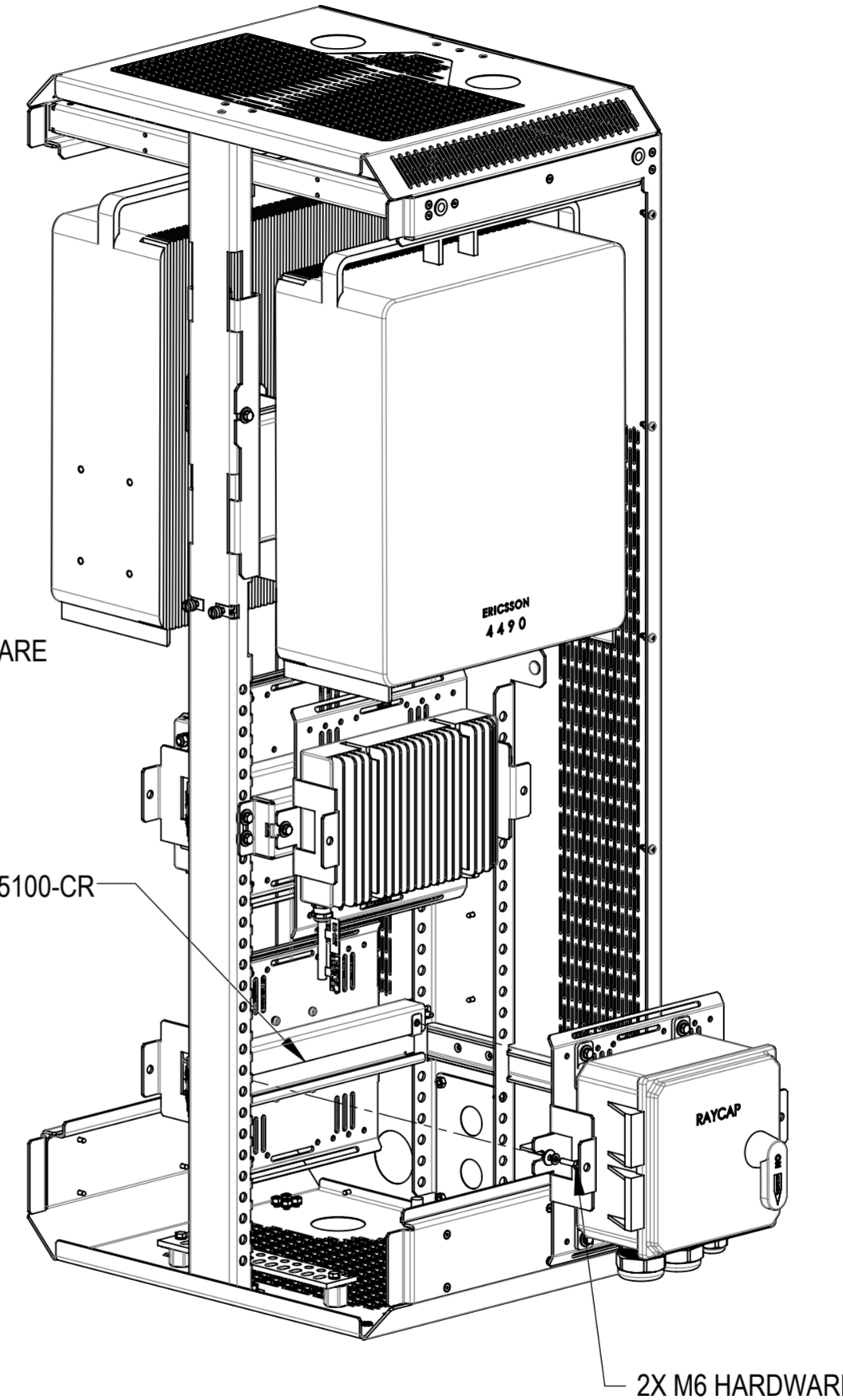
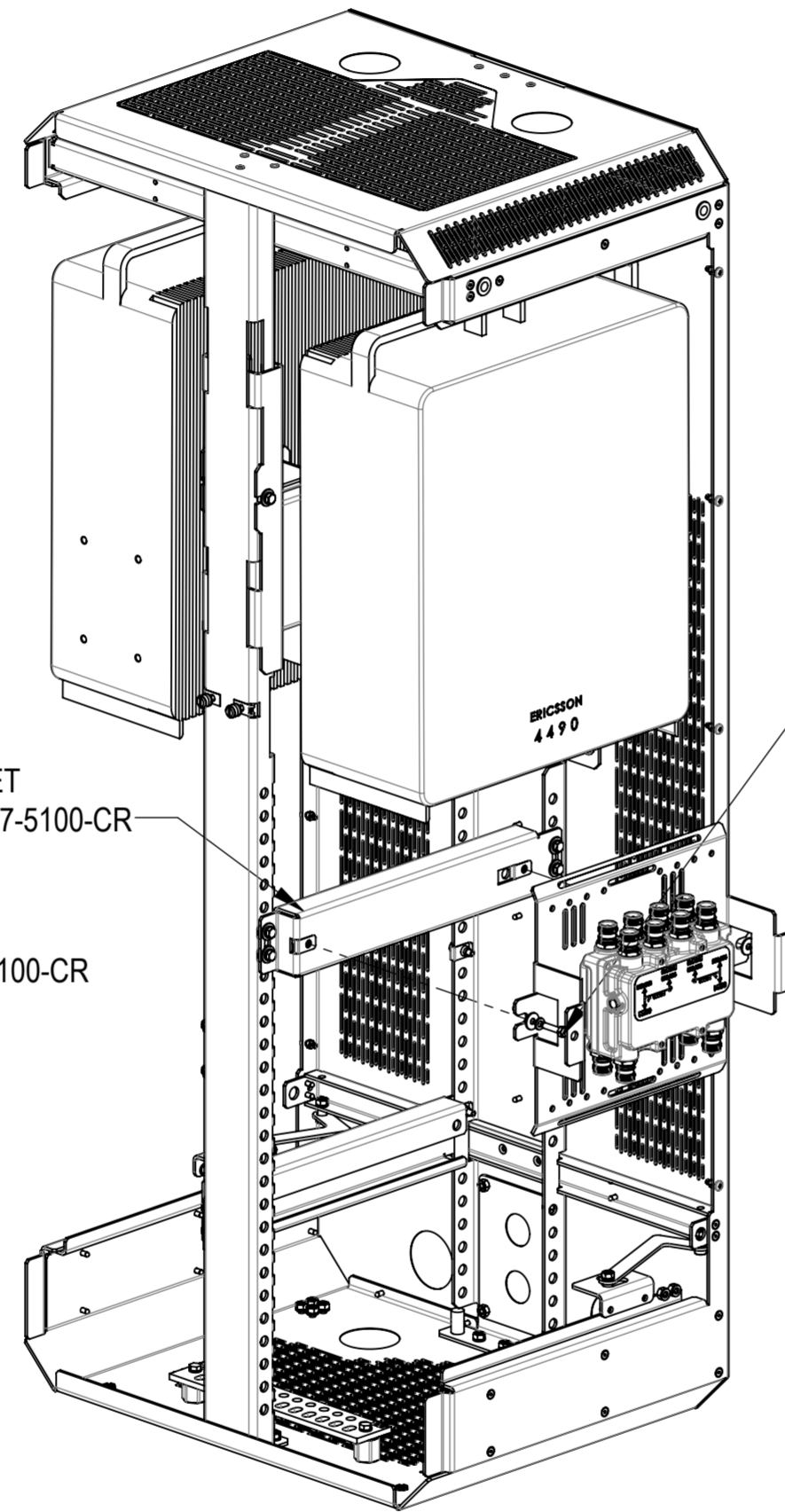
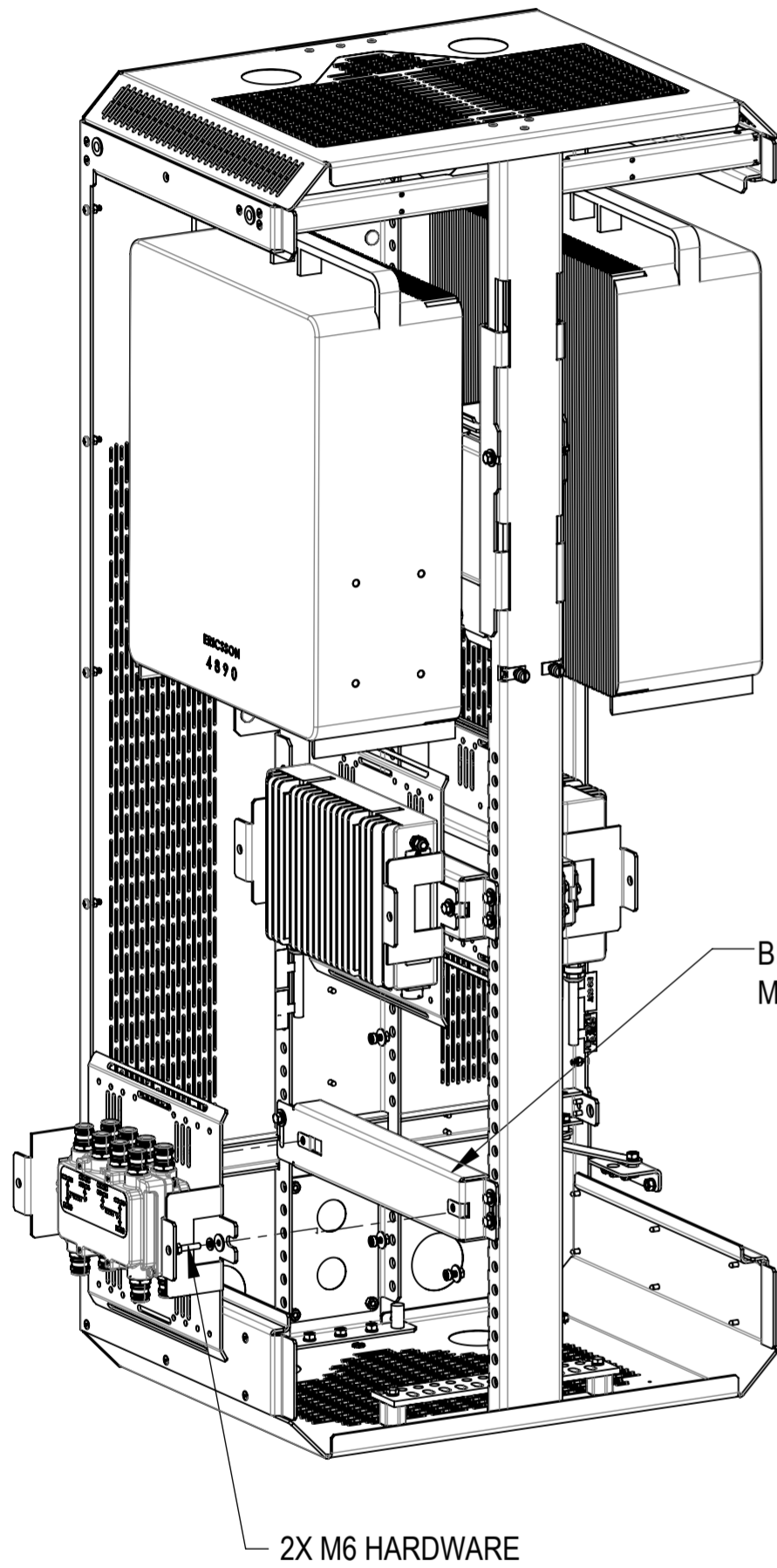
INSTALL AC08 WITH BRACKET ON MOUNT BRACKETS
MTM1137-5100-CR USING 2 SETS OF M6 HEX BOLT, LOCK
WASHER, FLAT WASHER AND CLIP NUT



6308 / 6304 / 6302 INSTALLATION:

INSTALL 6308 OR 6304 OR 6302 WITH BRACKET TO THE
ENCLOSURE USING 6 SETS OF M6 HEX BOLT, LOCK WASHER,
FLAT WASHER AND CLIP NUT

DIPLEXER & RAYCAP & FAN KITS INSTALLATION



DIPLEXER INSTALLATION: CONFIGURATION 1 & 5 (LEFT)

INSTALL DIPLEXER WITH BRACKET ON MOUNT BRACKETS MTM1137-5100-CR USING 2 SETS OF M6 HEX BOLT, LOCK WASHER, FLAT WASHER AND CLIP NUT

DIPLEXER INSTALLATION: CONFIGURATION 2, 3, 4, 6, 7, 8 (RIGHT)

INSTALL DIPLEXER WITH BRACKET ON MOUNT BRACKETS MTM1137-5100-CR USING 2 SETS OF M6 HEX BOLT, LOCK WASHER, FLAT WASHER AND CLIP NUT

RAYCAP INSTALLATION:

INSTALL RAYCAP WITH BRACKET ON MOUNT BRACKETS MTM1137-5100-CR USING 2 SETS OF M6 HEX BOLT, LOCK WASHER, FLAT WASHER AND CLIP NUT

FAN KITS INSTALLATION:

INSTALL THE FAN KIT 860661736-MV2-C03X TO THE TOP OF DBHP, SEE 860661736-MV2-C03-INSTALL