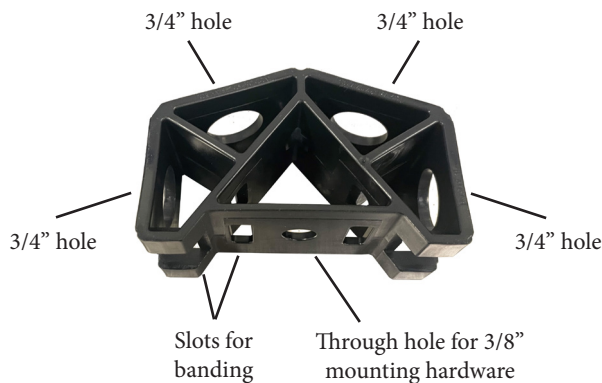


SA-4C

Four-way Stand-off Adapter for PIM-Guard® SnapTak® Hangers

Bulletin 7861633 Revision B Page 1 of 1



1 Insert banding through desired slots. Use outside slots for mounting on large diameter pipes and poles. Inside slots for small diameters.



2 Tighten banding to secure 4-way adapter tightly to round member. Cut off excess strap tail.



3a Configuration showing adapter securely attached to round member. Maximum hanger loading is twelve 4-30 mm hangers or eight 36-42 mm hangers.



3b Four-way adapter can also be mounted to tower angle and standoff adapters with 3/8" hardware. Same maximum hanger loading applies.



Additional CommScope Materials

Part Number	Description
CB-12-16LH	Heat-stabilized weather resistant acetal cable banding, 1/2 in x 16 in length
CB-12-27LH	Heat-stabilized weather resistant acetal cable banding, 1/2 in x 27 in length
CB-12-50	Cable banding, 1/2 inch X 50 foot reel
CB-LH-25	Locking heads for cable banding number CB-12-50
CB-IT	Installation Tool for CB-LH-25
243684	Angle adapter
SSH-411	SnapTak 4.0 mm to 11.0 mm cable hanger – 4 stack per hole
SSH-1117	SnapTak 11.0 mm to 17.0 mm cable hanger – 4 stack per hole
SSH-2630	SnapTak 26.0 mm to 30.0 mm cable hanger – 4 stack per hole
SSH-3642	SnapTak 36.0 mm to 42.0 mm cable hanger – 3 stack per hole

CommScope
3642 E US Highway 70, Claremont, NC 28610 USA
(828) 324-2200 (800) 982-1708
www.commscope.com

Technical Support
+1 888 297 6433, Option 3 (Toll Free US and Canada)
+1 828 323 4220, Option 3 (local)
<https://www.commscope.com/wisupport> (open a ticket)

Notice: CommScope disclaims any liability or responsibility for the results of improper or unsafe installation, inspection, maintenance, or removal practices.
Aviso: CommScope no acepta ninguna obligación ni responsabilidad como resultado de prácticas incorrectas o peligrosas de instalación, inspección, mantenimiento o retiro.
Avis: CommScope décline toute responsabilité pour les conséquences de procédures d'installation, d'inspection, d'entretien ou de retrait incorrectes ou dangereuses.
Hinweis: CommScope lehnt jede Haftung oder Verantwortung für Schäden ab, die aufgrund unsachgemäßer Installation, Überprüfung, Wartung oder Demontage auftreten.
Atenção: A CommScope abdica do direito de toda responsabilidade pelos resultados de práticas inadequadas e sem segurança de instalação, inspeção, manutenção ou remoção.
Avvertenza: CommScope declina eventuali responsabilità derivanti dall'esecuzione di procedure di installazione, ispezione, manutenzione e smontaggio improprie o poco sicure.