

4

3

2

1

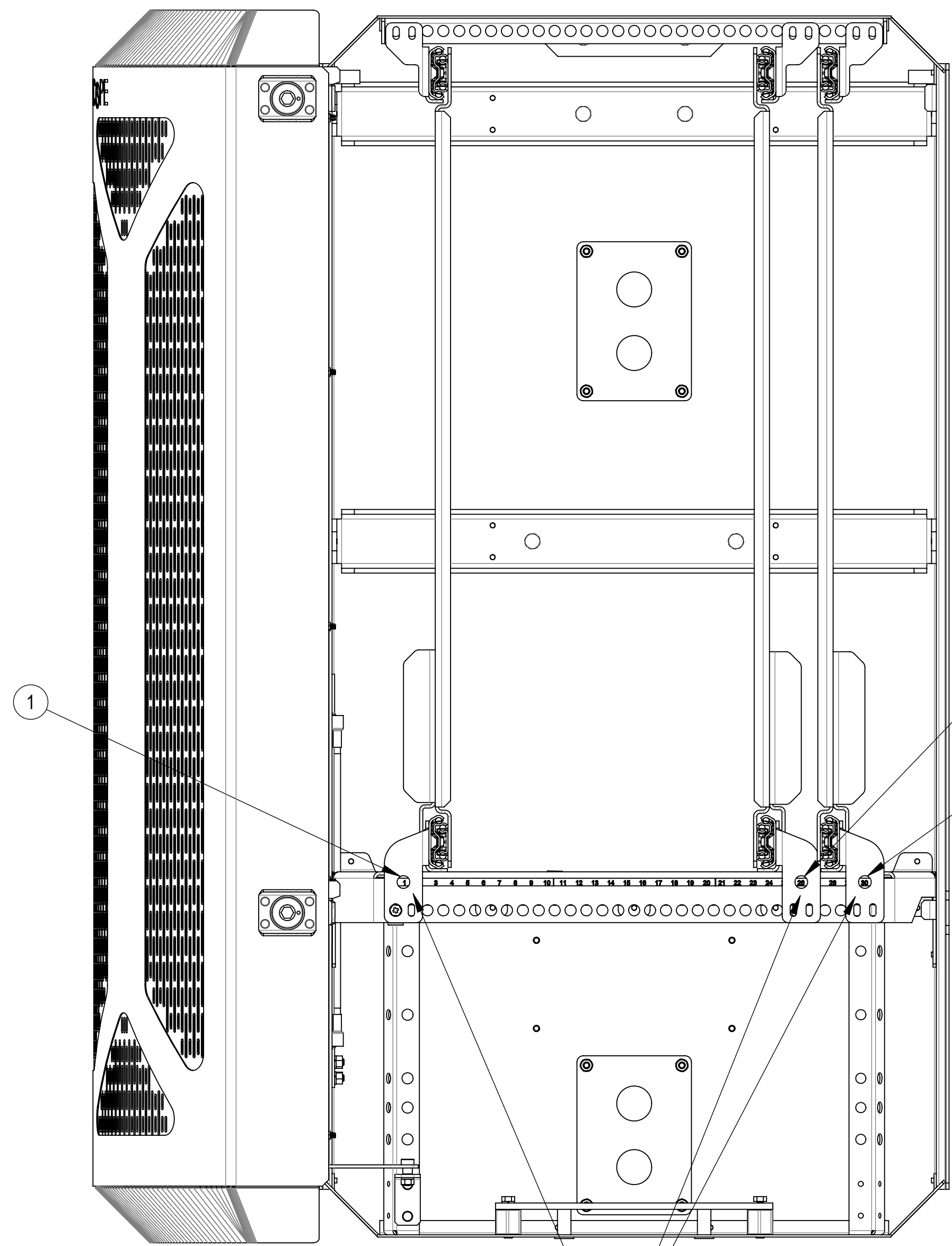
REVISIONS			
REV	DESCRIPTION	DATE	APPROVED
A	INITIAL RELEASE	LL1090 17FEB23	TN1010 40154913CMO
B	ADDED CONFIGURATION S2.02, S4.02, S8.02, S9.02	NSUN 05MAR24	LX1002 40190389CMO
C	ADDED RT4423-48A IN ALL CONFIGS	MS1288 07APR24	LX1002 40192906CMO

D

C

B

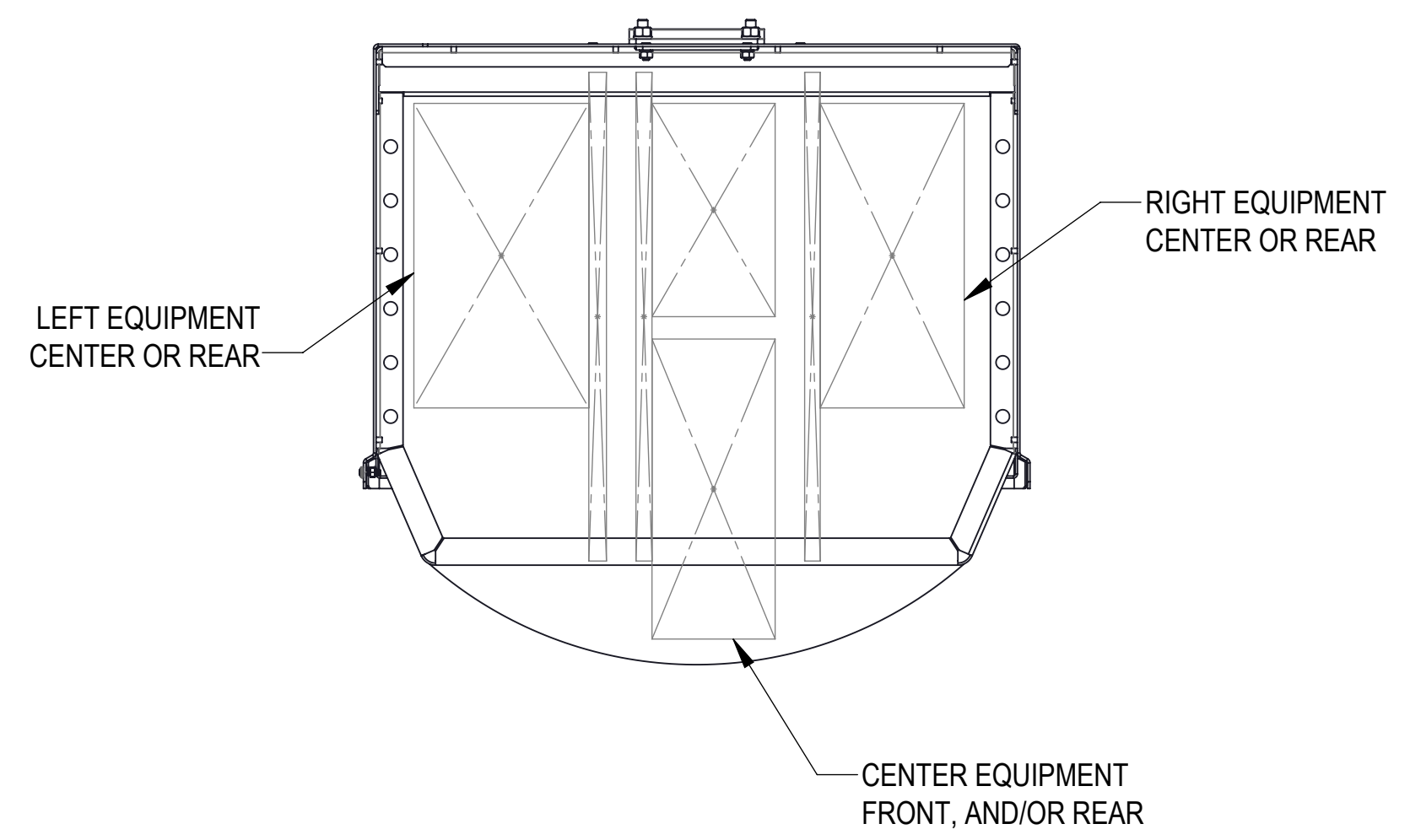
A



BASE ENCLOSURE ARE SHIPPED WITH 3 SLIDE PANELS

CONFIGURE SLIDE PANELS PER EQUIPMENT CONFIGURATION

EMPTY ENCLOSURE CONFIGURATION



COMMSCOPE, INC. OF NORTH CAROLINA

TOLERANCES		SAP MATERIAL MASTER	
1 PLACE .X(X) ± 0.25[6]	3 PLACE .XXX.XX ± 0.060[1.5]	860661736-MV2-C020	
2 PLACE .XX(X) ± 0.12[3.0]	ANGLES ± 2°	FINISH MATERIAL	

UNLESS OTHERWISE SPECIFIED DIMENSIONS ARE IN INCHES INTERPRET PER ANSI Y 14.5M-1994	NAME	DATE	TITLE	
	CE LL1090	17FEB23	INSTALL INSTRUCTIONS, ORAN, MV2	
	RW NSUN	04/23/2024		
	AD LX1002	04/23/2024	SCALE	DOCUMENT NO.
	RE DM1121	04/23/2024	1:5	860661736-MV2-C020-INSTALL
ECN 40192906CMO				

DENSITY	lbs/in ³	
MASS	lbs	
VOLUME	in ³	
SURFACE AREA	in ²	

HEIGHT					
LENGTH					
WIDTH					

SIZE	Auth Group	INSL	MODEL	DRAWING			SHEET	
C	⊕	◁	VERSION	STATUS	REVISION	VERSION	STATUS	REVISION
			RE	C	02	RE	C	1 OF 20

4

3

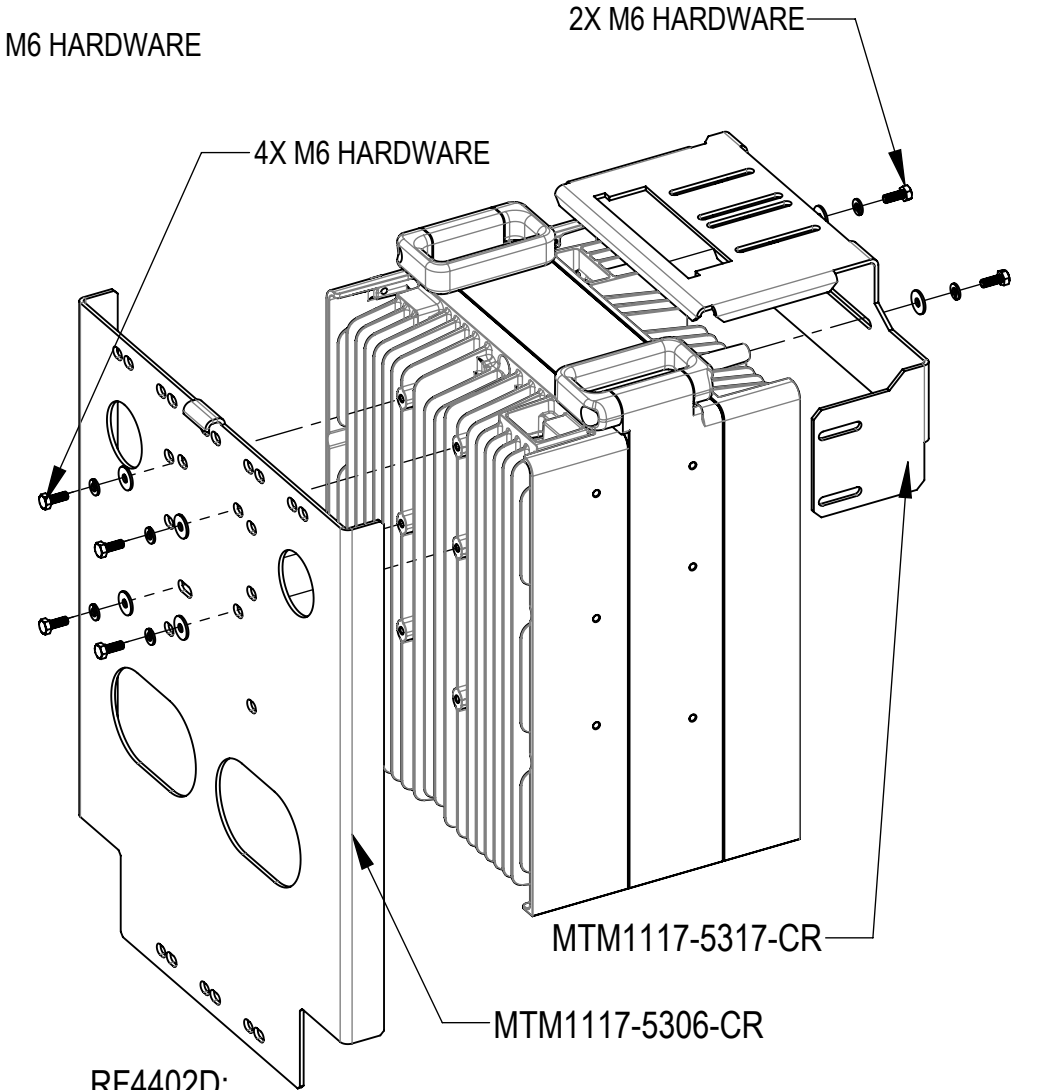
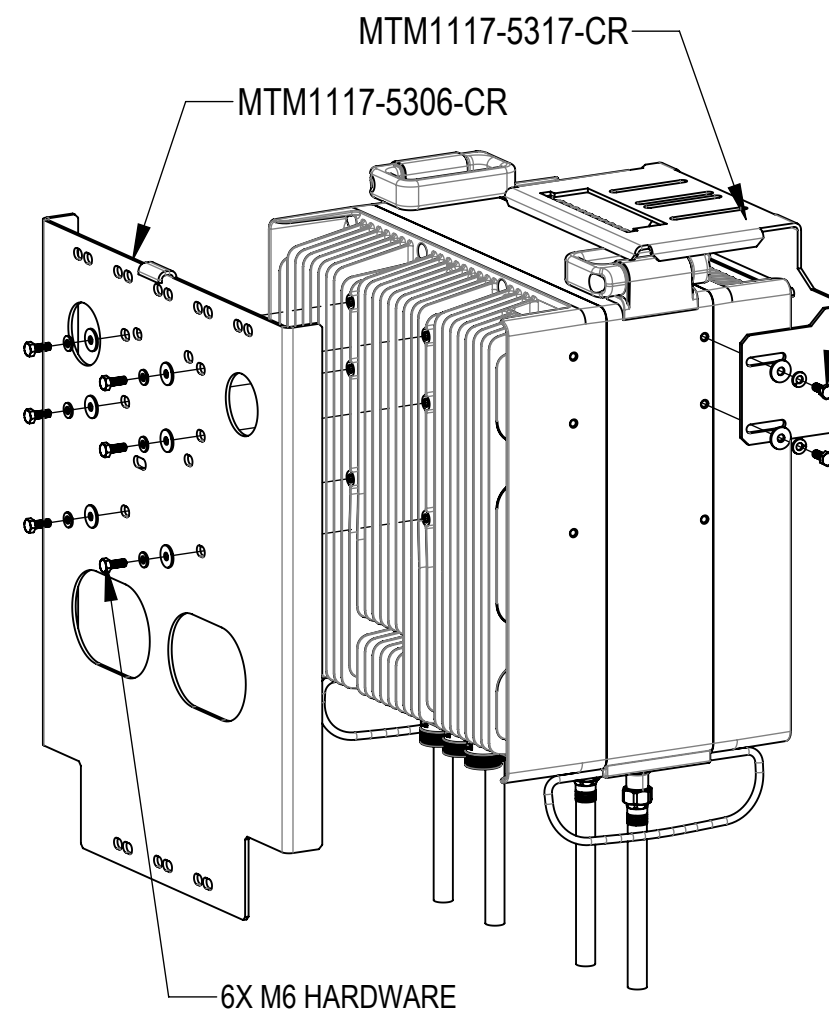
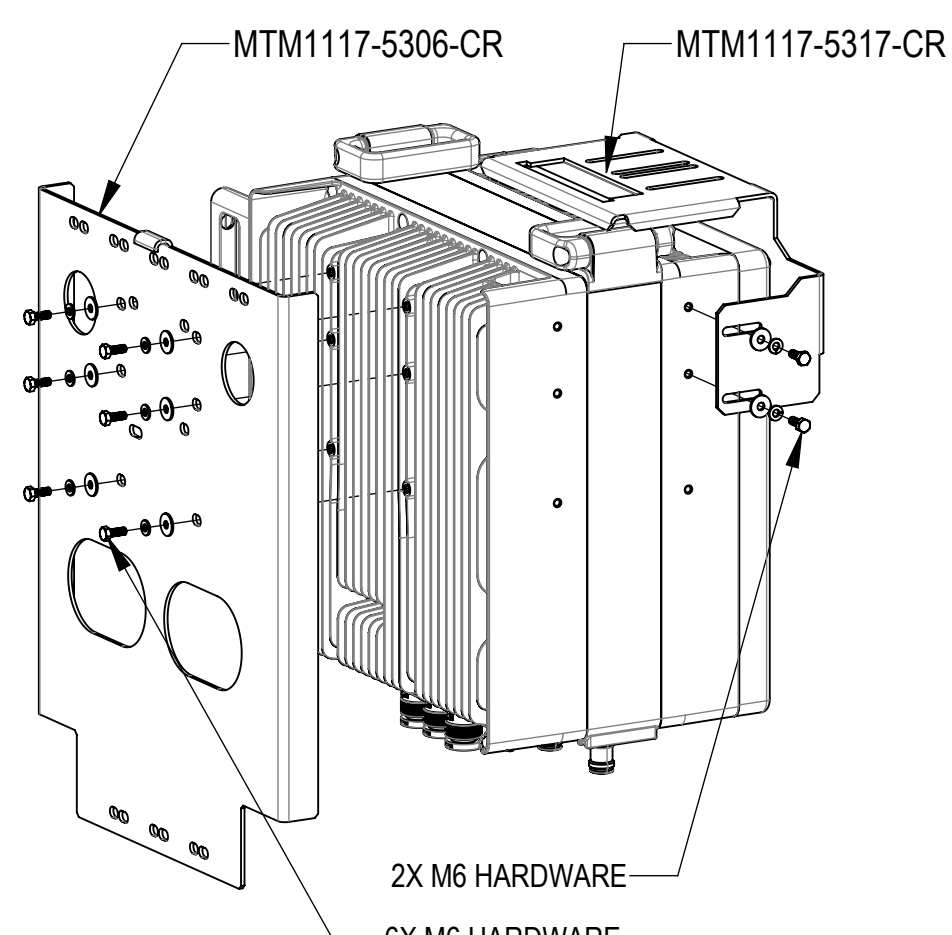
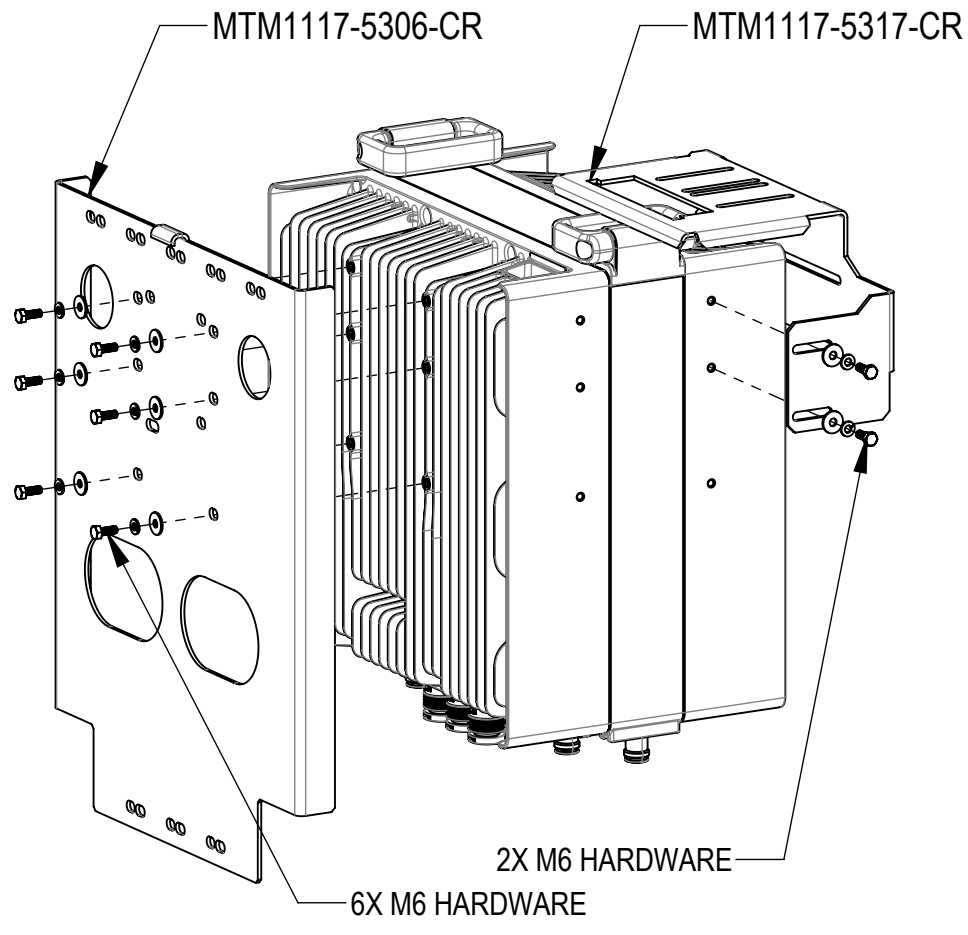
2

1

4		3		2		1				
REGION	CONFIGURATION	SHEET NO.	EQUIP. 1	EQUIP. 2	EQUIP. 3	EQUIP. 4	EQUIP. 5	EQUIP. 6	EQUIP. 7	EQUIP. 8
-	S1	8	SAMSUNG 320W PCS/AWS ORAN RU (RF4439D-25A)	-	DELTA 2.0kW RECTIFIER "ESR-4838A"	-	SAMSUNG LAA RT2201-46A	SAMSUNG CBRS RT4401-48A OR RT4423-48A	SDX1926Q-43	RAYCAP
-	S2	9	SAMSUNG 320W 700/850 ORAN (RF4440D-13A)	-	DELTA 2.0kW RECTIFIER "ESR-4838A"	-	SAMSUNG LAA RT2201-46A	SAMSUNG CBRS RT4401-48A OR RT4423-48A	SDX1926Q-43	RAYCAP
-	S3	10	SAMSUNG 320W PCS/AWS ORAN RU (RF4439D-25A)	SAMSUNG 320W PCS/AWS ORAN RU (RF4439D-25A)	DELTA 2.0kW RECTIFIER "ESR-4838A"	DELTA 2.0kW RECTIFIER "ESR-4838A"	SAMSUNG LAA RT2201-46A	SAMSUNG CBRS RT4401-48A OR RT4423-48A	SDX1926Q-43	RAYCAP
-	S4	11	SAMSUNG 320W 700/850 ORAN (RF4440D-13A)	SAMSUNG 320W 700/850 ORAN (RF4440D-13A)	DELTA 2.0kW RECTIFIER "ESR-4838A"	DELTA 2.0kW RECTIFIER "ESR-4838A"	SAMSUNG LAA RT2201-46A	SAMSUNG CBRS RT4401-48A OR RT4423-48A	SDX1926Q-43	RAYCAP
-	S5	12	SAMSUNG 160W DUAL-BAND (RF4402D-D1A)	-	DELTA 2.0kW RECTIFIER "ESR-4838A"	-	SAMSUNG LAA RT2201-46A	SAMSUNG CBRS RT4401-48A OR RT4423-48A	SDX1926Q-43	RAYCAP
-	S6	13	SAMSUNG 160W DUAL-BAND (RF4402D-D1A)	SAMSUNG 160W DUAL-BAND (RF4402D-D1A)	DELTA 2.0kW RECTIFIER "ESR-4838A"	DELTA 2.0kW RECTIFIER "ESR-4838A"	SAMSUNG LAA RT2201-46A	SAMSUNG CBRS RT4401-48A OR RT4423-48A	SDX1926Q-43	RAYCAP
-	S7	14	SAMSUNG 320W PCS/AWS ORAN RU (RF4439D-25A)	SAMSUNG 160W DUAL-BAND (RF4402D-D1A)	DELTA 2.0kW RECTIFIER "ESR-4838A"	DELTA 2.0kW RECTIFIER "ESR-4838A"	SAMSUNG LAA RT2201-46A	SAMSUNG CBRS RT4401-48A OR RT4423-48A	SDX1926Q-43	RAYCAP
-	S8	15	SAMSUNG 320W PCS/AWS ORAN RU (RF4439D-25A)	SAMSUNG 320W 700/850 ORAN (RF4440D-13A)	DELTA 2.0kW RECTIFIER "ESR-4838A"	DELTA 2.0kW RECTIFIER "ESR-4838A"	SAMSUNG LAA RT2201-46A	SAMSUNG CBRS RT4401-48A OR RT4423-48A	SDX1926Q-43	RAYCAP
-	S9	16	SAMSUNG 320W 700/850 ORAN (RF4440D-13A)	SAMSUNG 160W DUAL-BAND (RF4402D-D1A)	DELTA 2.0kW RECTIFIER "ESR-4838A"	DELTA 2.0kW RECTIFIER "ESR-4838A"	SAMSUNG LAA RT2201-46A	SAMSUNG CBRS RT4401-48A OR RT4423-48A	SDX1926Q-43	RAYCAP
-	S2.02	17	SAMSUNG 700/850 ORAN (RF4461D)	-	DELTA 2.0kW RECTIFIER "ESR-4838A"	DELTA 2.0kW RECTIFIER "ESR-4838A"	SAMSUNG LAA RT2201-46A	SAMSUNG CBRS RT4401-48A OR RT4423-48A	SDX1926Q-43	RAYCAP
-	S4.02	18	SAMSUNG 700/850 ORAN (RF4461D)	SAMSUNG 700/850 ORAN (RF4461D)	DELTA 2.0kW RECTIFIER "ESR-4838A"	DELTA 2.0kW RECTIFIER "ESR-4838A"	SAMSUNG LAA RT2201-46A	SAMSUNG CBRS RT4401-48A OR RT4423-48A	SDX1926Q-43	RAYCAP
-	S8.02	19	SAMSUNG 700/850 ORAN (RF4461D)	SAMSUNG 320W PCS/AWS ORAN RU (RF4439D-25A)	DELTA 2.0kW RECTIFIER "ESR-4838A"	DELTA 2.0kW RECTIFIER "ESR-4838A"	SAMSUNG LAA RT2201-46A	SAMSUNG CBRS RT4401-48A OR RT4423-48A	SDX1926Q-43	RAYCAP
-	S9.02	20	SAMSUNG 700/850 ORAN (RF4461D)	SAMSUNG 160W DUAL-BAND (RF4402D-D1A)	DELTA 2.0kW RECTIFIER "ESR-4838A"	DELTA 2.0kW RECTIFIER "ESR-4838A"	SAMSUNG LAA RT2201-46A	SAMSUNG CBRS RT4401-48A OR RT4423-48A	SDX1926Q-43	RAYCAP

COMMSCOPE, INC. OF NORTH CAROLINA				
TITLE INSTALL INSTRUCTIONS,ORAN,MV2				
SIZE C	SCALE 1:12	DOCUMENT NO. 860661736-MV2-C020-INSTAL		
DRAWING				SHEET
VERSION 02		STATUS RE	REVISION C	2 OF 20

EQUIPMENT MOUNTING INSTALLATION



RF4439D:

- A) INSTALL RF4439D TO THE MOUNTING BRACKET MTM1117-5306 USING 6 SETS OF M6 HEX BOLTS, LOCK AND FLAT WASHERS AS SHOWN
- B) INSTALL RF4439D WITH BRACKET TO THE MOUNTING BRACKET MTM1117-5317 USING 2 SETS OF M6 HEX BOLTS, LOCK AND FLAT WASHERS AS SHOWN

RF4440D:

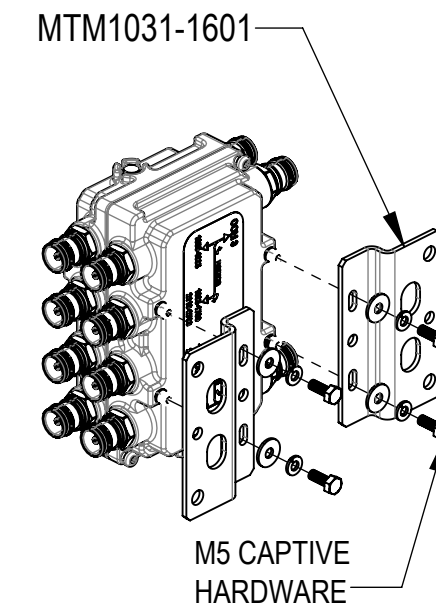
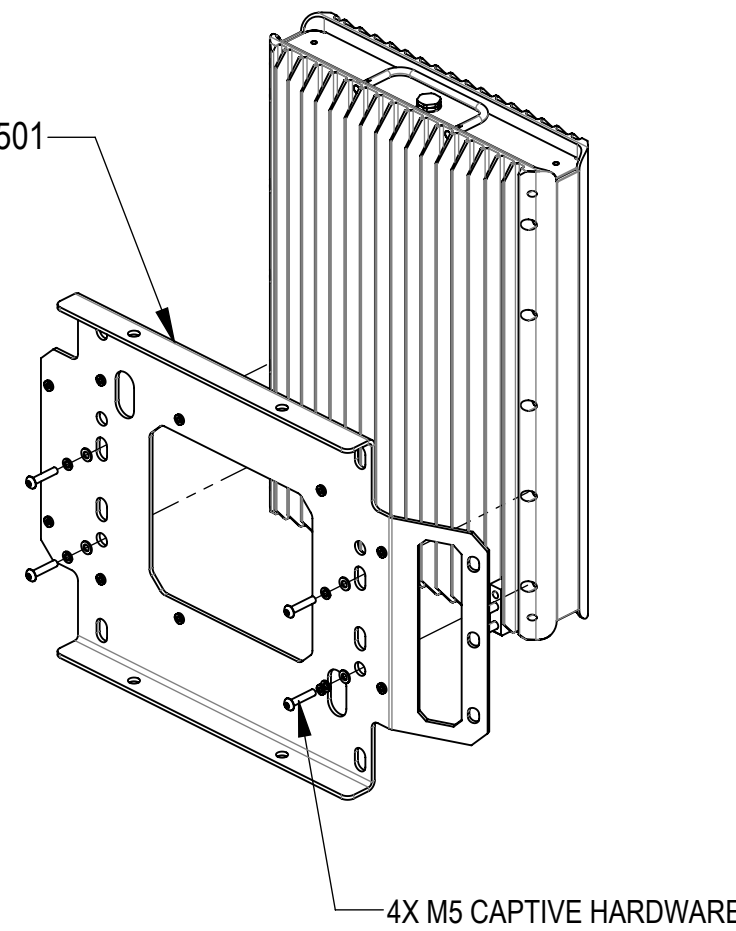
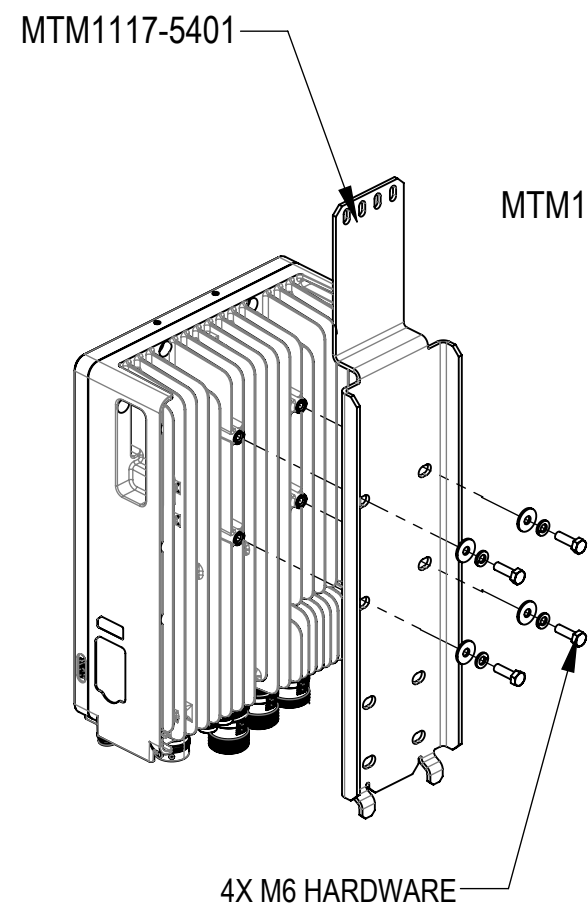
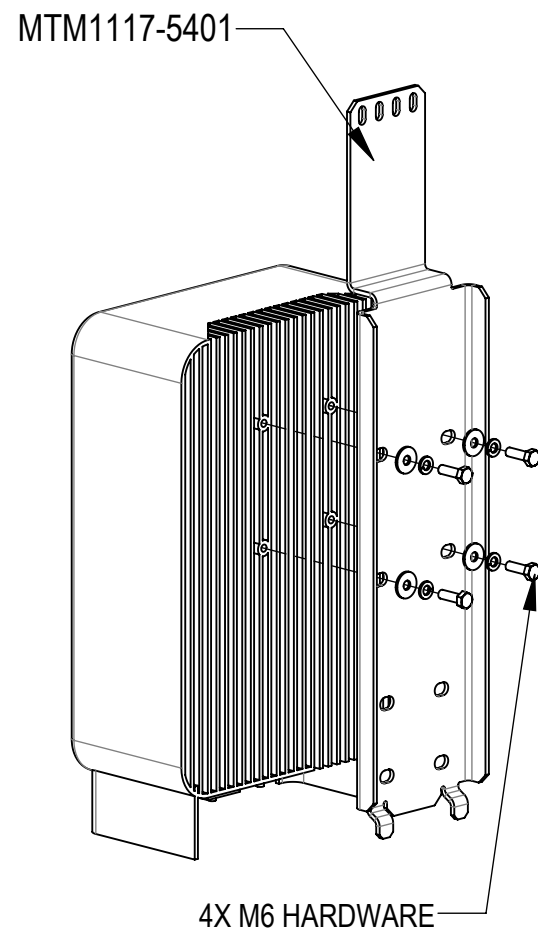
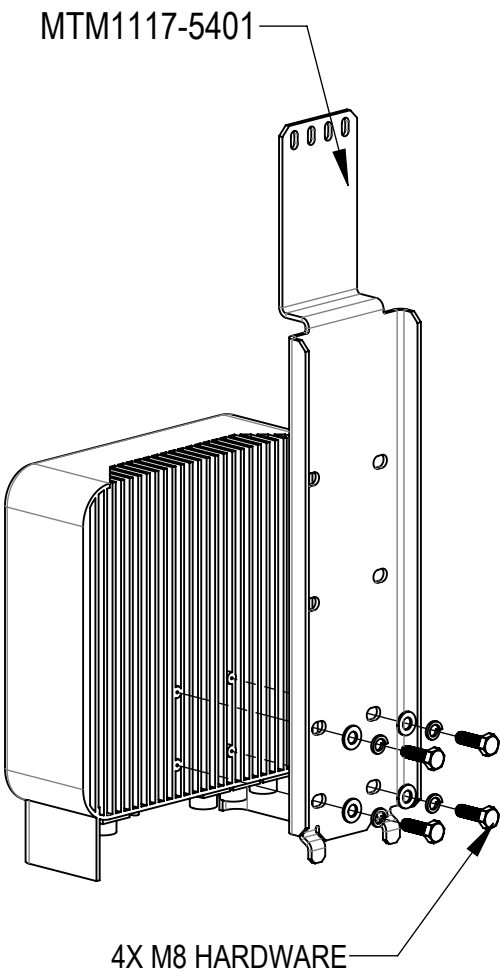
- A) INSTALL RF4440D TO THE MOUNTING BRACKET MTM1117-5306 USING 6 SETS OF M6 HEX BOLTS, LOCK AND FLAT WASHERS AS SHOWN
- B) INSTALL RF4440D WITH BRACKET TO THE MOUNTING BRACKET MTM1117-5317 USING 2 SETS OF M6 HEX BOLTS, LOCK AND FLAT WASHERS AS SHOWN

RF4461D:

- A) INSTALL RF4461D TO THE MOUNTING BRACKET MTM1117-5306 USING 6 SETS OF M6 HEX BOLTS, LOCK AND FLAT WASHERS AS SHOWN
- B) INSTALL RF4461D WITH BRACKET TO THE MOUNTING BRACKET MTM1117-5317 USING 2 SETS OF M6 HEX BOLTS, LOCK AND FLAT WASHERS AS SHOWN

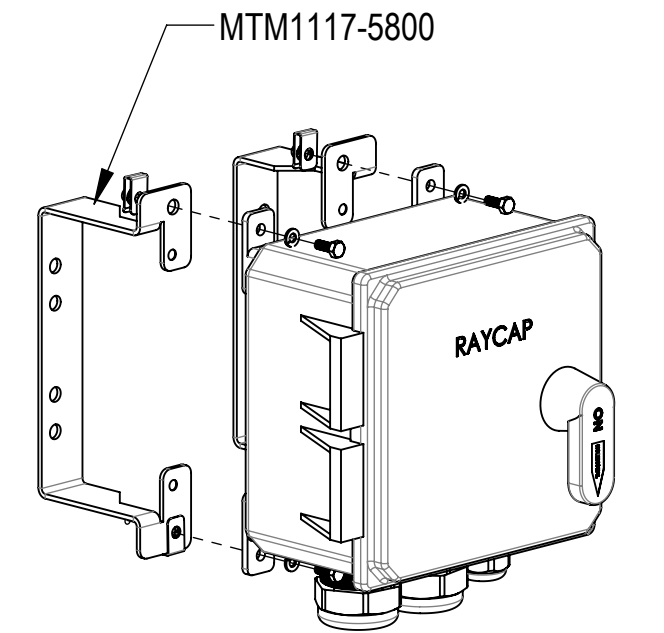
RF4402D:

- A) INSTALL RF4402D TO THE MOUNTING BRACKET MTM1117-5306 USING 4 SETS OF M6 HEX BOLTS, LOCK AND FLAT WASHERS AS SHOWN
- B) INSTALL RF4402D WITH BRACKET TO THE MOUNTING BRACKET MTM1117-5317 USING 2 SETS OF M6 HEX BOLTS, LOCK AND FLAT WASHERS AS SHOWN



DIPLEXER:

INSTALL THE DIPLEXER TO THE BRACKETS MTM1031-1601 USING 4 SETS OF M5 CAPTIVE HARDWARE PROVIDED WITH THE DIPLEXER



RAYCAP:

INSTALL THE RAYCAP TO THE BRACKETS MTM1117-5800 USING 4 SETS OF M6 SEM SCREWS

LAA RT2201:

INSTALL SAM LAA RT2201 TO THE MOUNTING BRACKET MTM1117-5401 USING 4 SETS OF M8 HEX BOLTS, LOCK AND FLAT WASHERS AS SHOWN

CBRS RT4401:

INSTALL SAM CBRS RT4401 TO THE MOUNTING BRACKET MTM1117-5401 USING 4 SETS OF M6 HEX BOLTS, LOCK AND FLAT WASHERS AS SHOWN

CBRS RT4423:

INSTALL SAM CBRS RT4423 TO THE MOUNTING BRACKET MTM1117-5401 USING 4 SETS OF M6 HEX BOLTS, LOCK AND FLAT WASHERS AS SHOWN

DELTA 2.0kW:

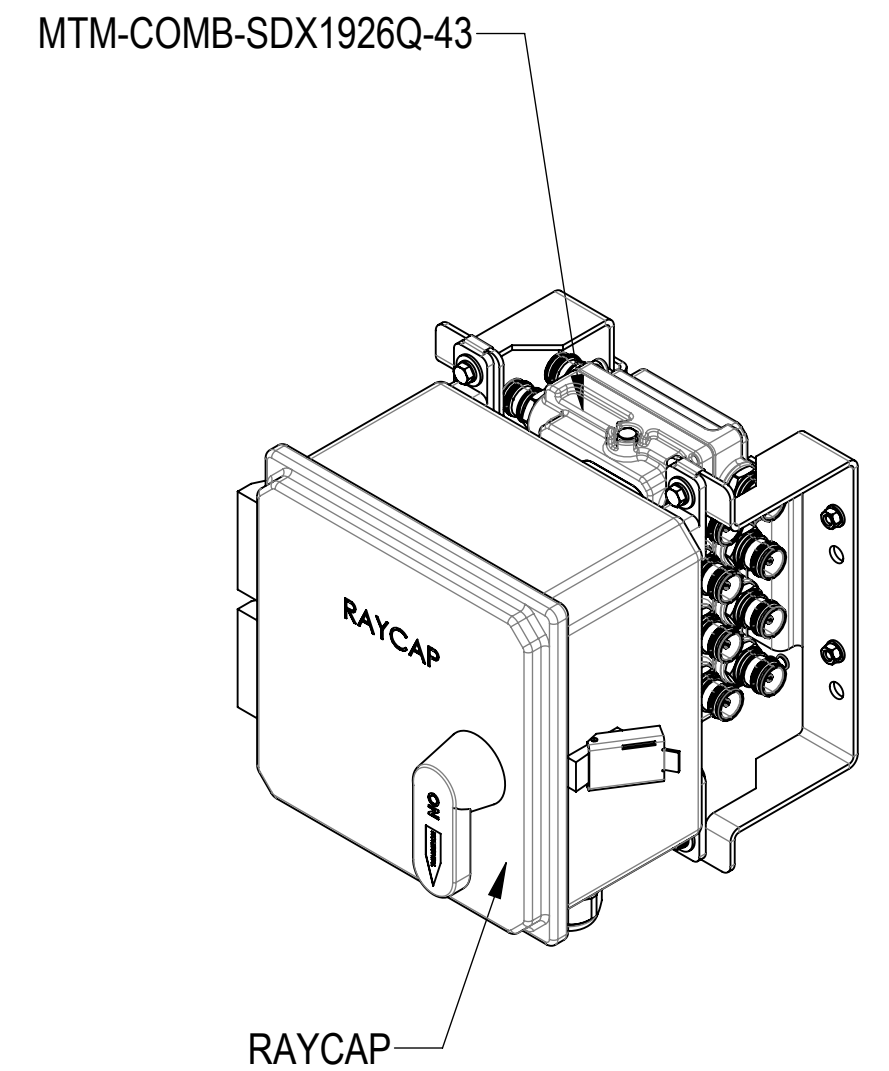
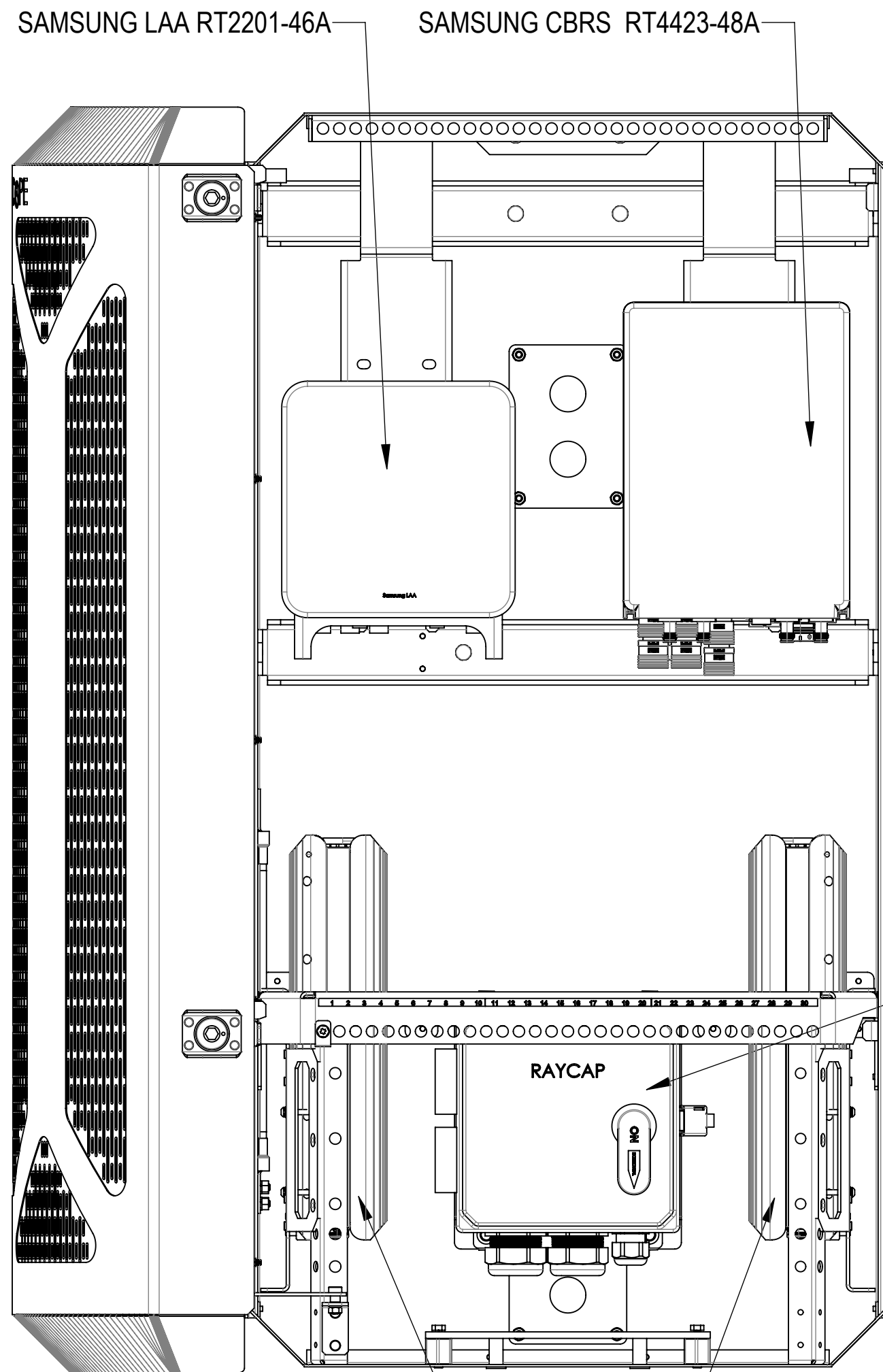
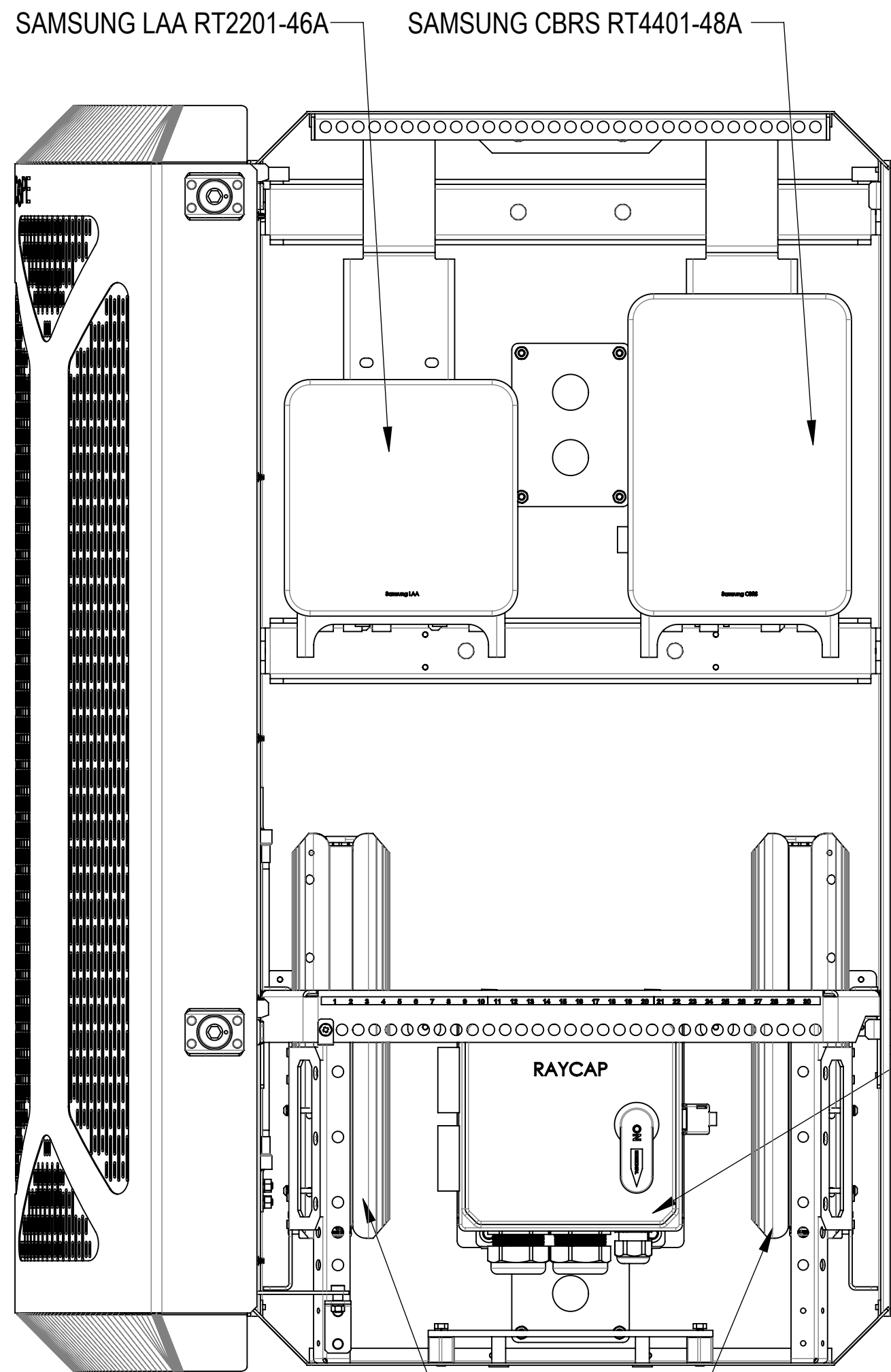
INSTALL DELTA 2.0kW TO THE MOUNTING BRACKET MTM1117-5501 USING 4 SETS OF M5 CAPTIVE HARDWARE PROVIDED WITH THE PSU

COMMScope, INC. OF NORTH CAROLINA

TITLE				
INSTALL INSTRUCTIONS, ORAN, MV2				
SIZE	SCALE	DOCUMENT NO.		
C	1:4	860661736-MV2-C020-INSTAL		
DRAWING				SHEET
VERSION	STATUS	REVISION	3 OF 20	
02	RE	C		

SAMSUNG - REAR WALL & LOWER SECTION EQUIPMENT MOUNTING OPTIONS

EQUIPMENT	LEFT BACK WALL	RIGHT BACK WALL	LEFT SIDE	CENTER	RIGHT SIDE
SAMSUNG LAA RT2201-46A	X	X			
SAMSUNG CBRS RT4401-48A OR RT4423-48A	X	X			
DELTA 2.0kW RECTIFIER "ESR-4838A"			X		X
SDX1926Q-43				X	X
RAYCAP DISCONNECT				X	



COMMSCOPE, INC. OF NORTH CAROLINA			
TITLE INSTALL INSTRUCTIONS, ORAN, MV2			
SIZE C	SCALE 1:4	DOCUMENT NO. 860661736-MV2-C020-INSTAL	
DRAWING			SHEET
VERSION 02	STATUS RE	REVISION C	4 OF 20

4

3

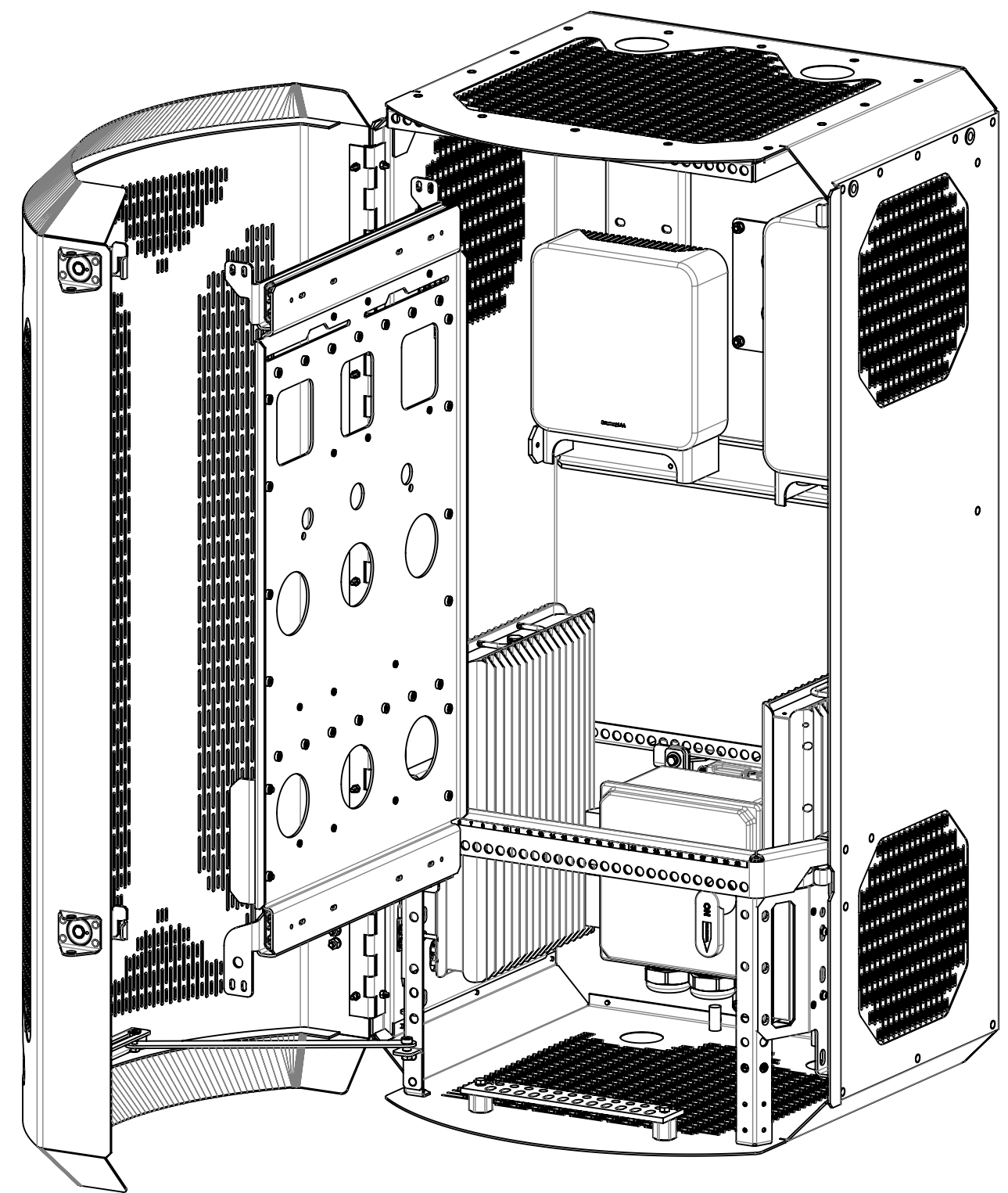
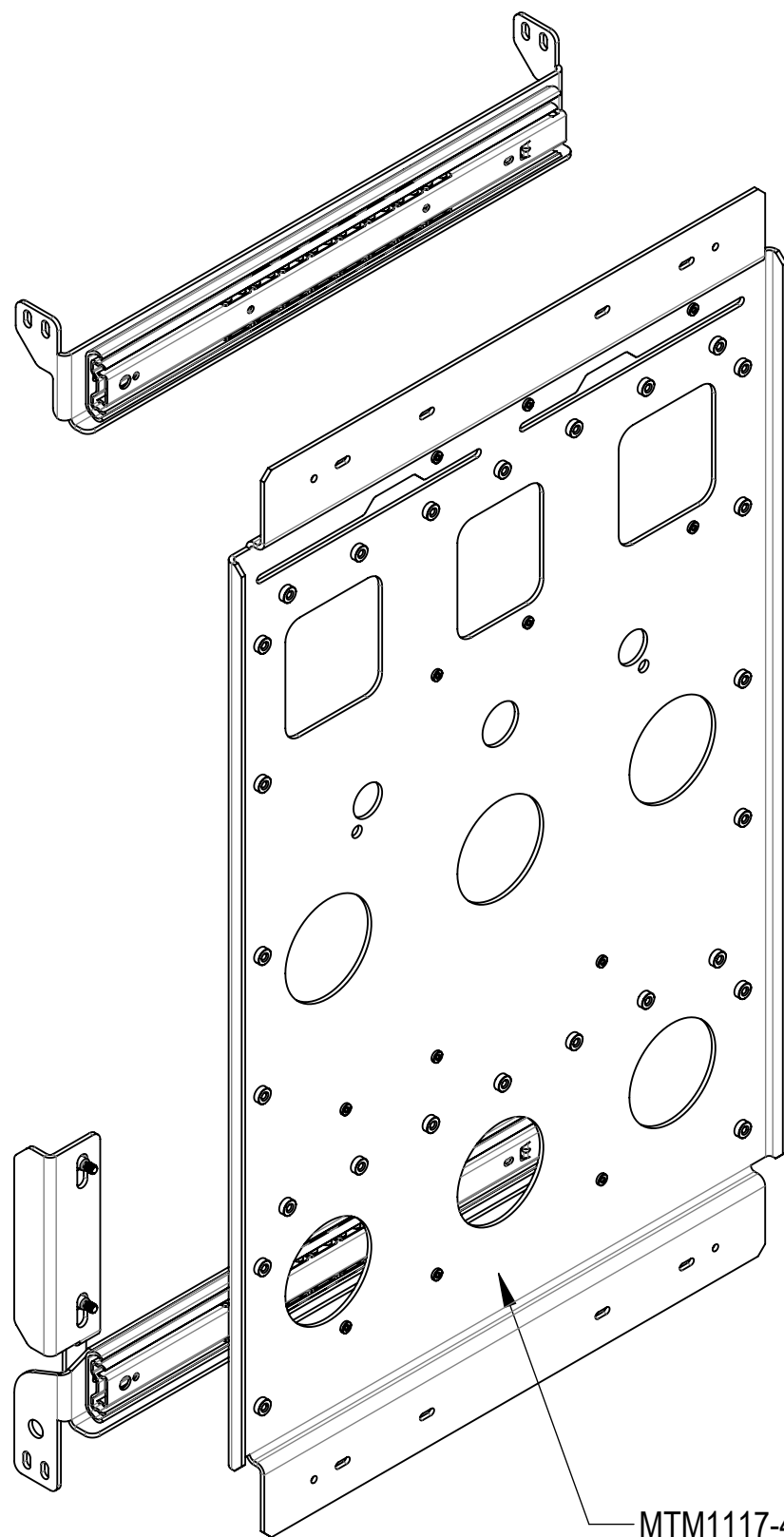
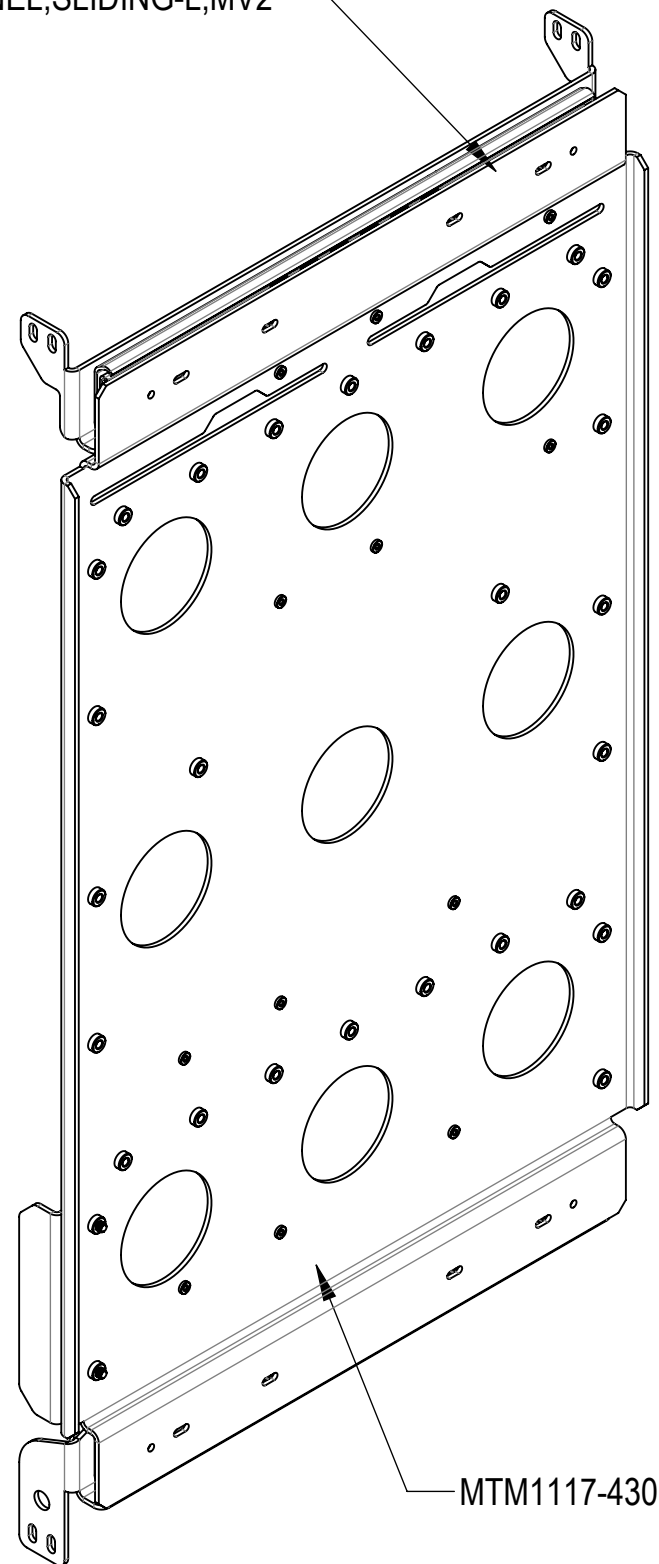
2

1

NOTES:

SLIDING BLADE ASSEMBLY

MTM1117-4300
ASSY,PANEL,SLIDING-L,MV2



(REAR WALL & LOWER SECTION EQUIPMENT MOUNTING NOT SHOWN)

MTM1117-4300(LEFT) & MTM1117-4400(RIGHT):

- A) REMOVE ASSY MTM1117-4300 (LEFT) & MTM1117-4400 (RIGHT)
- B) REPLACE BRACKET MTM1117-4301 WITH BRACKET MTM1117-4302-CR IN THE ASSY MTM1117-4300 (LEFT) & MTM1117-4400 (RIGHT)
- C) FIX REPLACED SLIDE PANELS ASSY TO THE ENCLOSURE

COMMSCOPE, INC. OF NORTH CAROLINA				
TITLE INSTALL INSTRUCTIONS,ORAN,MV2				
SIZE C	SCALE 1:12	DOCUMENT NO. 860661736-MV2-C020-INSTAL		
		DRAWING		SHEET
		VERSION	STATUS	REVISION
		02	RE	C
				5 OF 20

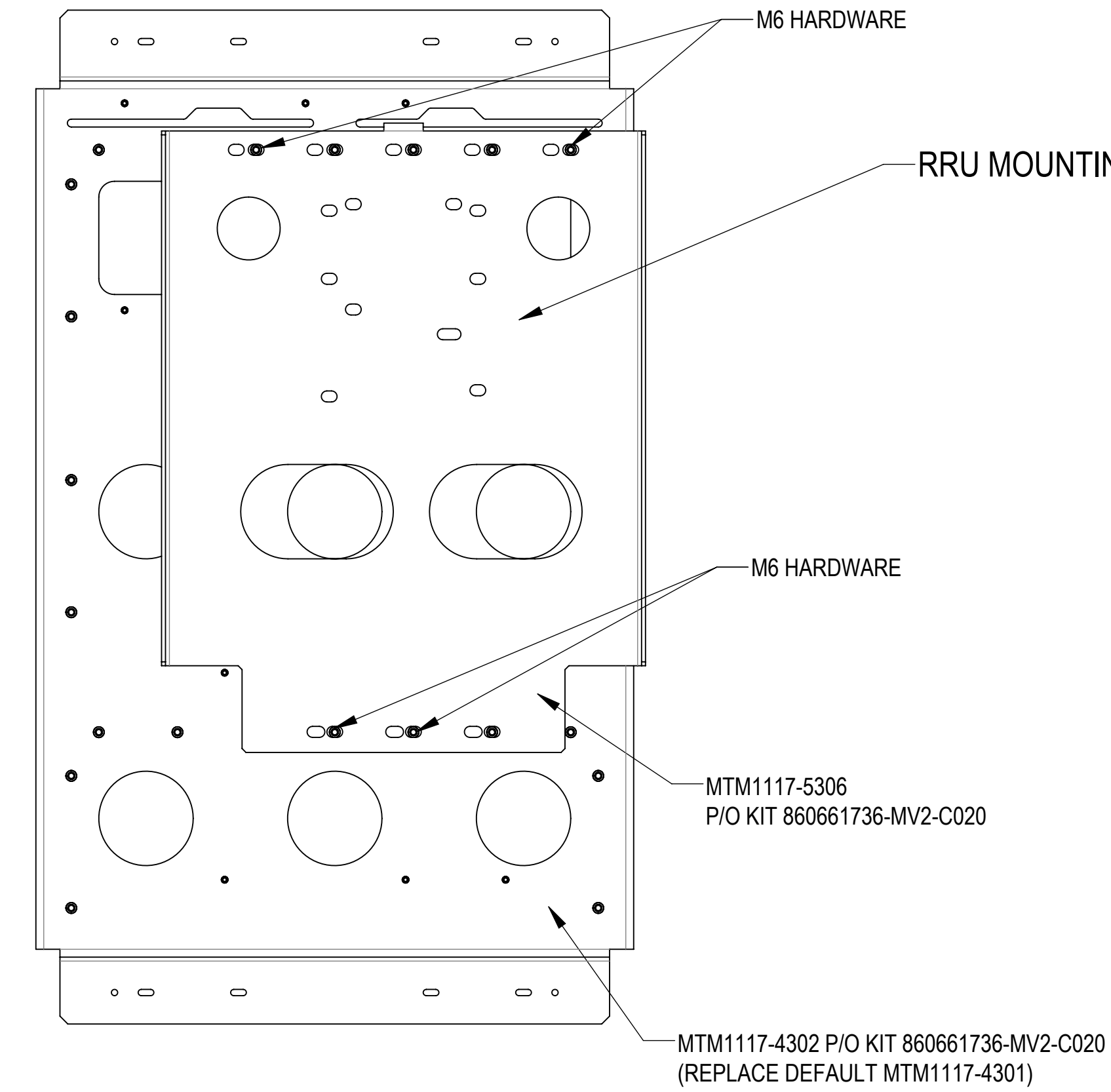
4

3

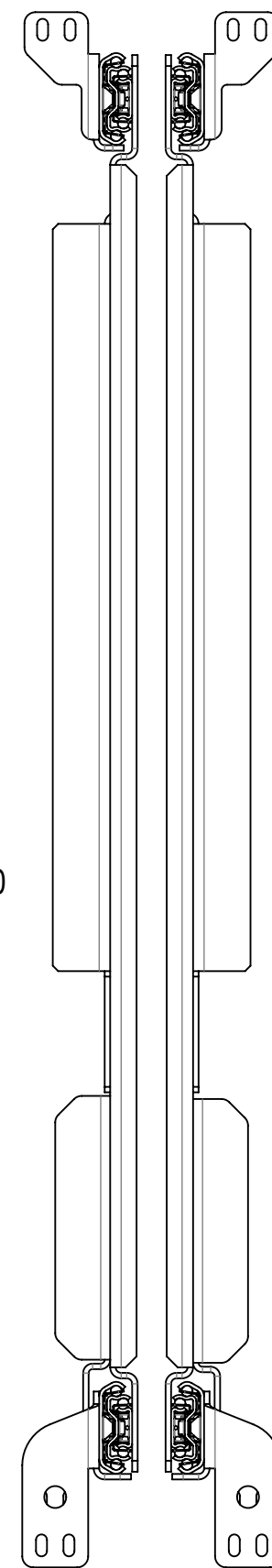
2

1

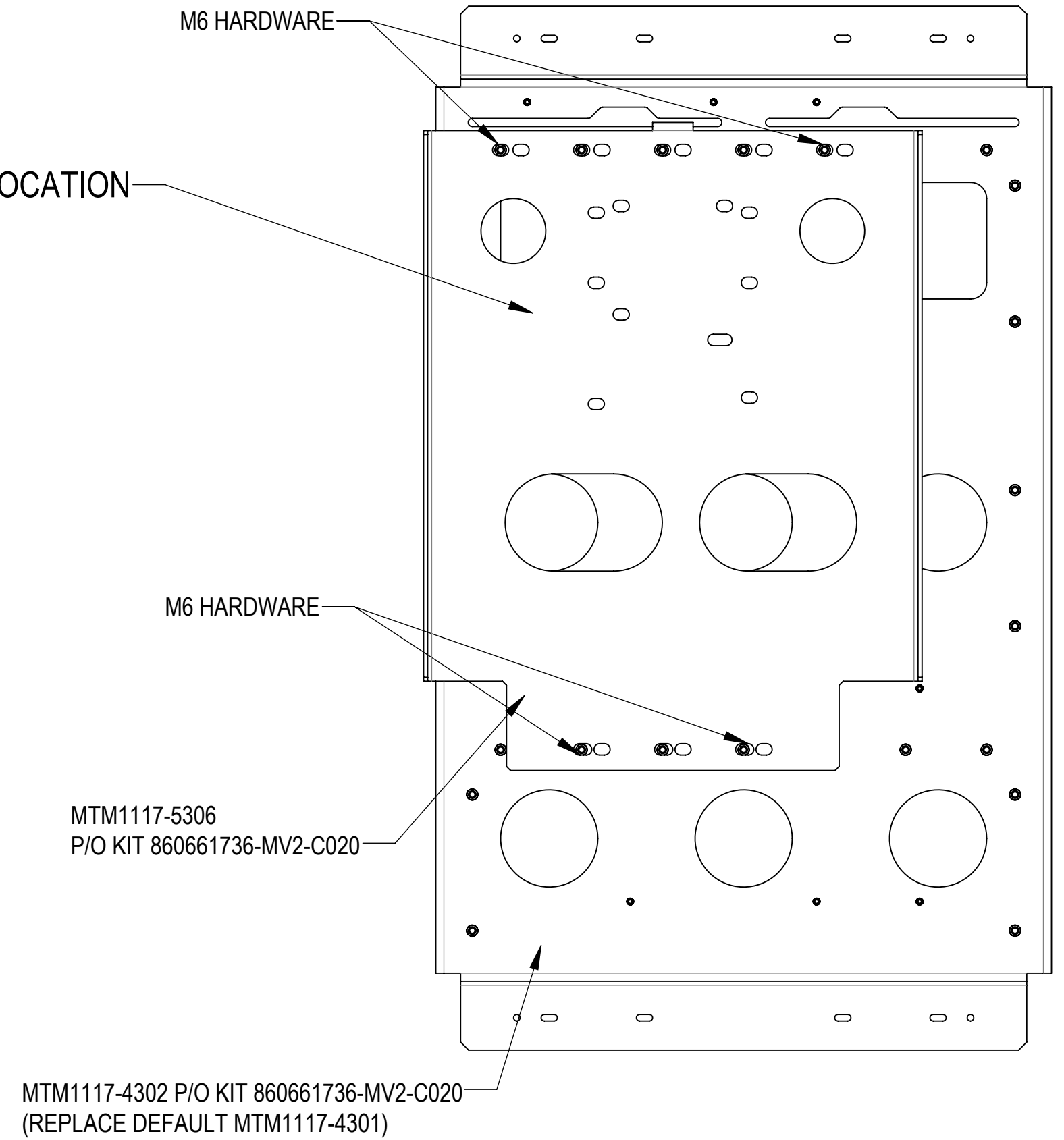
RRU BRACKET MOUNTING LOCATIONS



SLIDING BLADE ASSEMBLY
(LEFT FACING VIEW)
(EQUIPMENT & ENCLOSURE NOT SHOWN)



SLIDING BLADE ASSEMBLY
(FRONT VIEW)



SLIDING BLADE ASSEMBLY
(RIGHT FACING VIEW)
(EQUIPMENT & ENCLOSURE NOT SHOWN)

COMMSCOPE, INC. OF NORTH CAROLINA					
TITLE INSTALL INSTRUCTIONS, ORAN, MV2					
SIZE C	SCALE 1:12	DOCUMENT NO. 860661736-MV2-C020-INSTAL			
		DRAWING			SHEET 6 OF 20
		VERSION 02	STATUS RE	REVISION C	

4

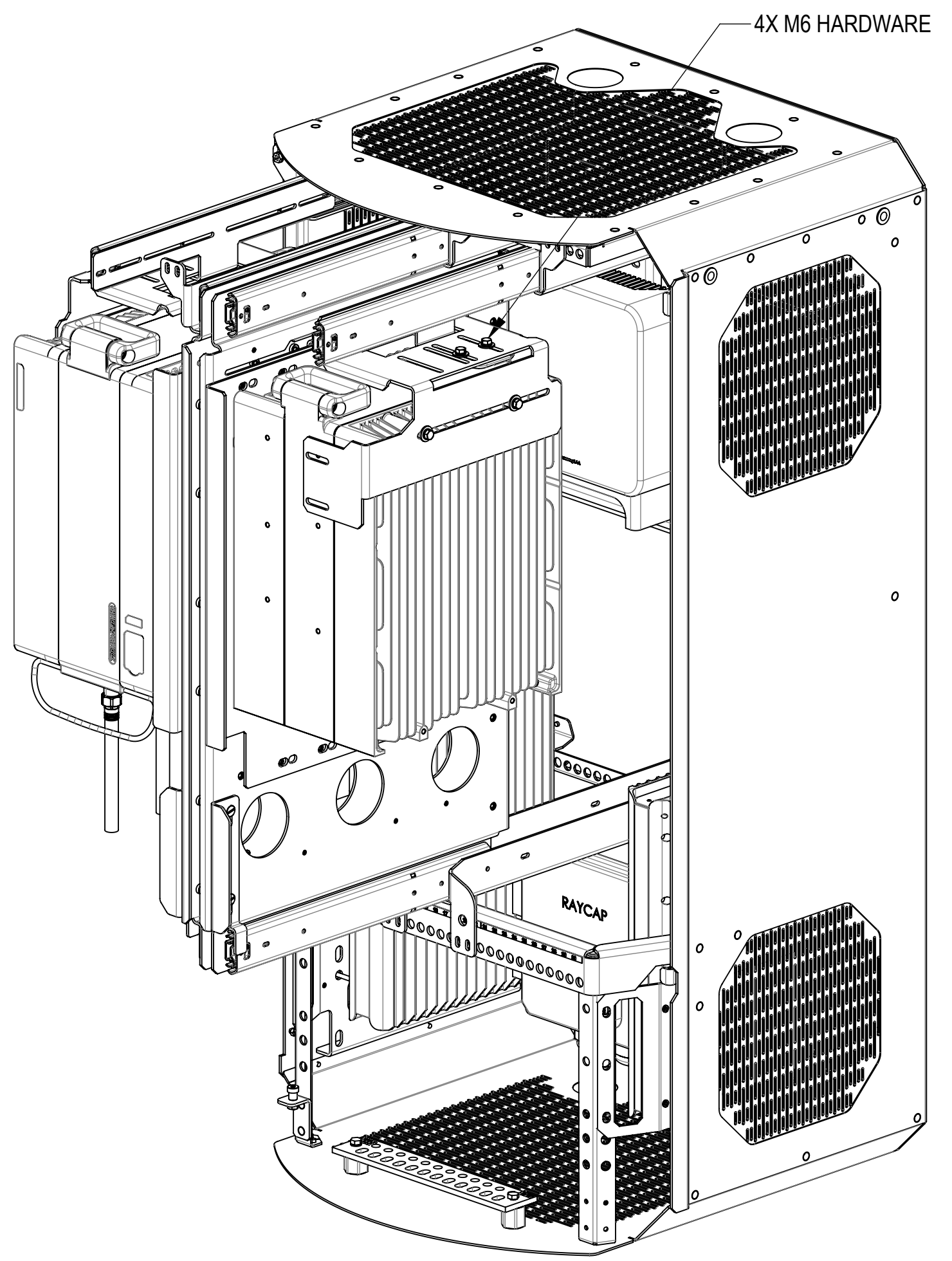
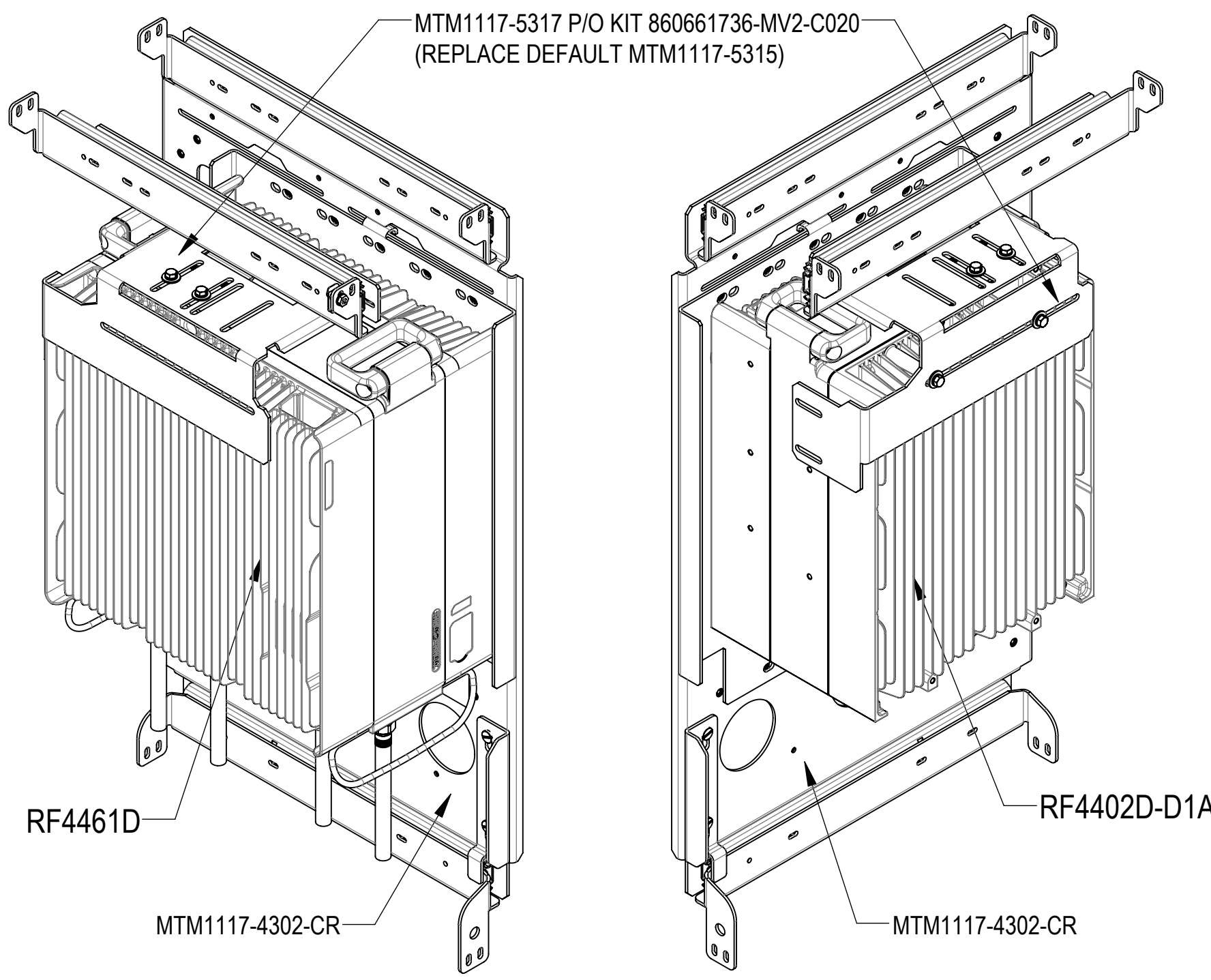
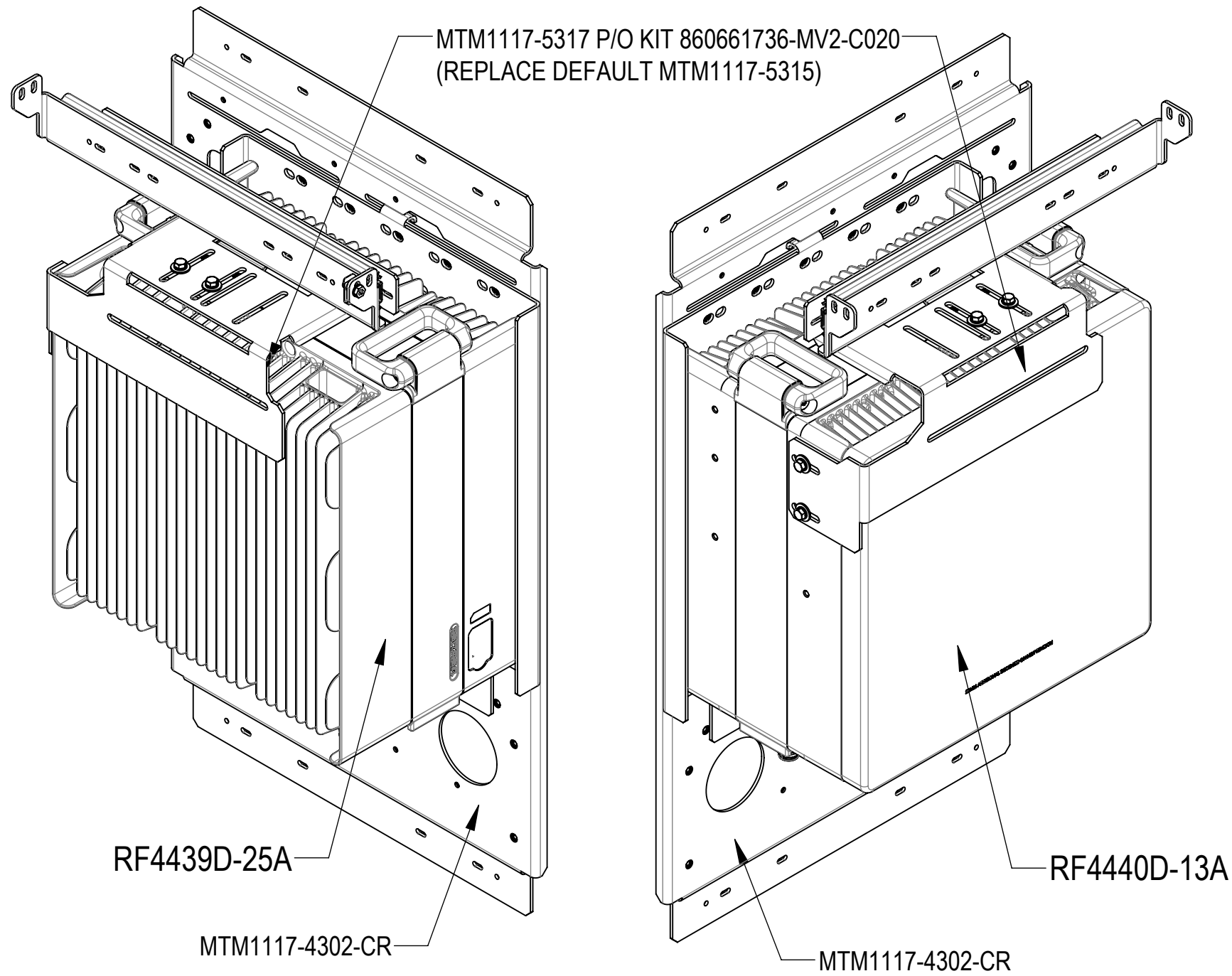
3

2

1

NOTES:

3RD RAIL ASSEMBLY FOR RADIO SUPPORT



RF4461D(LEFT) & RF4402D(RIGHT):
ONLY SHOWS CONFIGURATION S9.02, AS EXAMPLE (DOOR NOT SHOWN)

HANG RF4461D WITH BRACKET (LEFT) & RF4402D WITH BRACKET (RIGHT) ON SLIDING BLADE ASSEMBLY USING 4 SETS OF HEX BOLTS, LOCK AND FLAT WASHERS AS SHOWN

COMMSCOPE, INC. OF NORTH CAROLINA				
TITLE INSTALL INSTRUCTIONS,ORAN,MV2				
SIZE C	SCALE 1:12	DOCUMENT NO. 860661736-MV2-C020-INSTAL		
		DRAWING		SHEET
		VERSION	STATUS	REVISION
		02	RE	C
				7 OF 20

4

3

2

1

4

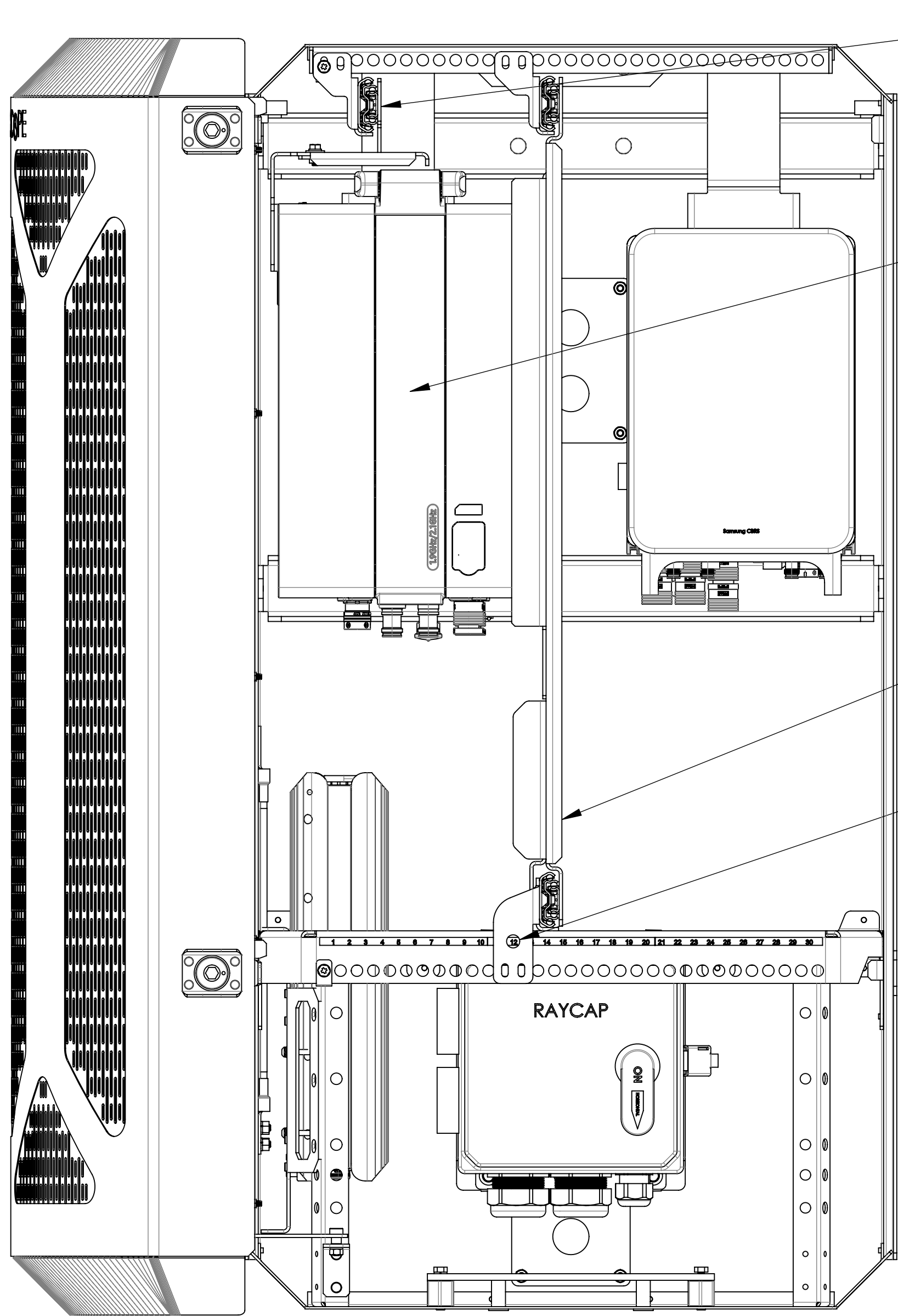
3

2

1

SAMSUNG - CONFIGURATION [S1]

EQUIPMENT TOTAL (QTY 6)	QTY	SLIDE PANEL MOUNTING LOCATION	BACK WALL EQUIPMENT	LOWER EQUIPMENT MOUNTING
SAMSUNG 320W PCS/AWS ORAN RU (RF4439D-25A)	1	12 - SLIDE MTM1117-4300 (LEFT FACING)		
DELTA 2.0kW RECTIFIER "ESR-4838A"	1			SEE SHEET 4
SAMSUNG LAA RT2201-46A	1		SEE SHEET 4	
SAMSUNG CBRS RT4401-48A OR RT4423-48A	1		SEE SHEET 4	
SDX1926Q-43	1			SEE SHEET 4
RAYCAP DISCONNECT	1			SEE SHEET 4



RRU 3RD RAIL SUPPORTING ASSEMBLY

SAMSUNG 320W PCS/AWS ORAN RU (RF4439D-25A)

REPLACE DEFAULT MTM1117-4301 WITH MTM1117-4302 (P/O KIT 860661736-MV2-C020)

12

RAYCAP

COMMSCOPE, INC. OF NORTH CAROLINA

TITLE
INSTALL INSTRUCTIONS,ORAN,MV2

SIZE C	SCALE 1:12	DOCUMENT NO. 860661736-MV2-C020-INSTAL
------------------	----------------------	---

DRAWING	VERSION	STATUS	REVISION	SHEET 8 OF 20
	02	RE	C	

4

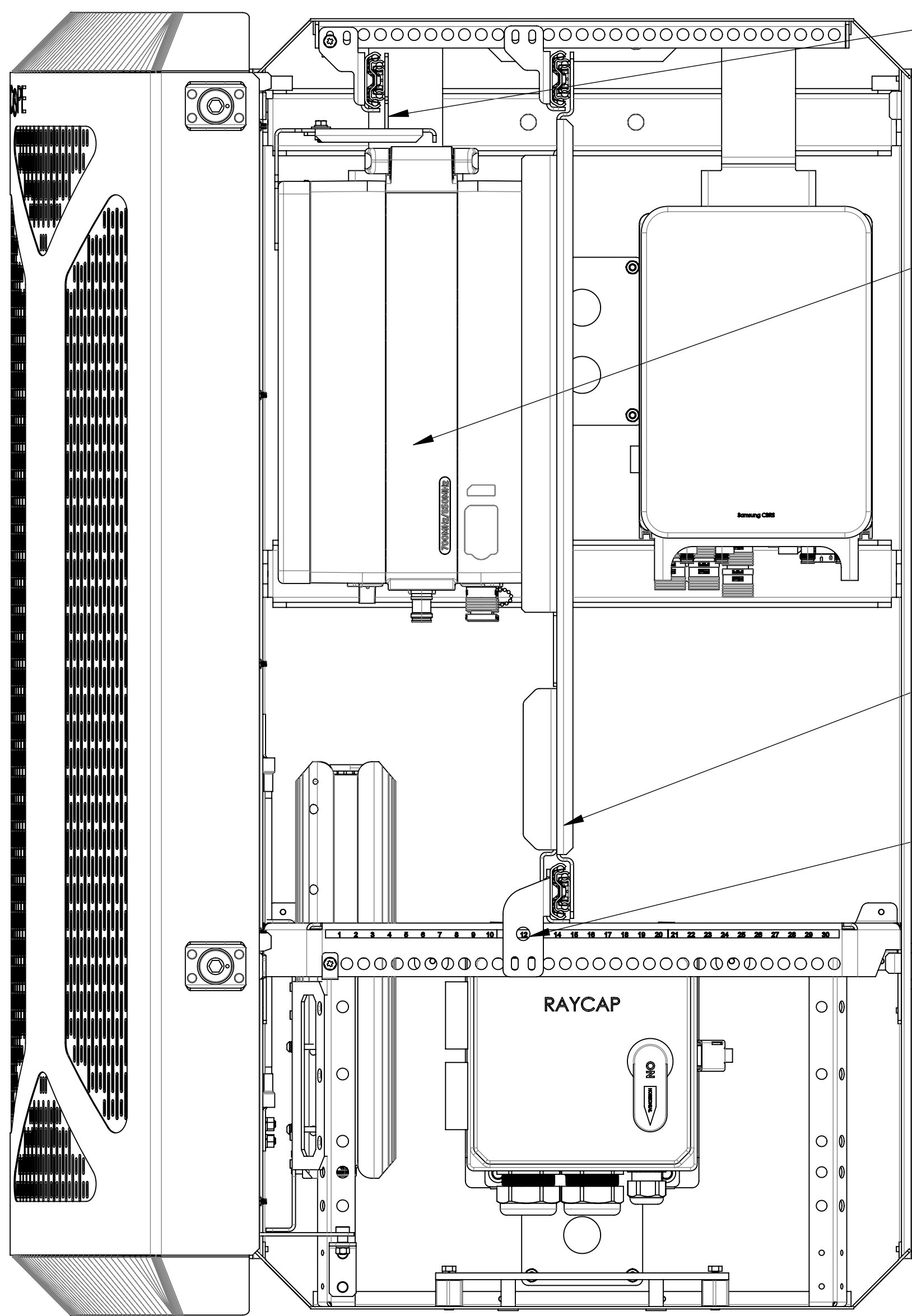
3

2

1

SAMSUNG - CONFIGURATION [S2]

EQUIPMENT TOTAL (QTY 6)	QTY	SLIDE PANEL MOUNTING LOCATION	BACK WALL EQUIPMENT	LOWER EQUIPMENT MOUNTING
SAMSUNG 320W 700/850 ORAN (RF4440D-13A)	1	12 - SLIDE MTM1117-4300 (LEFT FACING)		
DELTA 2.0KW RECTIFIER "ESR-4838A"	1			SEE SHEET 4
SAMSUNG LAA RT2201-46A	1		SEE SHEET 4	
SAMSUNG CBRS RT4401-48A OR RT4423-48A	1		SEE SHEET 4	
SDX1926Q-43	1			SEE SHEET 4
RAYCAP DISCONNECT	1			SEE SHEET 4



RRU 3RD RAIL SUPPORTING ASSEMBLY

SAMSUNG 320W 700/850 ORAN (RF4440D-13A)

REPLACE DEFAULT MTM1117-4301 WITH MTM1117-4302 (P/O KIT 860661736-MV2-C020)

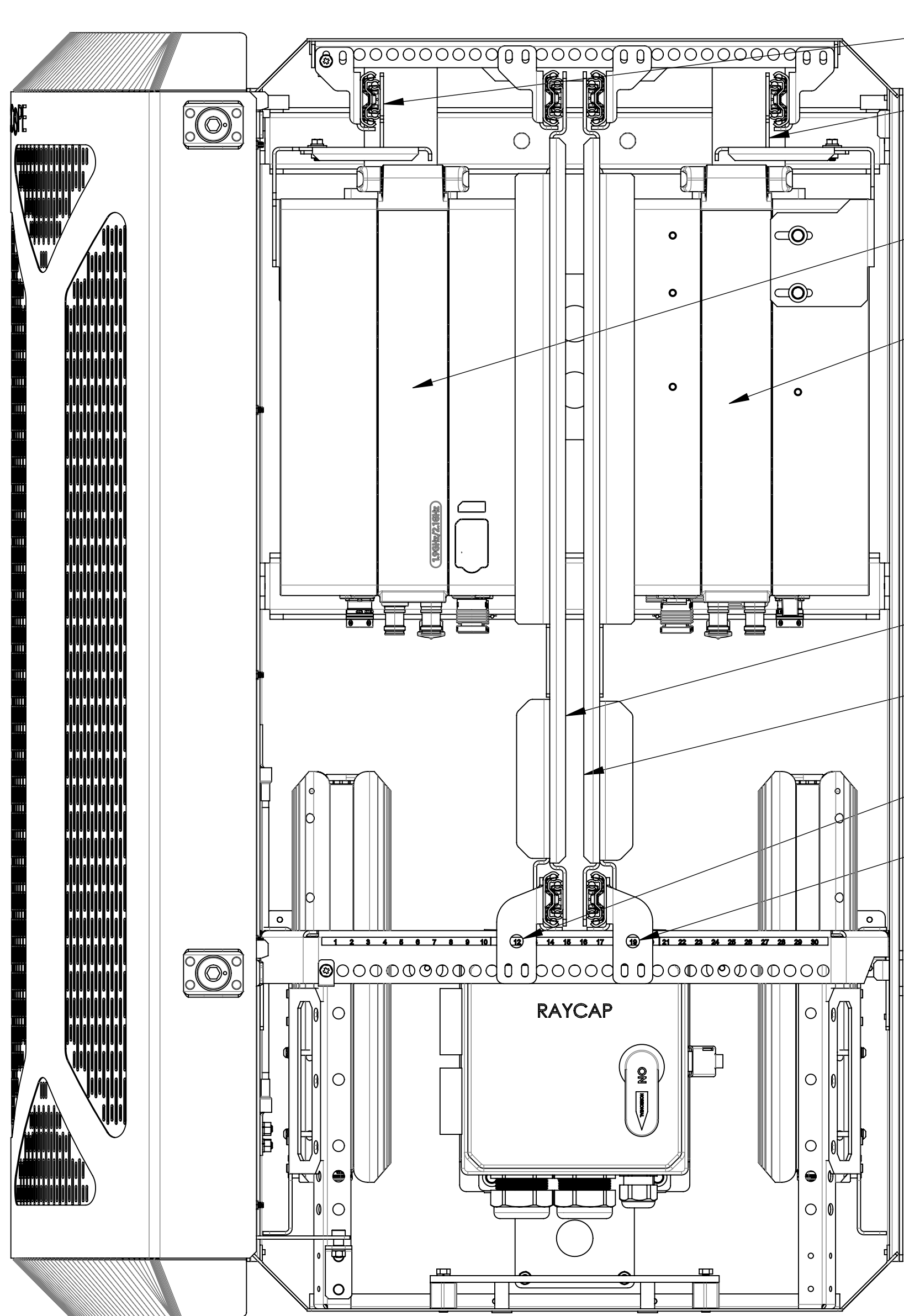
12

RAYCAP

COMMSCOPE, INC. OF NORTH CAROLINA				
TITLE INSTALL INSTRUCTIONS,ORAN,MV2				
SIZE C	SCALE 1:12	DOCUMENT NO. 860661736-MV2-C020-INSTAL		
		DRAWING		SHEET
		VERSION	STATUS	REVISION
		02	RE	C
				9 OF 20

SAMSUNG - CONFIGURATION [S3]

EQUIPMENT TOTAL (QTY 8)	QTY	SLIDE PANEL MOUNTING LOCATION	BACK WALL EQUIPMENT	LOWER EQUIPMENT MOUNTING
SAMSUNG 320W PCS/AWS ORAN RU (RF4439D-25A)	1	12 - SLIDE MTM1117-4300 (LEFT FACING)		
SAMSUNG 320W PCS/AWS ORAN RU (RF4439D-25A)	1	19 - SLIDE MTM1117-4400 (RIGHT FACING)		
DELTA 2.0kW RECTIFIER "ESR-4838A"	2			SEE SHEET 4
SAMSUNG LAA RT2201-46A	1		SEE SHEET 4	
SAMSUNG CBRS RT4401-48A OR RT4423-48A	1		SEE SHEET 4	
SDX1926Q-43	1			SEE SHEET 4
RAYCAP DISCONNECT	1			SEE SHEET 4



RRU 3RD RAIL SUPPORTING ASSEMBLY

RRU 3RD RAIL SUPPORTING ASSEMBLY

SAMSUNG 320W PCS/AWS ORAN RU (RF4439D-25A)

SAMSUNG 320W PCS/AWS ORAN RU (RF4439D-25A)

REPLACE DEFAULT MTM1117-4301
WITH MTM1117-4302 (P/O KIT 860661736-MV2-C020)

REPLACE DEFAULT MTM1117-4301
WITH MTM1117-4302 (P/O KIT 860661736-MV2-C020)

12

19

RAYCAP

COMMSCOPE, INC. OF NORTH CAROLINA				
TITLE INSTALL INSTRUCTIONS,ORAN,MV2				
SIZE C	SCALE 1:12	DOCUMENT NO. 860661736-MV2-C020-INSTAL		
DRAWING		REVISION		SHEET
VERSION 02	STATUS RE	REVISION C	10 OF 20	

4

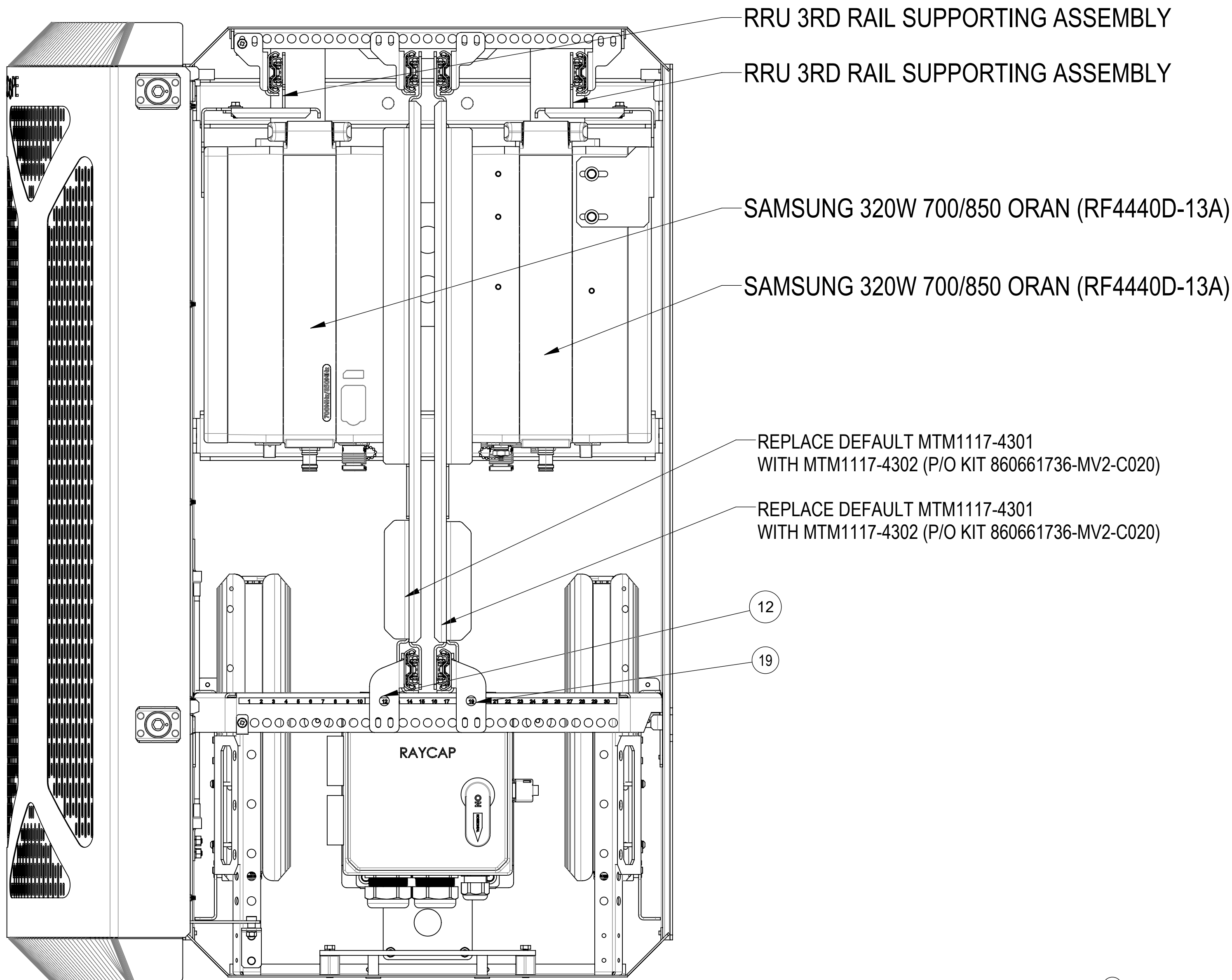
3

2

1

SAMSUNG - CONFIGURATION [S4]

EQUIPMENT TOTAL (QTY 8)	QTY	SLIDE PANEL MOUNTING LOCATION	BACK WALL EQUIPMENT	LOWER EQUIPMENT MOUNTING
SAMSUNG 320W 700/850 ORAN (RF4440D-13A)	1	12 - SLIDE MTM1117-4300 (LEFT FACING)		
SAMSUNG 320W 700/850 ORAN (RF4440D-13A)	1	19 - SLIDE MTM1117-4400 (RIGHT FACING)		
DELTA 2.0kW RECTIFIER "ESR-4838A"	2			SEE SHEET 4
SAMSUNG LAA RT2201-46A	1		SEE SHEET 4	
SAMSUNG CBRS RT4401-48A OR RT4423-48A	1		SEE SHEET 4	
SDX1926Q-43	1			SEE SHEET 4
RAYCAP DISCONNECT	1			SEE SHEET 4



COMMSCOPE, INC. OF NORTH CAROLINA			
TITLE INSTALL INSTRUCTIONS,ORAN,MV2			
SIZE C	SCALE 1:12	DOCUMENT NO. 860661736-MV2-C020-INSTAL	
DRAWING			SHEET
VERSION 02	STATUS RE	REVISION C	11 OF 20

4

3

2

1

SAMSUNG - CONFIGURATION [S5]

EQUIPMENT TOTAL (QTY 6)	QTY	SLIDE PANEL MOUNTING LOCATION	BACK WALL EQUIPMENT	LOWER EQUIPMENT MOUNTING
SAMSUNG 160W DUAL-BAND (RF4402D-D1A)	1	12 - SLIDE MTM1117-4300 (LEFT FACING)		
DELTA 2.0kW RECTIFIER "ESR-4838A"	1			SEE SHEET 4
SAMSUNG LAA RT2201-46A	1		SEE SHEET 4	
SAMSUNG CBRS RT4401-48A OR RT4423-48A	1		SEE SHEET 4	
SDX1926Q-43	1			SEE SHEET 4
RAYCAP DISCONNECT	1			SEE SHEET 4

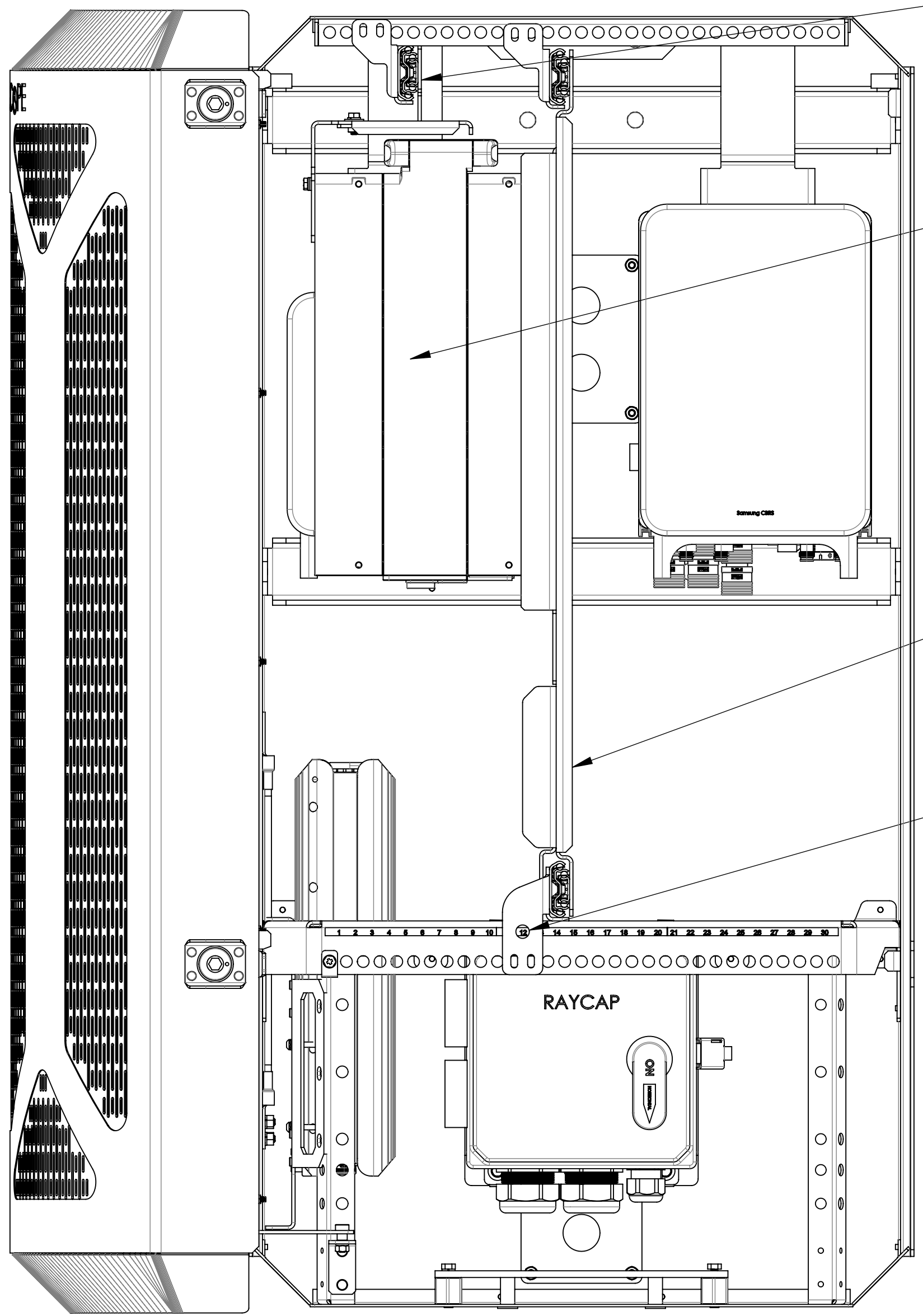
RRU 3RD RAIL SUPPORTING ASSEMBLY

SAMSUNG 160W DUAL-BAND (RF4402D-D1A)

REPLACE DEFAULT MTM1117-4301 WITH MTM1117-4302 (P/O KIT 860661736-MV2-C020)

12

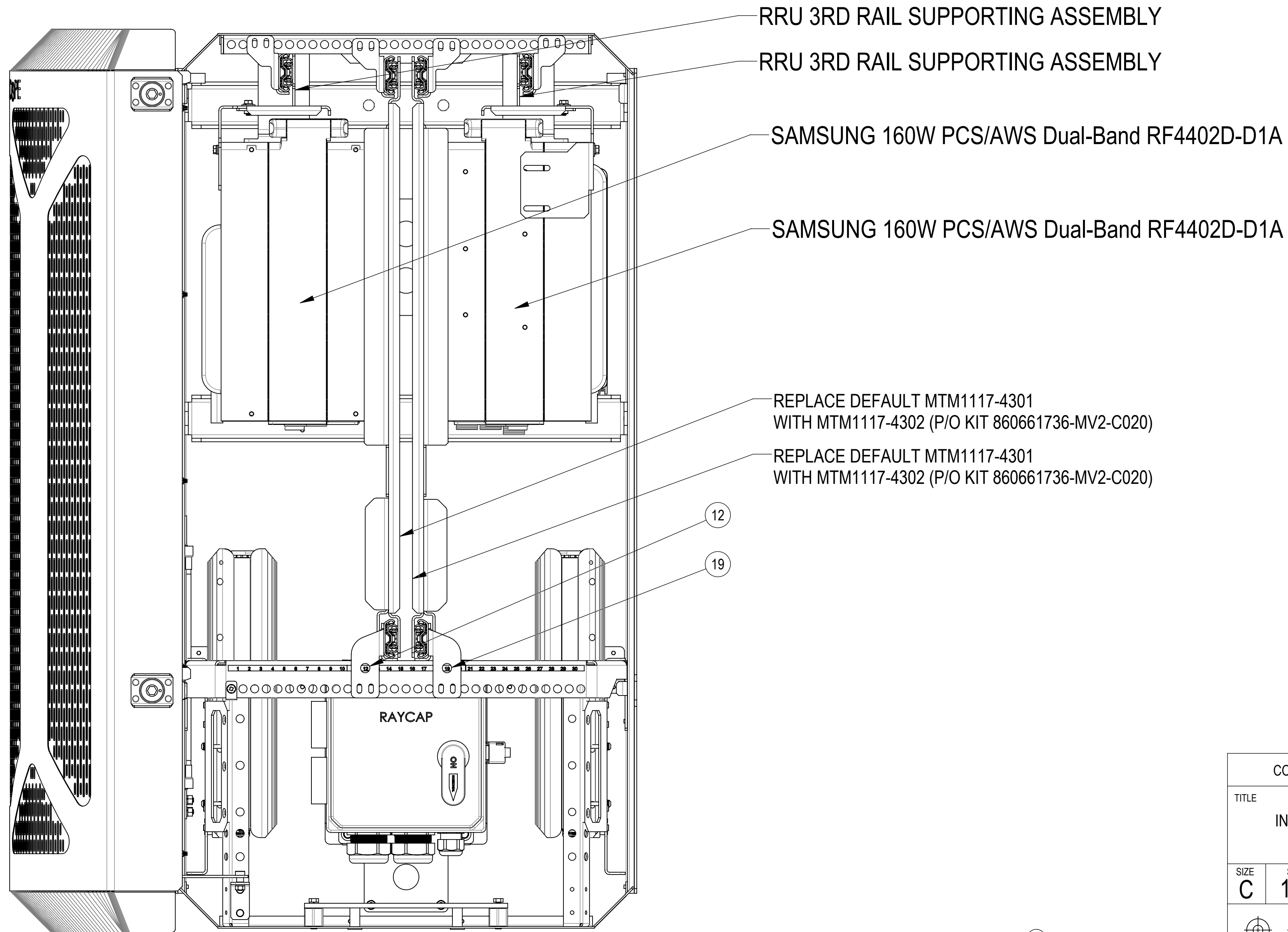
RAYCAP



COMMSCOPE, INC. OF NORTH CAROLINA				
TITLE INSTALL INSTRUCTIONS, ORAN, MV2				
SIZE C	SCALE 1:12	DOCUMENT NO. 860661736-MV2-C020-INSTAL		
DRAWING		REVISION		SHEET
VERSION 02	STATUS RE	REVISION C	12 OF 20	

SAMSUNG - CONFIGURATION [S6]

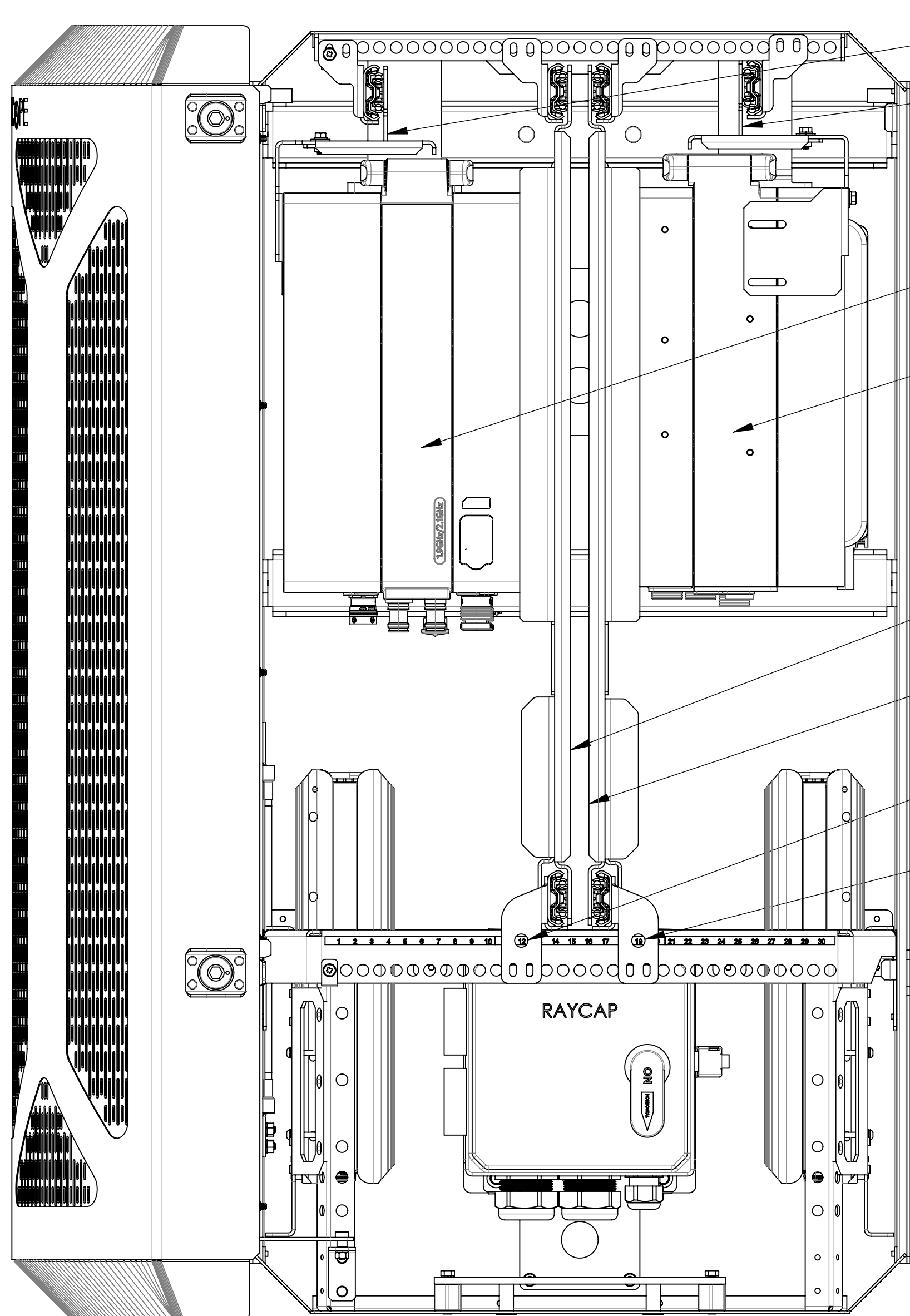
EQUIPMENT TOTAL (QTY 8)	QTY	SLIDE PANEL MOUNTING LOCATION	BACK WALL EQUIPMENT	LOWER EQUIPMENT MOUNTING
SAMSUNG 160W PCS/AWS Dual-Band RF4402D-D1A	1	12 - SLIDE MTM1117-4300 (LEFT FACING)		
SAMSUNG 160W PCS/AWS Dual-Band RF4402D-D1A	1	19 - SLIDE MTM1117-4400 (RIGHT FACING)		
DELTA 2.0kW RECTIFIER "ESR-4838A"	2			SEE SHEET 4
SAMSUNG LAA RT2201-46A	1		SEE SHEET 4	
SAMSUNG CBRS RT4401-48A OR RT4423-48A	1		SEE SHEET 4	
SDX1926Q-43	1			SEE SHEET 4
RAYCAP	1			SEE SHEET 4



COMMSCOPE, INC. OF NORTH CAROLINA			
TITLE INSTALL INSTRUCTIONS, ORAN, MV2			
SIZE C	SCALE 1:12	DOCUMENT NO. 860661736-MV2-C020-INSTAL	
DRAWING			SHEET
VERSION 02	STATUS RE	REVISION C	13 OF 20

SAMSUNG - CONFIGURATION [S7]

EQUIPMENT TOTAL (QTY 8)	QTY	SLIDE PANEL MOUNTING LOCATION	BACK WALL EQUIPMENT	LOWER EQUIPMENT MOUNTING
SAMSUNG 320W PCS/AWS ORAN RU (RF4439D-25A)	1	12 - SLIDE MTM1117-4300 (LEFT FACING)		
SAMSUNG 160W DUAL-BAND (RF4402D-D1A)	1	19 - SLIDE MTM1117-4400 (RIGHT FACING)		
DELTA 2.0kW RECTIFIER "ESR-4838A"	2			SEE SHEET 4
SAMSUNG LAA RT2201-46A	1		SEE SHEET 4	
SAMSUNG CBRS RT4401-48A OR RT4423-48A	1		SEE SHEET 4	
SDX1926Q-43	1			SEE SHEET 4
RAYCAP DISCONNECT	1			SEE SHEET 4

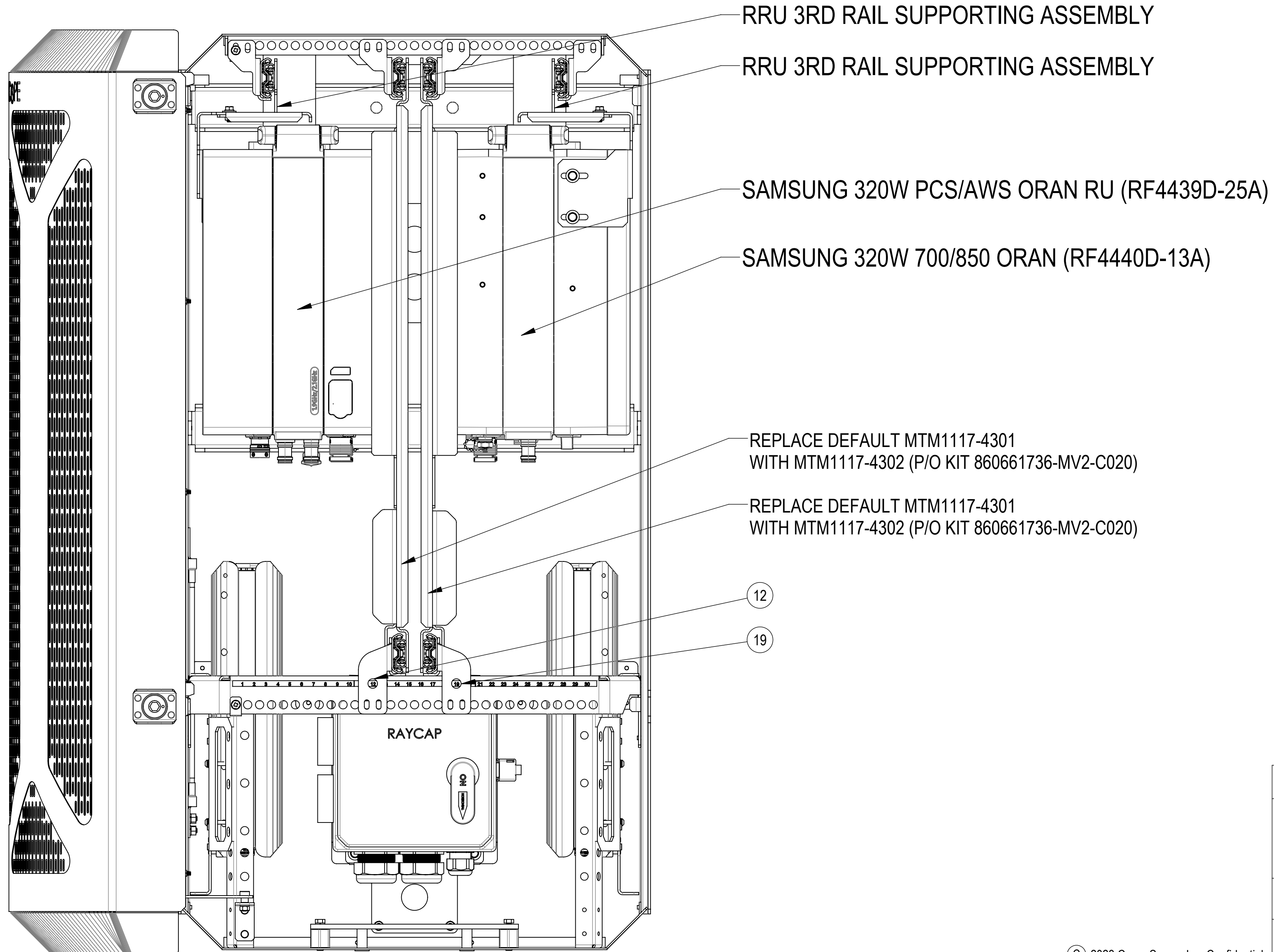


- RRU 3RD RAIL SUPPORTING ASSEMBLY
- RRU 3RD RAIL SUPPORTING ASSEMBLY
- SAMSUNG 320W PCS/AWS ORAN RU (RF4439D-25A)
- SAMSUNG 160W DUAL-BAND (RF4402D-D1A)
- REPLACE DEFAULT MTM1117-4301 WITH MTM1117-4302 (P/O KIT 860661736-MV2-C020)
- REPLACE DEFAULT MTM1117-4301 WITH MTM1117-4302 (P/O KIT 860661736-MV2-C020)
- 12
- 19

COMMSCOPE, INC. OF NORTH CAROLINA				
TITLE INSTALL INSTRUCTIONS,ORAN,MV2				
SIZE C	SCALE 1:12	DOCUMENT NO. 860661736-MV2-C020-INSTAL		
DRAWING		REVISION		SHEET
VERSION 02	STATUS RE	REVISION C	14 OF 20	

SAMSUNG - CONFIGURATION [S8]

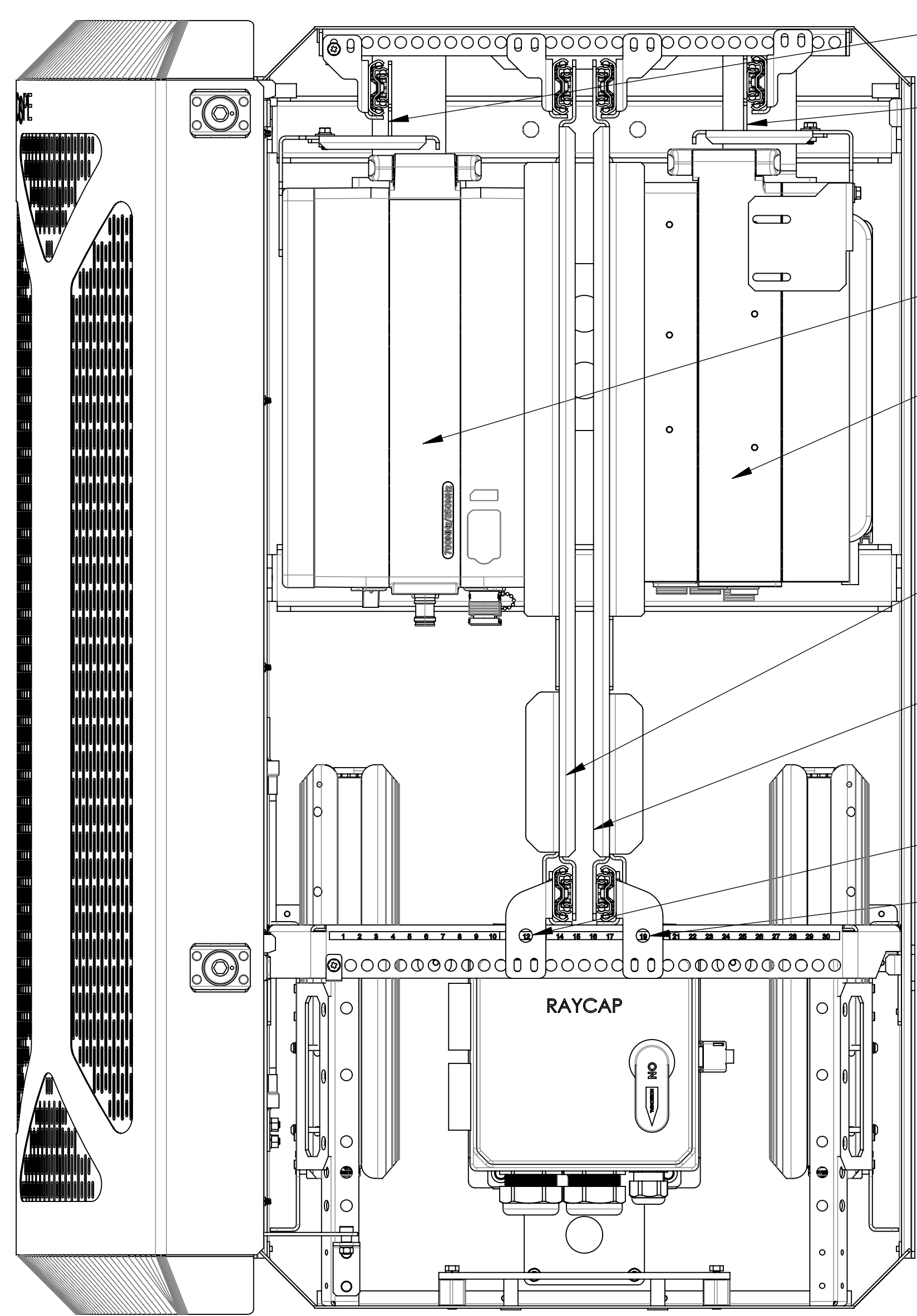
EQUIPMENT TOTAL (QTY 8)	QTY	SLIDE PANEL MOUNTING LOCATION	BACK WALL EQUIPMENT	LOWER EQUIPMENT MOUNTING
SAMSUNG 320W PCS/AWS ORAN RU (RF4439D-25A)	1	12 - SLIDE MTM1117-4300 (LEFT FACING)		
SAMSUNG 320W 700/850 ORAN (RF4440D-13A)	1	19 - SLIDE MTM1117-4400 (RIGHT FACING)		
DELTA 2.0kW RECTIFIER "ESR-4838A"	2			SEE SHEET 4
SAMSUNG LAA RT2201-46A	1		SEE SHEET 4	
SAMSUNG CBRS RT4401-48A OR RT4423-48A	1		SEE SHEET 4	
SDX1926Q-43	1			SEE SHEET 4
RAYCAP DISCONNECT	1			SEE SHEET 4



COMMSCOPE, INC. OF NORTH CAROLINA			
TITLE INSTALL INSTRUCTIONS,ORAN,MV2			
SIZE C	SCALE 1:12	DOCUMENT NO. 860661736-MV2-C020-INSTAL	
DRAWING			SHEET
VERSION 02	STATUS RE	REVISION C	15 OF 20

SAMSUNG - CONFIGURATION [S9]

EQUIPMENT TOTAL (QTY 8)	QTY	SLIDE PANEL MOUNTING LOCATION	BACK WALL EQUIPMENT	LOWER EQUIPMENT MOUNTING
SAMSUNG 320W 700/850 ORAN (RF4440D-13A)	1	12 - SLIDE MTM1117-4300 (LEFT FACING)		
SAMSUNG 160W DUAL-BAND (RF4402D-D1A)	1	19 - SLIDE MTM1117-4400 (RIGHT FACING)		
DELTA 2.0kW RECTIFIER "ESR-4838A"	2			SEE SHEET 4
SAMSUNG LAA RT2201-46A	1		SEE SHEET 4	
SAMSUNG CBRS RT4401-48A OR RT4423-48A	1		SEE SHEET 4	
SDX1926Q-43	1			SEE SHEET 4
RAYCAP DISCONNECT	1			SEE SHEET 4



RRU 3RD RAIL SUPPORTING ASSEMBLY

RRU 3RD RAIL SUPPORTING ASSEMBLY

SAMSUNG 320W 700/850 ORAN (RF4440D-13A)

SAMSUNG 160W DUAL-BAND (RF4402D-D1A)

REPLACE DEFAULT MTM1117-4301 WITH MTM1117-4302 (P/O KIT 860661736-MV2-C020)

REPLACE DEFAULT MTM1117-4301 WITH MTM1117-4302 (P/O KIT 860661736-MV2-C020)

12

19

RAYCAP

COMMSCOPE, INC. OF NORTH CAROLINA				
TITLE INSTALL INSTRUCTIONS,ORAN,MV2				
SIZE C	SCALE 1:12	DOCUMENT NO. 860661736-MV2-C020-INSTAL		
		DRAWING		SHEET
		VERSION	STATUS	REVISION
		02	RE	C
				16 OF 20

4

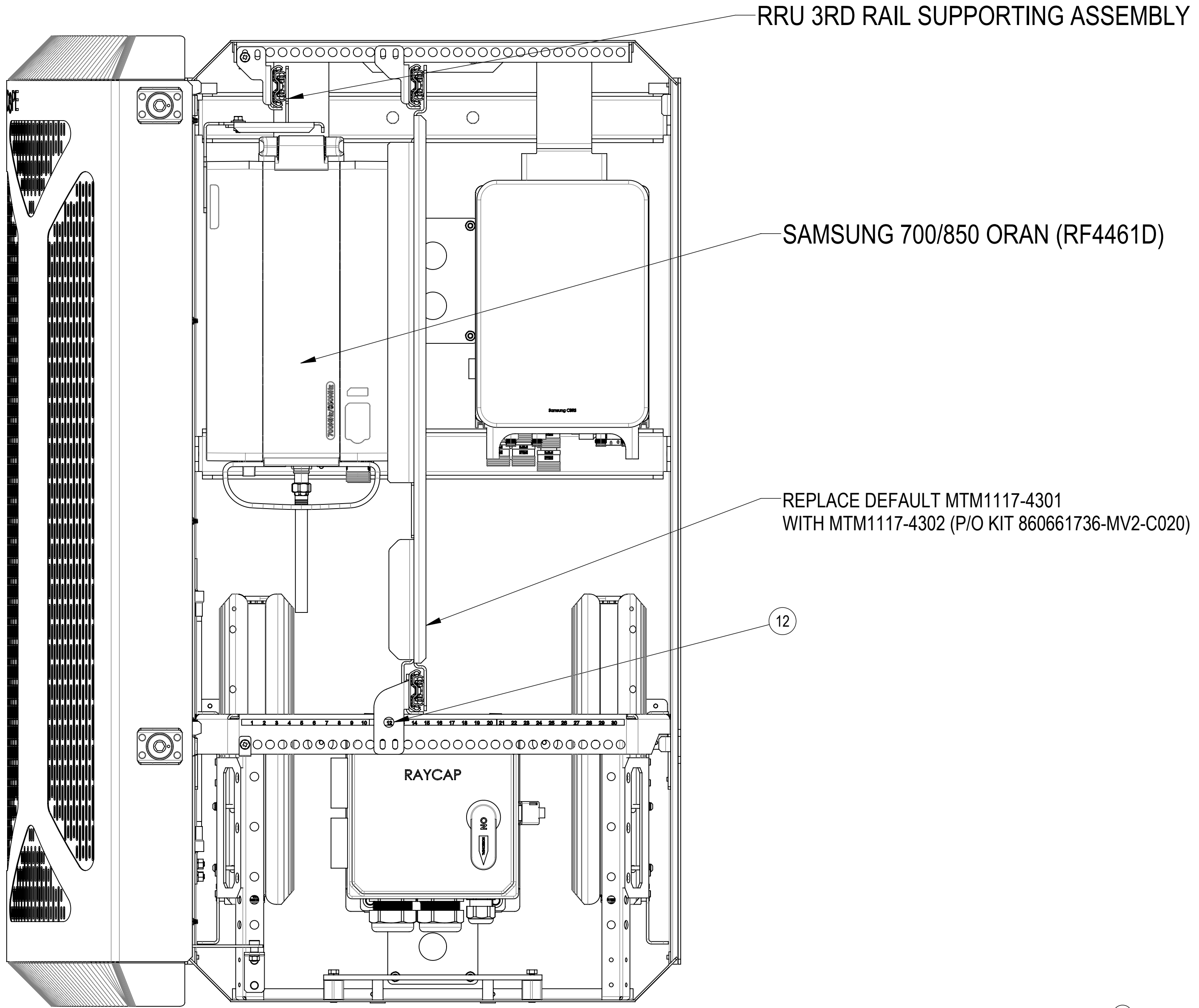
3

2

1

SAMSUNG - CONFIGURATION [S2.02]

EQUIPMENT TOTAL (QTY 7)	QTY	SLIDE PANEL MOUNTING LOCATION	BACK WALL EQUIPMENT	LOWER EQUIPMENT MOUNTING
SAMSUNG 700/850 ORAN (RF4461D)	1	12 - SLIDE MTM1117-4300 (LEFT FACING)		
DELTA 2.0kW RECTIFIER "ESR-4838A"	2			SEE SHEET 4
SAMSUNG LAA RT2201-46A	1		SEE SHEET 4	
SAMSUNG CBRS RT4401-48A OR RT4423-48A	1		SEE SHEET 4	
SDX1926Q-43	1			SEE SHEET 4
RAYCAP DISCONNECT	1			SEE SHEET 4



COMMSCOPE, INC. OF NORTH CAROLINA				
TITLE INSTALL INSTRUCTIONS,ORAN,MV2				
SIZE C	SCALE 1:12	DOCUMENT NO. 860661736-MV2-C020-INSTAL		
		DRAWING		SHEET
		VERSION 02	STATUS RE	REVISION C
				17 OF 20

4

3

2

1

4

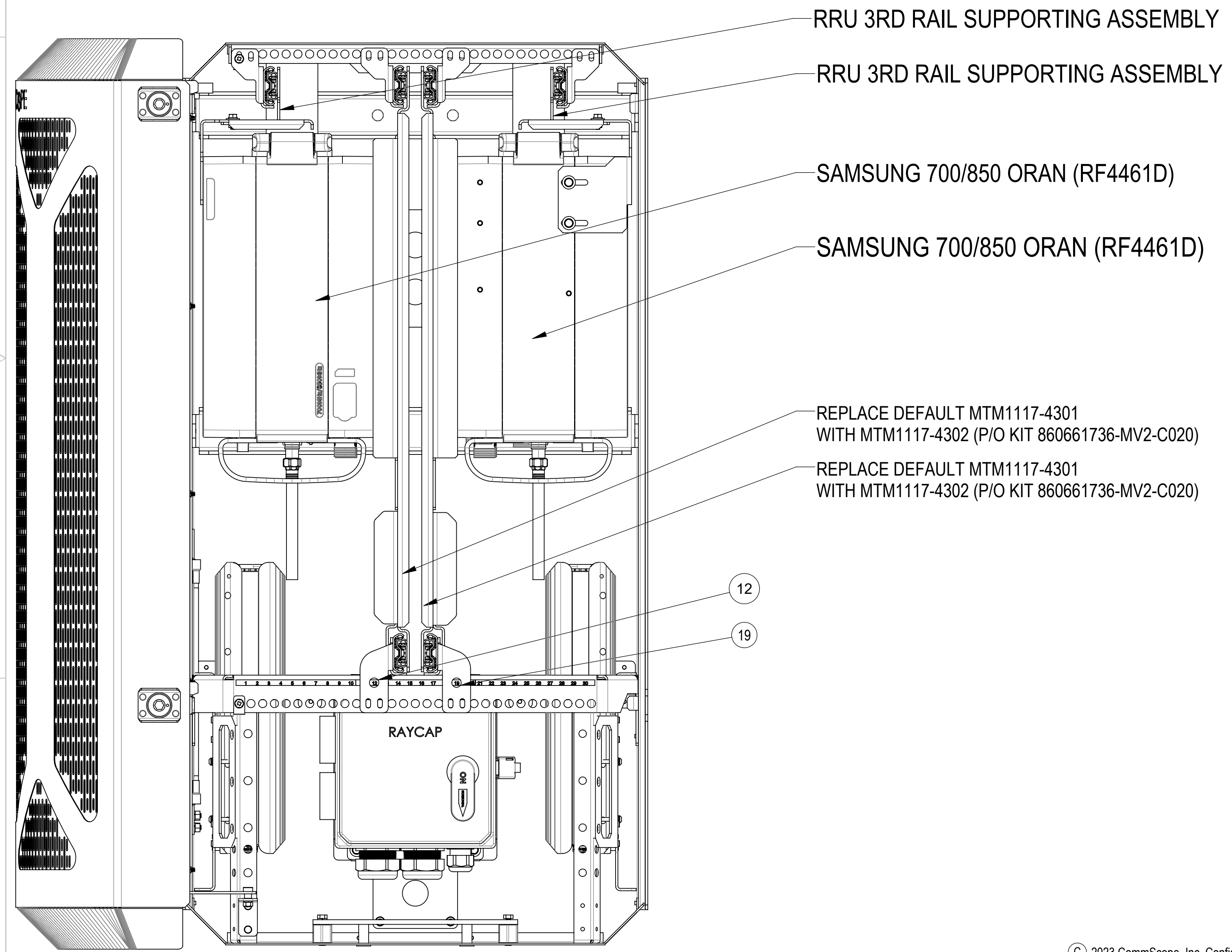
3

2

1

SAMSUNG - CONFIGURATION [S4.02]

EQUIPMENT TOTAL (QTY 8)	QTY	SLIDE PANEL MOUNTING LOCATION	BACK WALL EQUIPMENT	LOWER EQUIPMENT MOUNTING
SAMSUNG 700/850 ORAN (RF4461D)	1	12 - SLIDE MTM1117-4300 (LEFT FACING)		
SAMSUNG 700/850 ORAN (RF4461D)	1	19 - SLIDE MTM1117-4400 (RIGHT FACING)		
DELTA 2.0KW RECTIFIER "ESR-4838A"	2			SEE SHEET 4
SAMSUNG LAA RT2201-46A	1		SEE SHEET 4	
SAMSUNG CBRS RT4401-48A OR RT4423-48A	1		SEE SHEET 4	
SDX1926Q-43	1			SEE SHEET 4
RAYCAP DISCONNECT	1			SEE SHEET 4



COMMSCOPE, INC. OF NORTH CAROLINA			
TITLE INSTALL INSTRUCTIONS,ORAN,MV2			
SIZE C	SCALE 1:12	DOCUMENT NO. 860661736-MV2-C020-INSTAL	
DRAWING			SHEET
VERSION 02	STATUS RE	REVISION C	18 OF 20

4

3

2

1

4

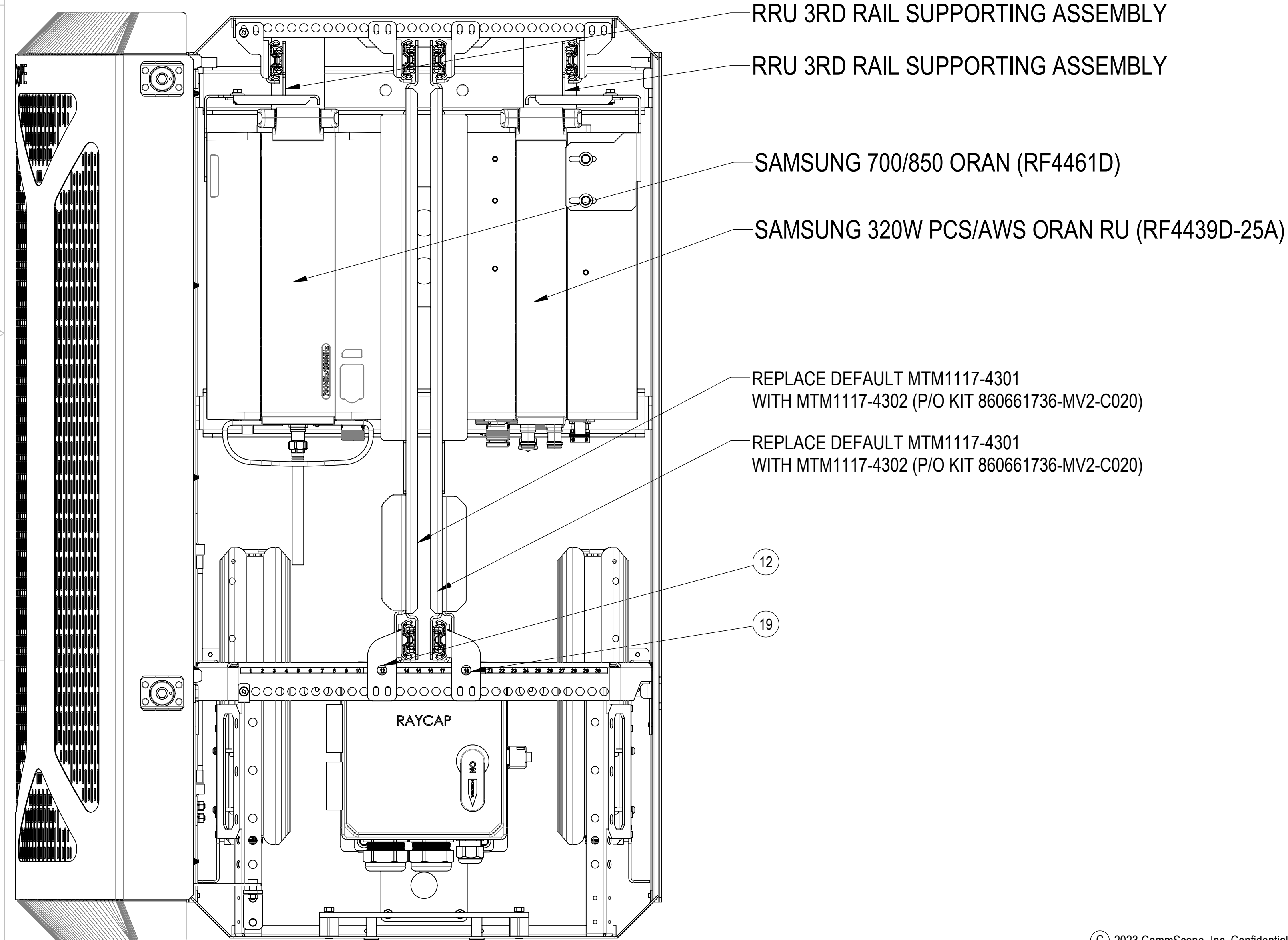
3

2

1

SAMSUNG - CONFIGURATION [S8.02]

EQUIPMENT TOTAL (QTY 8)	QTY	SLIDE PANEL MOUNTING LOCATION	BACK WALL EQUIPMENT	LOWER EQUIPMENT MOUNTING
SAMSUNG 700/850 ORAN (RF4461D)	1	12 - SLIDE MTM1117-4300 (LEFT FACING)		
SAMSUNG 320W PCS/AWS ORAN RU (RF4439D-25A)	1	19 - SLIDE MTM1117-4400 (RIGHT FACING)		
DELTA 2.0KW RECTIFIER "ESR-4838A"	2			SEE SHEET 4
SAMSUNG LAA RT2201-46A	1		SEE SHEET 4	
SAMSUNG CBRS RT4401-48A OR RT4423-48A	1		SEE SHEET 4	
SDX1926Q-43	1			SEE SHEET 4
RAYCAP DISCONNECT	1			SEE SHEET 4



COMMSCOPE, INC. OF NORTH CAROLINA			
TITLE INSTALL INSTRUCTIONS,ORAN,MV2			
SIZE C	SCALE 1:12	DOCUMENT NO. 860661736-MV2-C020-INSTAL	
DRAWING			SHEET
VERSION 02	STATUS RE	REVISION C	19 OF 20

4

3

2

1

4

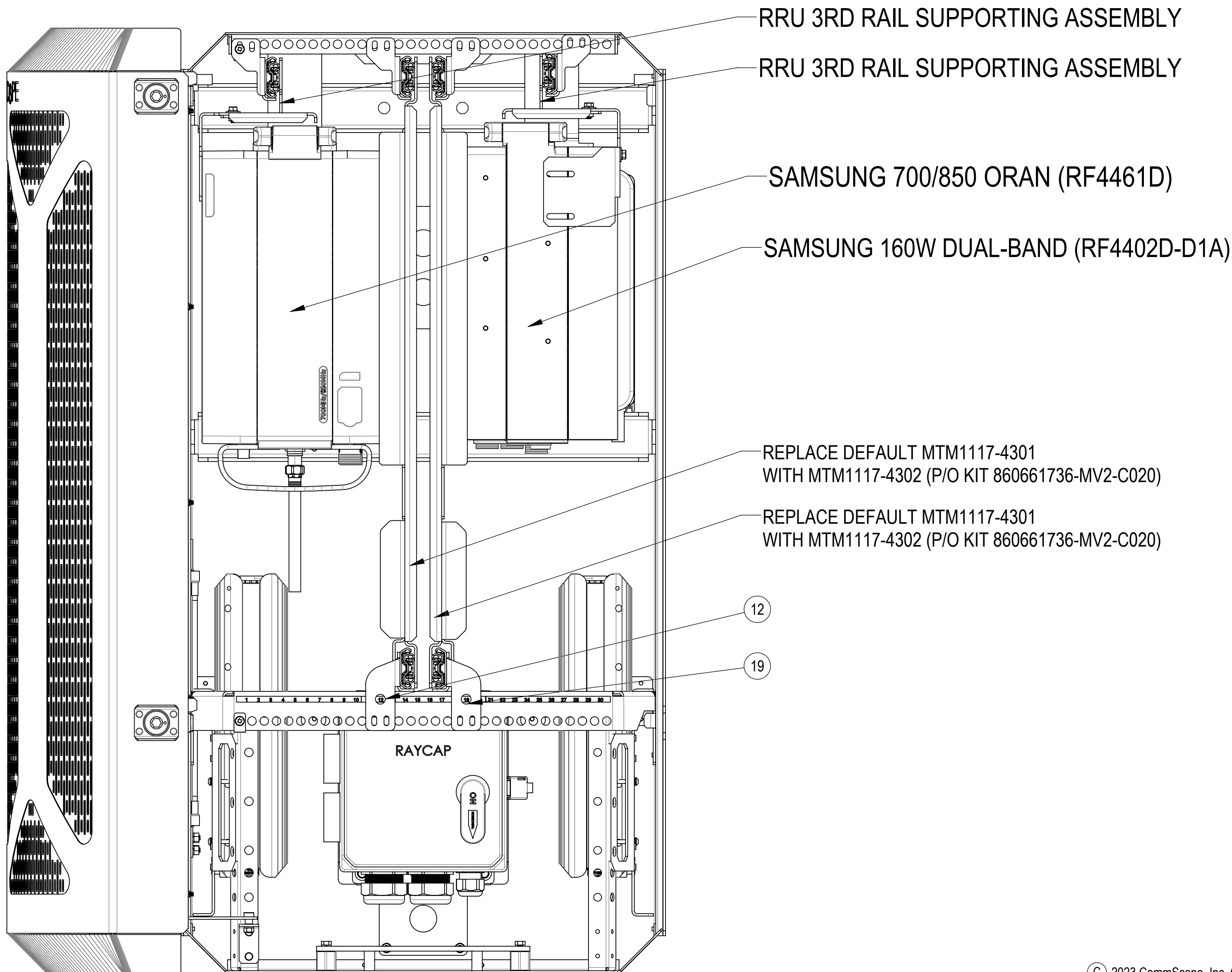
3

2

1

SAMSUNG - CONFIGURATION [S9.02]

EQUIPMENT TOTAL (QTY 8)	QTY	SLIDE PANEL MOUNTING LOCATION	BACK WALL EQUIPMENT	LOWER EQUIPMENT MOUNTING
SAMSUNG 700/850 ORAN (RF4461D)	1	12 - SLIDE MTM1117-4300 (LEFT FACING)		
SAMSUNG 160W DUAL-BAND (RF4402D-D1A)	1	19 - SLIDE MTM1117-4400 (RIGHT FACING)		
DELTA 2.0KW RECTIFIER "ESR-4838A"	2			SEE SHEET 4
SAMSUNG LAA RT2201-46A	1		SEE SHEET 4	
SAMSUNG CBRS RT4401-48A OR RT4423-48A	1		SEE SHEET 4	
SDX1926Q-43	1			SEE SHEET 4
RAYCAP DISCONNECT	1			SEE SHEET 4



COMMSCOPE, INC. OF NORTH CAROLINA				
TITLE INSTALL INSTRUCTIONS,ORAN,MV2				
SIZE C	SCALE 1:12	DOCUMENT NO. 860661736-MV2-C020-INSTAL		
DRAWING		VERSION	STATUS	REVISION
		02	RE	C
				SHEET 20 OF 20

4

3

2

1