

4

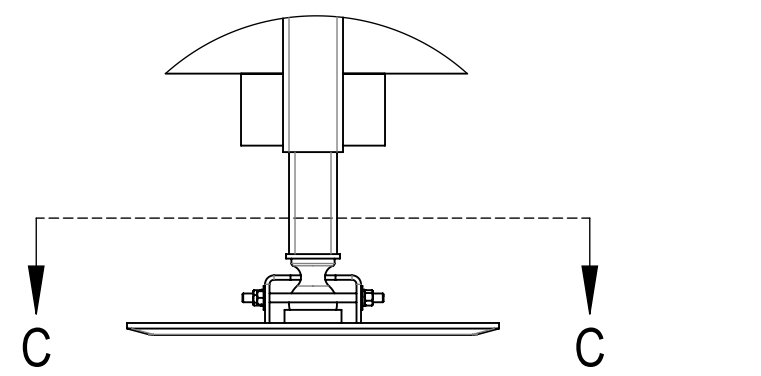
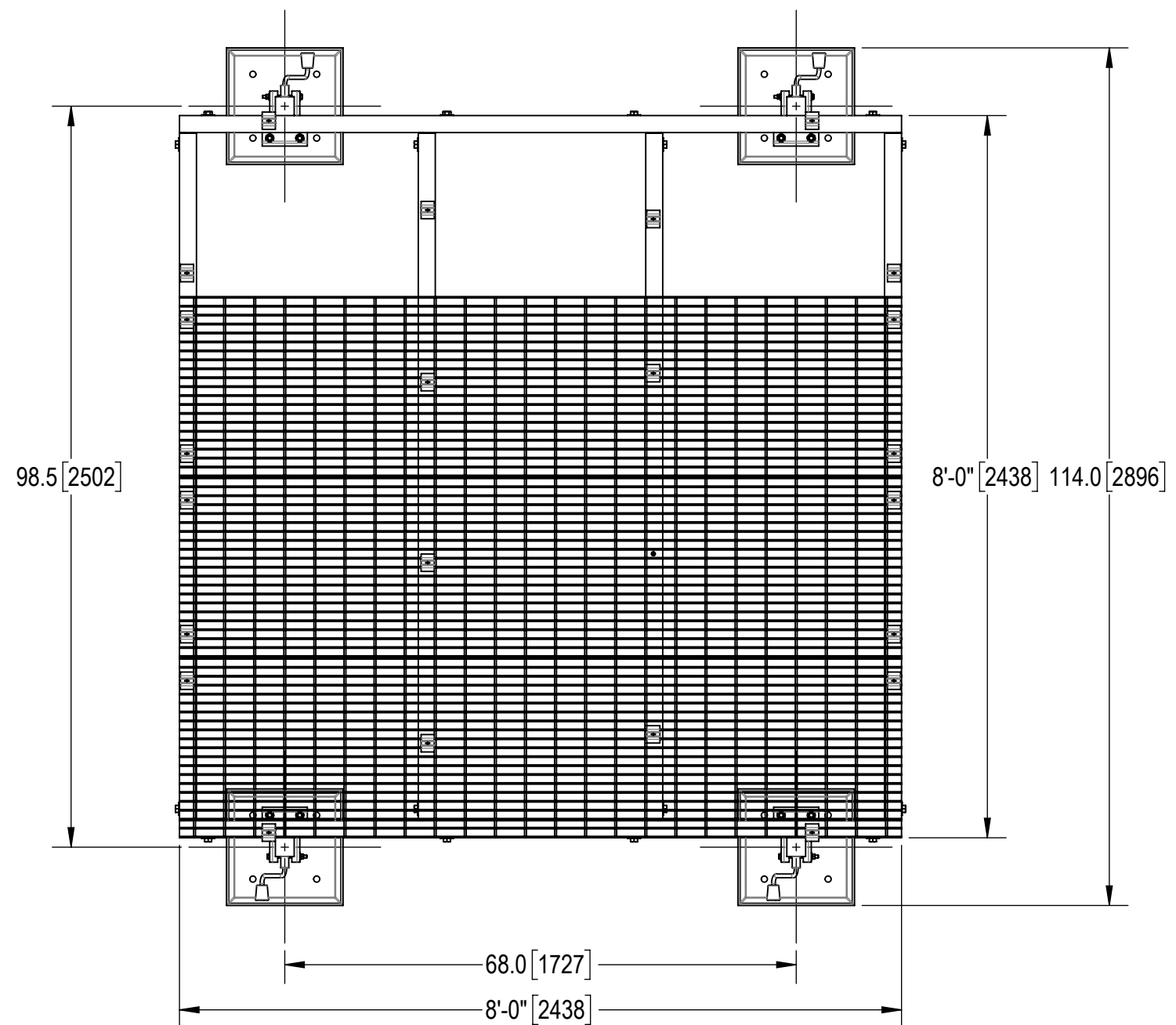
3

2

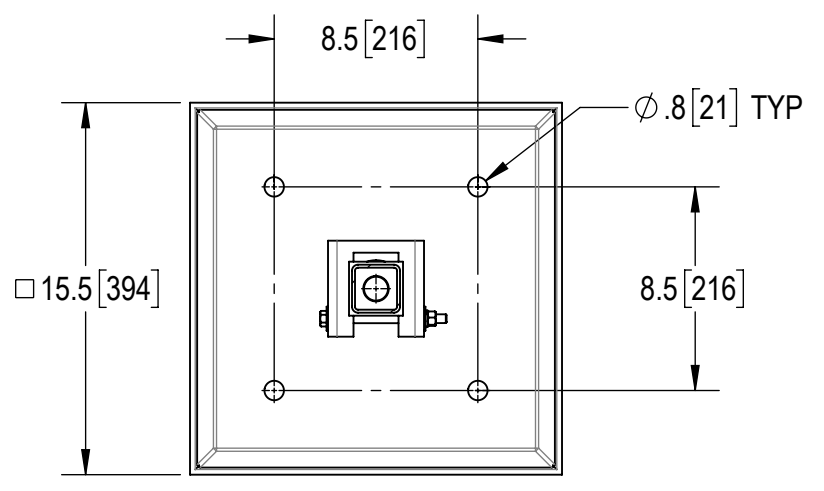
1

- 1.0 GENERAL NOTES
 1.1 ALL METRIC DIMENSIONS ARE IN BRACKETS [X. X]
 1.2 FOR PATENT INFO: <https://www.cs-pat.com>
 2.0 DESIGN NOTES
 3.0 MANUFACTURING/SPECIAL REQUIREMENTS
 3.1 TIGHTEN ALL BOLTS SECURING FLAT PLATES BY THE TURN-OF-NUT METHOD. TIGHTEN ALL U-BOLTS USING TURN-OF-NUT METHOD WITH ATTENTION TO LEAVE EQUAL DISTANCE AND EQUAL FORCE ON EACH LEG OF THE U-BOLT.
 4.0 TEST
 5.0 PACKAGING
 5.1 PACKAGING SHALL MEET COMMSCOPE REQUIREMENTS PER DOCUMENT IS-PL-3005
 5.2 PRINTED DOCUMENT TO BE PLACED INSIDE POLYBAG AND THEN IN SHIPPING CONTAINER
 5.3 EXTRA HARDWARE MAY BE SUPPLIED, BAGGED AND SHIPPED

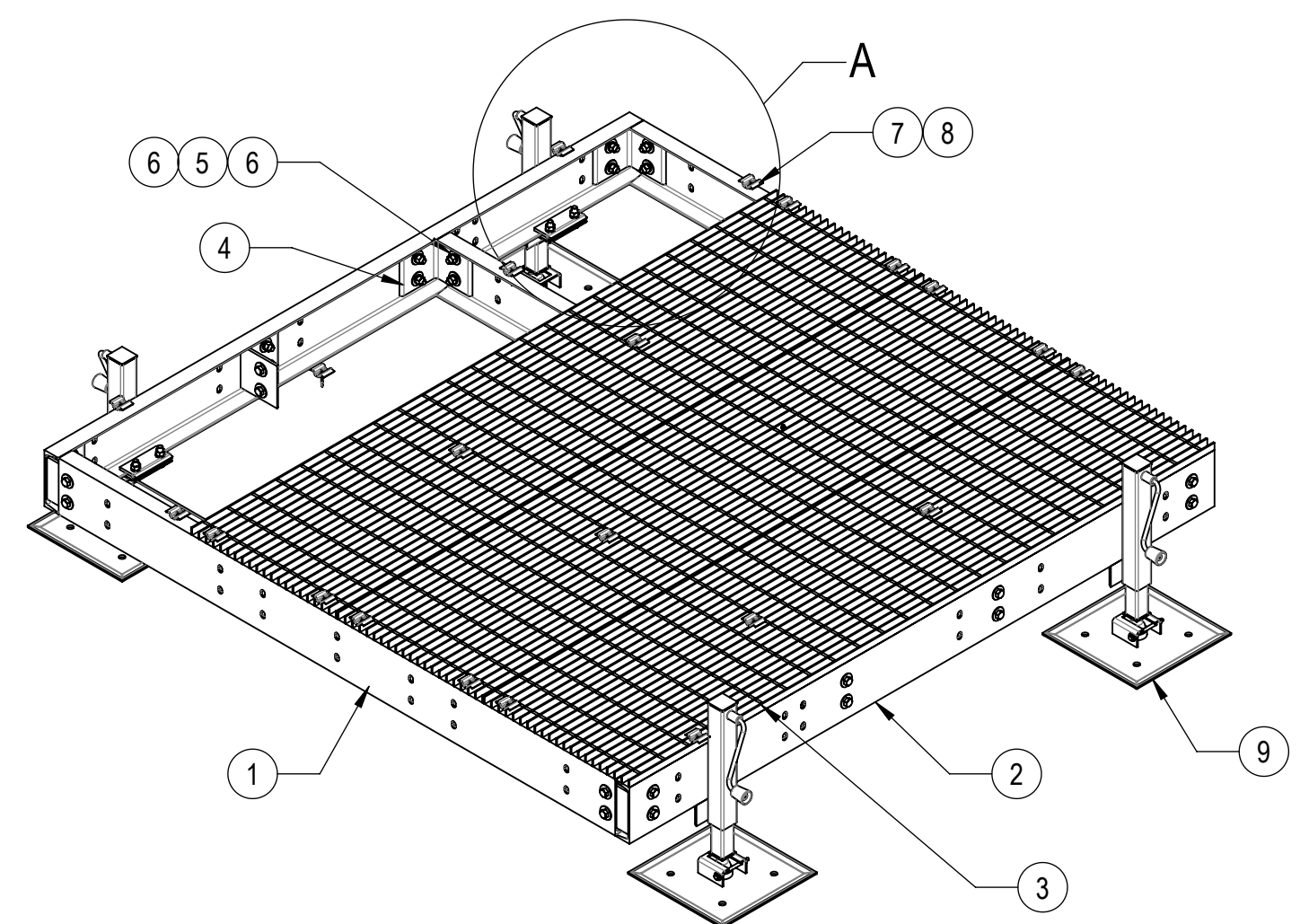
REVISIONS			
REV.	DESCRIPTION	DATE	APPROVED
A	INITIAL RELEASE	DRR 24OCT11	TP
B	UPDATE VIEWS AND WEIGHT	MSM 04APR12	TP
C	UPDATED DRAWING FORMAT	LL1090 23AUG24	YC1015 40203043CMO



DETAIL B
SCALE 1 : 8

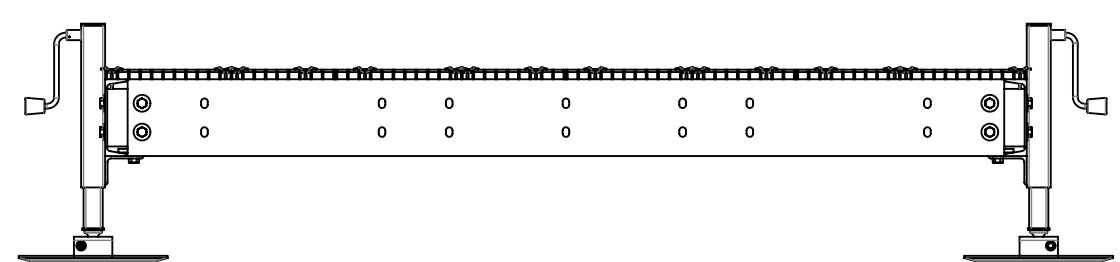
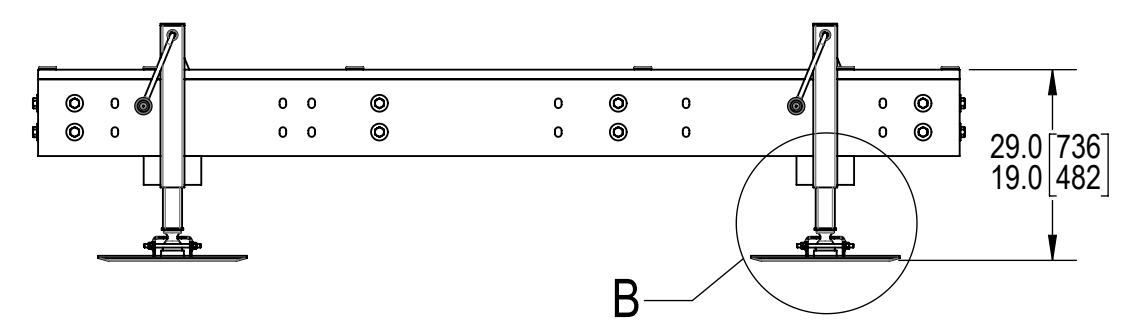


SECTION C-C
SCALE 1 : 8



DETAIL A
SCALE 1 : 10

HIDE BAR GRATING FOR CLARITY



COMPONENT PART NUMBERS PROVIDED FOR ASSEMBLY PURPOSES;
 INDIVIDUAL COMPONENTS MAY BE SHIPPED AS PARTS WITHIN AN INCLUDED KIT.

ITEM	PART NO.	DESCRIPTION	QTY.	WEIGHT	NOTE NO.
1	MTC7902080801	8' CENTER CHANNEL	4	86.21 LBS	
2	MTC7902080805	8' SIDE CHANNEL C8 X 11.5#	2	90.60 LBS	
3	MTC7902080803	24" X 96" BAR GRATING	4	114.17 LBS	
4	MTC790203	CHANNEL ADAPTER ANGLE	8	7.07 LBS	
5	GB-05205	5/8" X 2" GALV BOLT KIT	32	0.26 LBS	
6	GWF-05	5/8" GALV FLAT WASHER, 1.7OD	64	0.06 LBS	
7	MTC390324	BAR GRATING CLIP	24	0.17 LBS	
8	TS1220	12-24 X 2" SELF DRILLING SCREW	24	0.03 LBS	
9	EQ-P-AL	ADJ. LEG FOR EQUIPMENT PLATFORMS	4	56 LBS	

DENSITY	1283.41	lbs/in ³
MASS	4350.82	lbs
VOLUME	41729.10	in ³
SURFACE AREA	41729.10	in ²
HEIGHT	19.0"	
LENGTH	114.0"	
WIDTH	96.0"	

© 2024 CommScope, Inc. Confidential

COMMSCOPE, INC. OF NORTH CAROLINA

TOLERANCES: 1 PLACE .X[X] ± 0.12[3.0], 2 PLACE .XX[X] ± 0.06[1.5], 3 PLACE .XXX[X] ± 0.031[0.8], ANGLES ± 2°

SAP MATERIAL MASTER: EQ-P0808-AL

FINISH: MATERIAL:

NAME	DATE	TITLE
CE DRR	24OCT11	8' X 8' EQUIPMENT PLATFORM W/4 EQ-P-AL
RW LL1090	08/23/2024	
AD YC1015	08/25/2024	
RE LL1090	08/26/2024	

SCALE: 1:24 DOCUMENT NO.: EQ-P0808-AL

SIZE	Auth Group	INSL	MODEL	DRAWING			SHEET
C			00	RE	C	00	RE
	VERSION	STATUS	REVISION	VERSION	STATUS	REVISION	1 OF 1
	00	RE	C	00	RE	C	

4

3

2

1