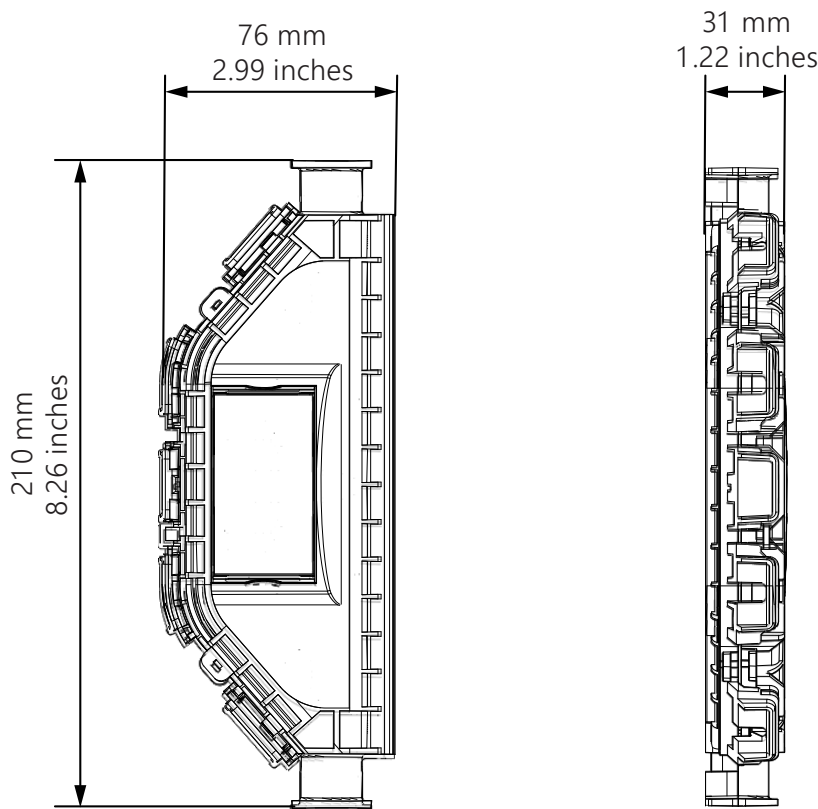


NOVUX™ Fiber Optic System SRC 10

1 About this manual

This installation instruction document describes the installation of the SRC10. The document starts with general product information, an overview of the tools required to perform the installation. Also warnings and cautions are indicated, which should be observed before starting the product installation. Following installation steps are covered in this document: closure preparation, drop cable installation, routing and splicing, closing the closure and mounting the closure. Images in this manual are for reference only and are subject to change.

2 Dimensions



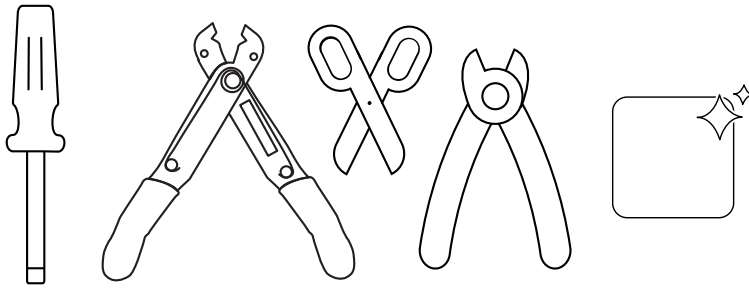
3 Cable diameter range

Drop cable	mm	inches
Round cable (Metal clip)	4 - 6,2	0.16 - 0.24
Round cable (Cable ties and silicone tape)	2 - 8	0.08 - 0.31
Flat cable (Metal clip)	8 x 4,5	0.32 x 0.18
Flat cable ROC™ (Metal clip)	5,4 x 3	0.21 x 0.12

Contents

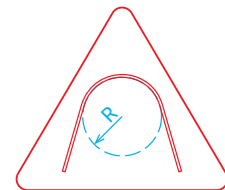
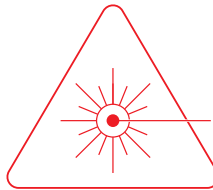
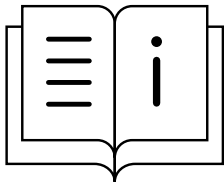
1 About this manual	1	8.3 Install flat cable.....	5
2 Dimensions	1	9 Cable retention: Cable ties	6
3 Cable diameter range	1	9.1 Kit contents.....	6
4 Tools	3	9.2 Apply silicon tape on the cable.....	6
5 Warnings and Cautions	3	9.3 Install the cable.....	7
6 Access the organiser	3	10 Splice holder installation and removal	8
7 Prepare cable	4	11 Splice and routing	8
7.1 Rigid strength member.....	4	12 Mount the closure	9
7.2 Cable retention.....	4	12.1 Wall- and pole mounting with screws.....	9
8 Cable retention: Metal clip	5	13 Close the closure	9
8.1 Kit contents.....	5	14 Disclaimer	10
8.2 Install round cable.....	5	15 Contact information	10

4 Tools



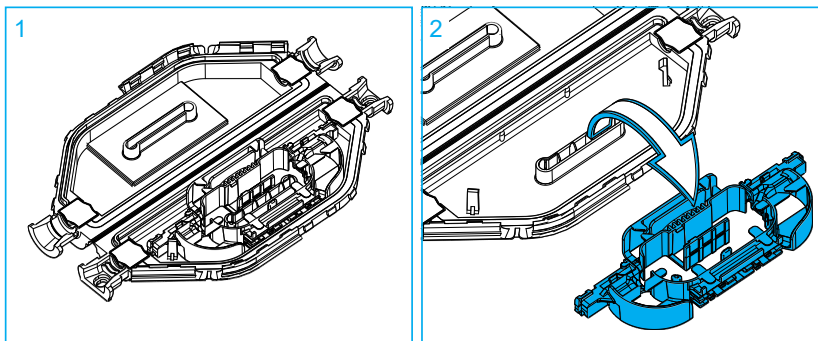
- Cable Stripping and cleaning tools
- Scissors
- Flat screw driver

5 Warnings and Cautions



- Follow the installation instruction steps to ensure the performance of the closure. It is necessary to take precautions and keep the working space clean to protect the closure sealing materials and splices.
- Exposure to laser radiation can seriously damage the retina of the eye. Do not look into the ends of any optical fiber. Do not assume the laser power is turned off or that the fiber is disconnected at the other end. Looking into the ends of any optical fiber is entirely at your own risk. A protective cap or hood **MUST** be immediately placed over any radiating adapter or optical fiber connector to avoid the potential of dangerous amounts of radiation exposure. This practice also prevents dirt particles from entering the connector and adapter.
- Fiber optic cables may be damaged if bent or curved to a radius that is less than the recommended minimum bend radius. Always observe the recommended bend radius limit when installing fiber optic cables, subunits and patch cords.

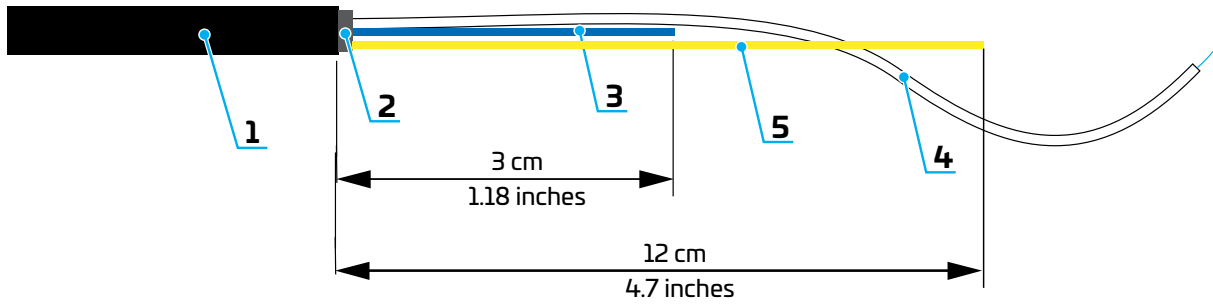
6 Access the organiser



- 1 Remove the closure from the packaging.
- 2 Remove the organizer from the closure.

7

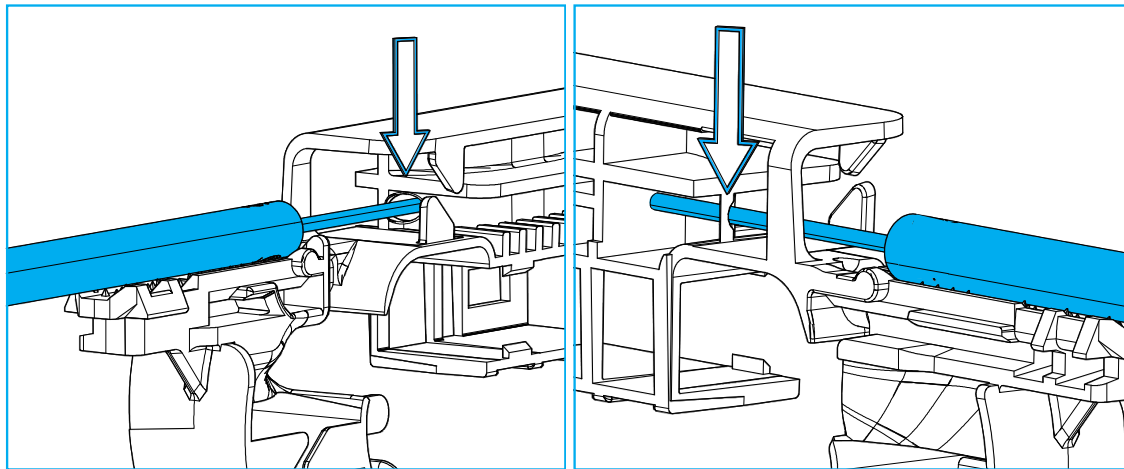
Prepare cable



N°	Description	Preparation
1	Jacket	Remove the jacket with a distance of 90 ± 5 cm / 35.4 ± 2 Inches.
2	Dual Jacket (if present)	Make the dual jacket as small as possible; keep a maximum length of 1,2 cm / 0.47 Inches.
3	Rigid central strength member (if present)	Cut the rigid strength member to length of $3 +0/-0,5$ cm / $1.18 +0/-0.2$ Inches. The maximum diameter of the strength member is 3 mm / 0.12 Inches.
4	Subunits (Tube)	Clean the subunits (tubes), remove all grease. The subunit tube should be removed to access the fiber. Make it as small as possible.
5	Aramid yarn (if present)	Cut the aramid yarn to a length of 12 ± 1 cm / 4.7 ± 0.4 Inches. Limit the amount of aramid yarn.

Note: For flat drop cable: cut both rigid strength members if present.

7.1 Rigid strength member



If a rigid central strength member is present, cut it back to $3 +0/-0,5$ cm / $1.18 +0/-0.2$ Inches. To prevent damage due to strength member pistoning effects, the strength member should be installed as shown in the images above.

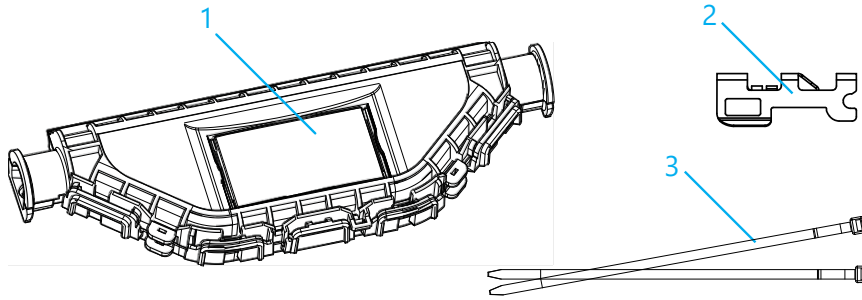
Note: The maximum diameter of the strength member is 3 mm / 0.12 Inches.

7.2 Cable retention

Note: According to best practice in the field the correct cable retention needs to be selected. Please reach out to the TAC/FAE local representative in case extra information is required.

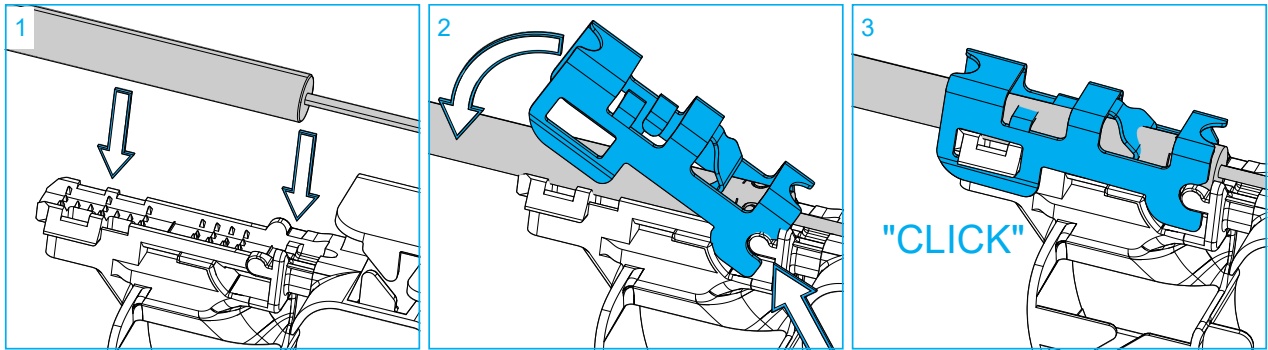
8 Cable retention: Metal clip

8.1 Kit contents



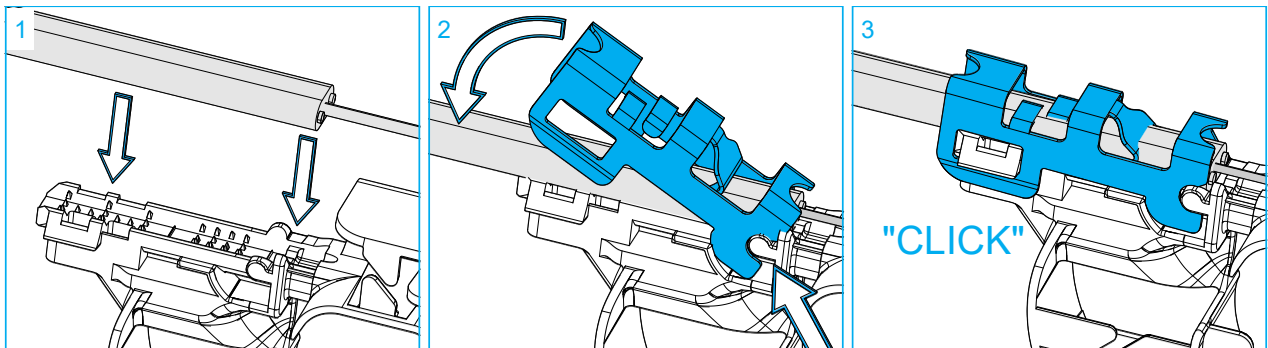
N°	Description	Qty
1	SRC 10 Closure	1
2	Metal clip	2
3	Cable ties	2

8.2 Install round cable



- 1 Align the jacket opening with the rib on the carrier.
- 2 Mount the clip on the cable - carrier assembly. The two slots of the metal clip should be positioned in the two tabs of the carrier, then press the clip towards the cable.
- 3 Push until the two snap hooks snap into the slots of the metal clip. The careful use of pliers is allowed to close the clip properly.

8.3 Install flat cable

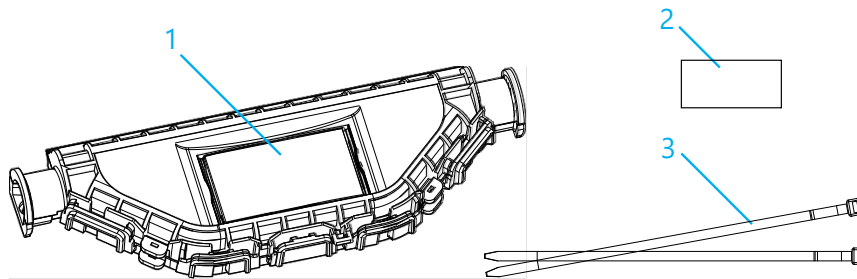


- 1 Align the jacket opening with the rib on the carrier. Position the cable as shown.
- 2 Mount the clip in the cable-carrier assembly. The two slots of the metal clip should be positioned in the two tabs of the carrier, then press the clip towards the cable.

- Push until the two snap hooks snap into the slots of the metal clip. The careful use of pliers is allowed to close the clip properly.

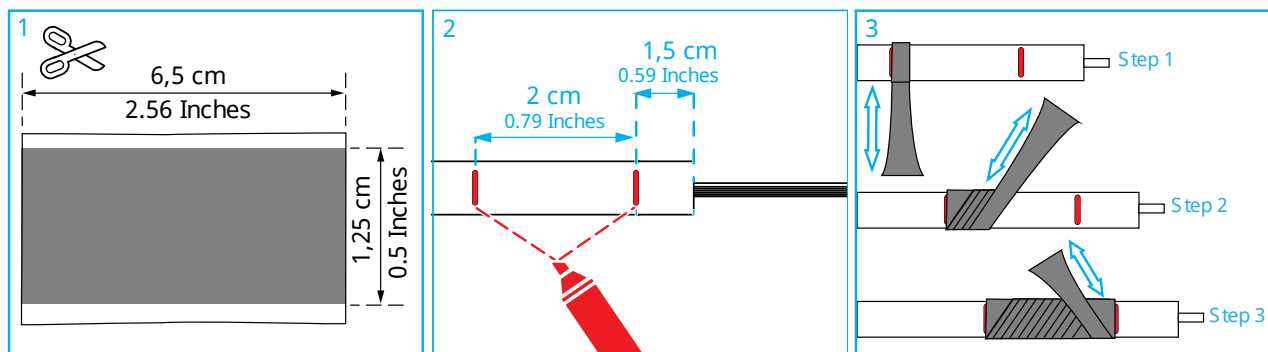
9 Cable retention: Cable ties

9.1 Kit contents



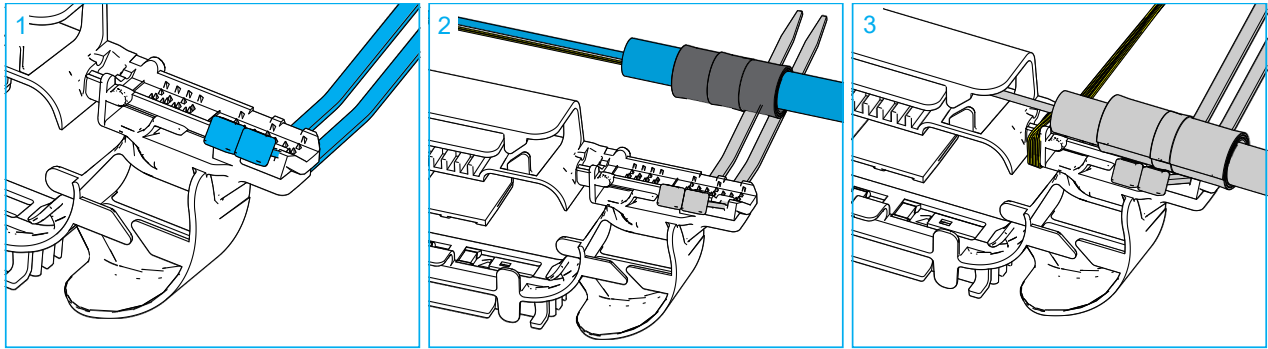
N°	Description	Qty
1	SRC10 Closure	1
2	Silicone tape (1,25cm / 0.5 inches width)	2
3	Cable ties	6

9.2 Apply silicon tape on the cable

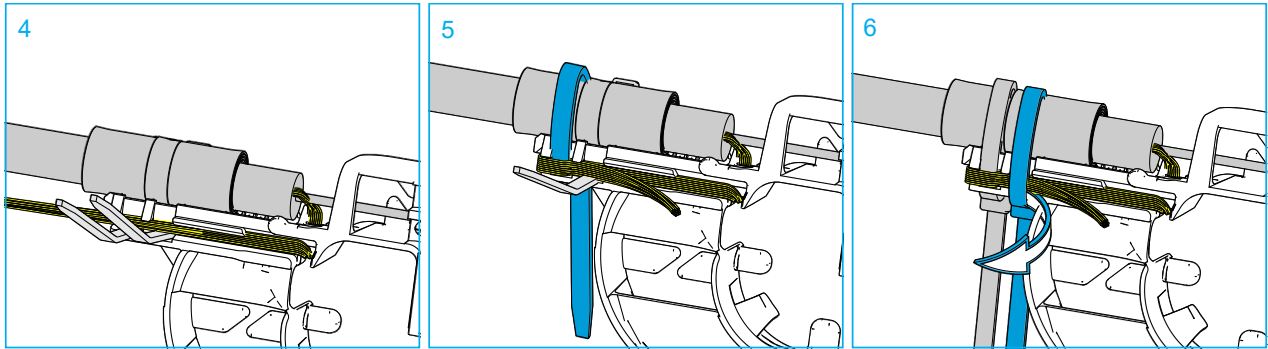


- Verify the size of the silicone tape: 6,5 X 1,25 cm / 2.56 X 0.5 Inches. If the tape doesn't have these dimensions, cut the strip to these dimensions (lengthwise and widthwise).
- ⚠ Attention:** Make sure your hands are clean and degreased before preparing and installing the cables. Degrease the cable where the cable will enter the closure.
- Make a first mark on the cable 1,5 cm / 0.59 Inches from the jacket end. Make a second mark 2 cm / 0.79 Inches from this first mark.
- Apply the silicone tape between the two marks. Remove the protective paper. Stretch the tape minimum 50% while wrapping the tape around the cable. First apply a full turn around the cable, then continue to cover up to the second mark. Make one turn at the end point and come back with the remaining tape.

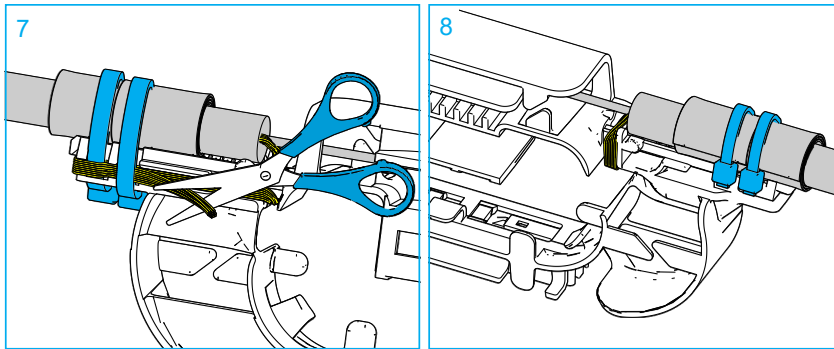
9.3 Install the cable



- 1 Install the cable ties in the slots in the carrier, as shown. Make sure the teeth of the cable tie are facing upwards.
- 2 Position the cable on the carrier with the jacket opening aligned with the rib on the carrier.
- 3 Guide the aramid yarn under the carrier as shown.

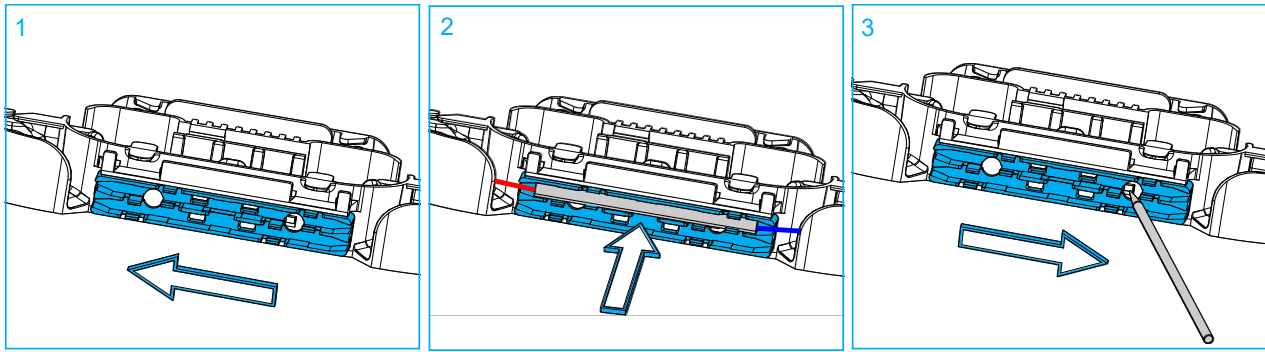



- 4 Keep the cable in place and pull the aramid yarn backwards. Make sure the cable doesn't twist.
- 5 Secure the first cable tie with the aramid yarn caught between cable and cable tie but do not tighten yet. Bring the aramid yarn to the front.
- 6 Secure the second cable tie with the aramid yarn caught between cable and cable tie. Make sure to put the aramid yarn under tension during this operation.



- 7 Tighten the two cable ties. Cut off excess aramid yarn and excess cable tie strap.
- 8 Make sure the cable tie head is positioned as shown on image above.

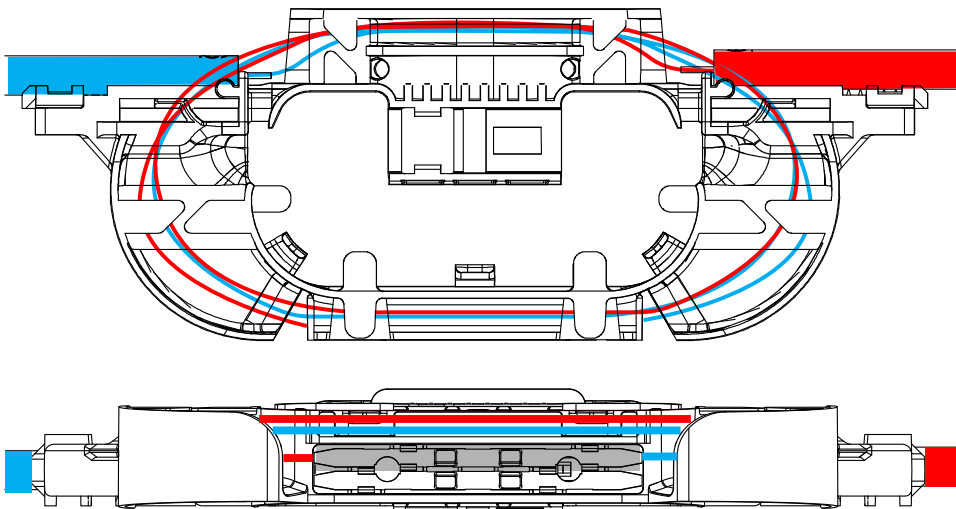
10 Splice holder installation and removal



 **Note:** Different splice holders can be factory installed or be installed in the field. Images from the splice holder are for reference only and are subject to change.

- 1 Slide the splice holder in the dove tail on the tray from right to left.
- 2 Store the splice protector in one of the holders.
- 3 To remove the splice holder use the tip of a pen to unlock the splice holder, then slide the splice holder from left to right.

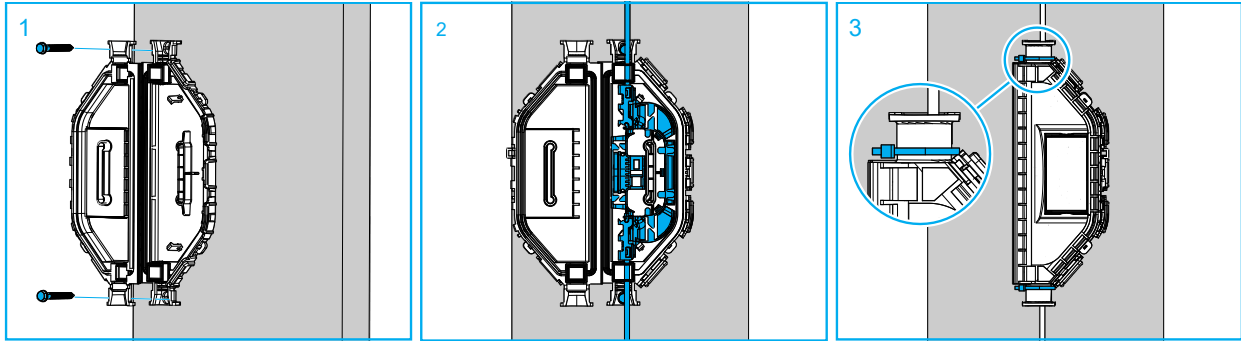
11 Splice and routing



 **Note:** Route subunits one complete loop before entering splice holder.

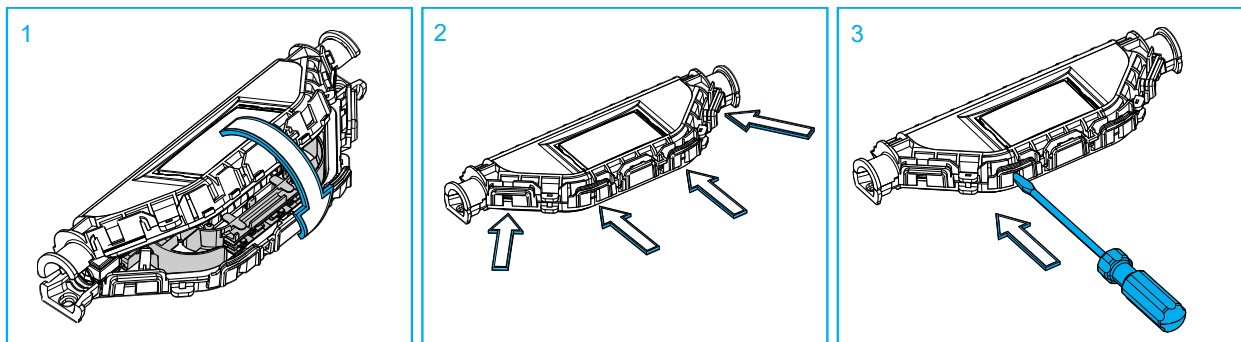
12 Mount the closure

12.1 Wall- and pole mounting with screws

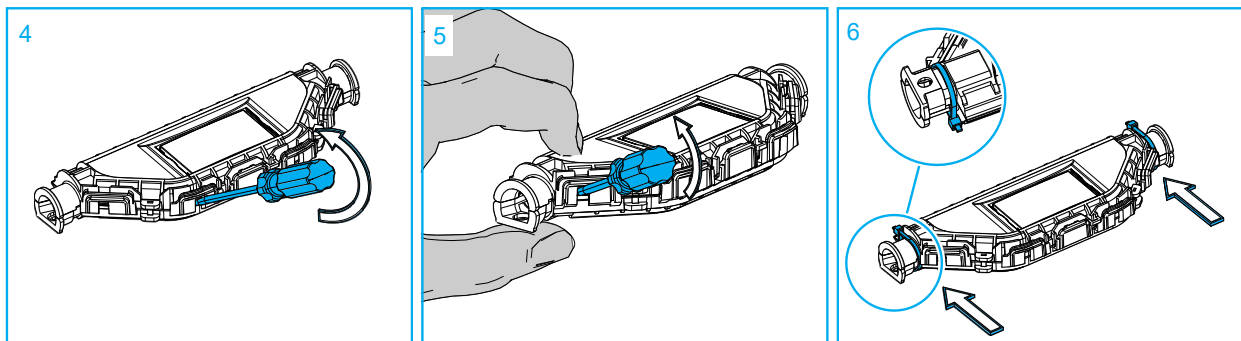


- 1 Mount the closure using appropriate hardware (screws not included).
- 2 Snap the organizer into place.
- 3 Close the closure according to the steps outlined in chapter 13.

13 Close the closure



- 1 Close the closure but **don't** engage the snap hooks yet!
- 2 In these 4 positions the snap hooks needs to be closed with a flat screw driver.
- 3 Insert the flat screw driver as far as possible.



- 4 Make an upward movement till you feel/hear that the snap hooks snap into each other.
- 5 For the two outside positions push at the closure as shown in the picture while you use the screw driver to close the snap hooks.
- 6 Install and tighten cable ties on both sides of the closure.

 **Note:** After every re-entry use a new closure housing.

 **Attention:** It's very important to ensure **all snap hooks snap into each other** and tie wraps are applied to each end.

14 Disclaimer

All trademarks identified by ® are registered trademarks in the US and may be registered in other countries. All third party product names, trademarks and registered trademarks are property of their respective owners.

This product may be covered by one or more U.S. patents or their foreign equivalents. For patents, see www.cs-pat.com.

This document is not intended to modify or supplement any specifications or warranties relating to CommScope products or services.

15 Contact information

Visit our website or contact your local CommScope representative for more information. www.commscope.com

For technical assistance, customer service, or to report any missing/damaged parts, visit us at:
<http://www.commscope.com/SupportCenter>