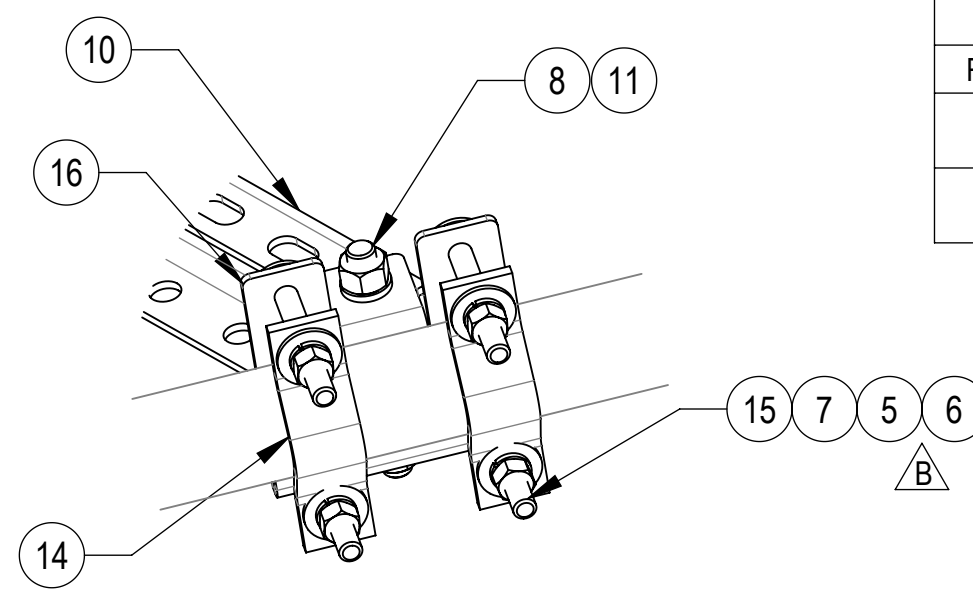
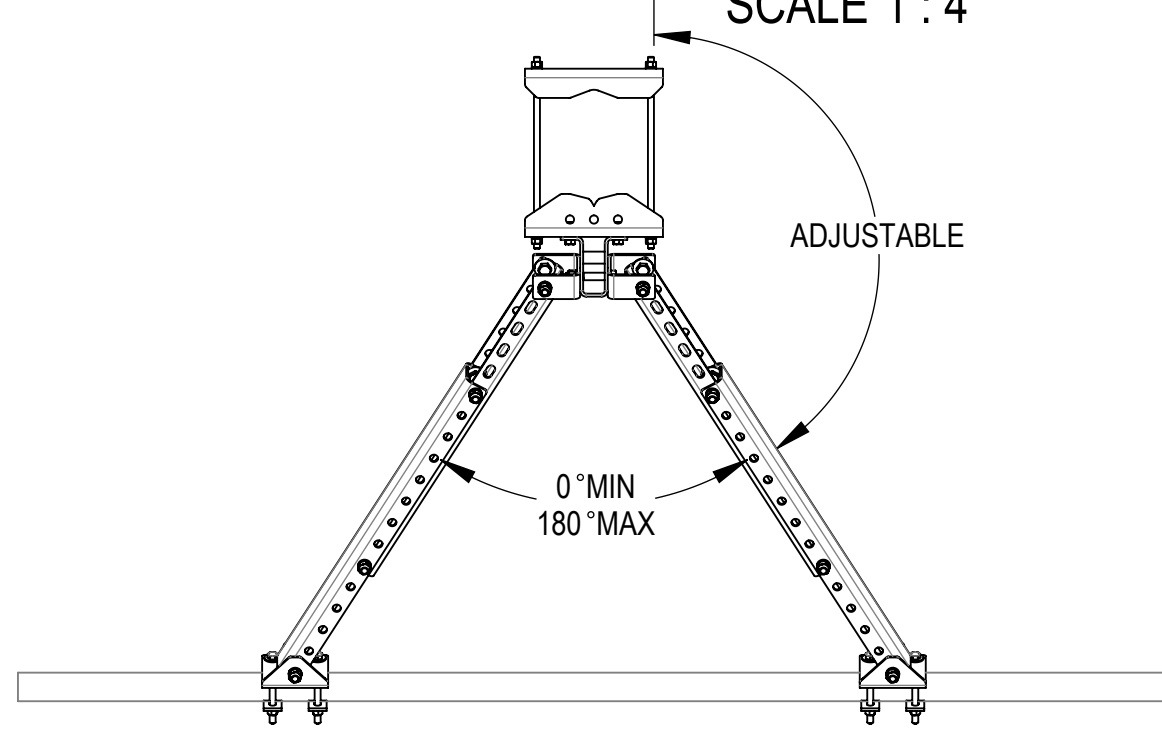


- 1.0 GENERAL NOTES  
 1.1 ALL METRIC DIMENSIONS ARE IN BRACKETS [X. X]  
 1.2 FOR PATENT INFO: <https://www.cs-pat.com>  
 2.0 DESIGN NOTES  
 2.1 FITS TOWER LEGS FROM 2" TO 8" OD.  
 2.2 ALL DIMENSIONS SHOWN ARE REFERENCE ONLY ALL CONNECTIONS ARE ADJUSTABLE. FINAL INSTALLED APPLICATION DICTATES FINISHED DIMENSIONS.  
 3.0 MANUFACTURING/SPECIAL REQUIREMENTS  
 3.1 TIGHTEN ALL BOLTS SECURING FLAT PLATES BY THE TURN-OF-NUT METHOD. TIGHTEN ALL U-BOLTS USING TURN-OF-NUT METHOD WITH ATTENTION TO LEAVE EQUAL DISTANCE AND EQUAL FORCE ON EACH LEG OF THE U-BOLT.  
 4.0 TEST  
 5.0 PACKAGING  
 5.1 PACKAGING SHALL MEET COMMSCOPE REQUIREMENTS PER DOCUMENT IS-PL-3005  
 5.2 PRINTED DOCUMENT TO BE PLACED INSIDE POLYBAG AND THEN IN SHIPPING CONTAINER  
 5.3 EXTRA HARDWARE MAY BE SUPPLIED, BAGGED AND SHIPPED

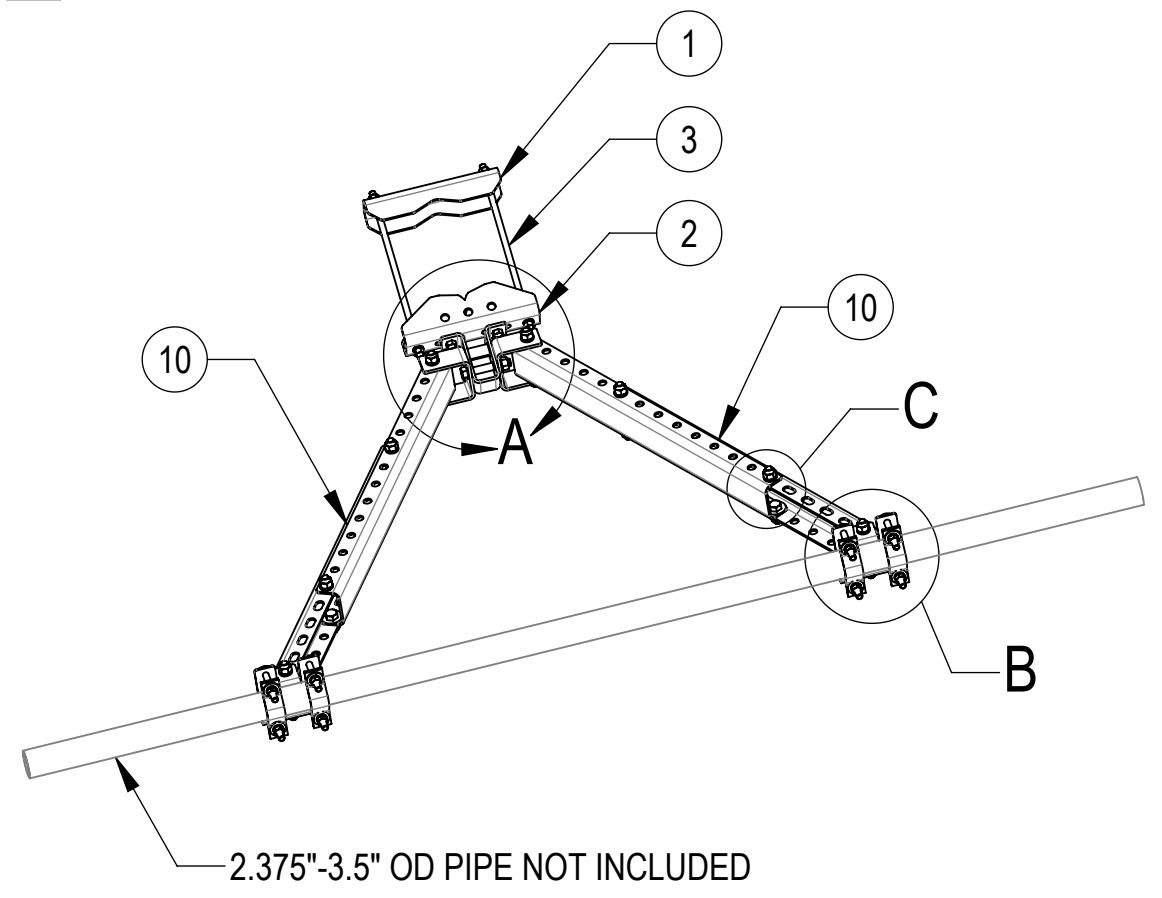
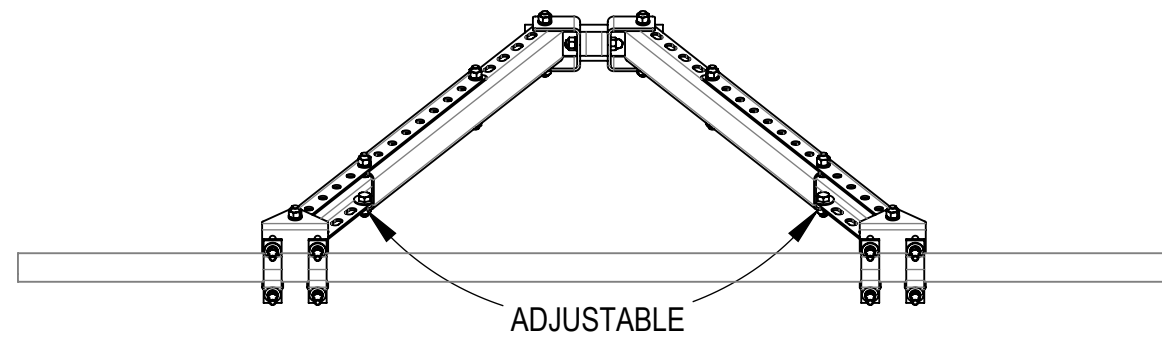
REVISIONS			
REV.	DESCRIPTION	DATE	APPROVED
A	NEW RELEASED.	XZ1054 10/18/2021	15185PC
B	QTY GN-04 WAS 6 EA, AND GWL-04 WAS 4 EA	RY1002 12AUG24	BCROSS 40202158CMO



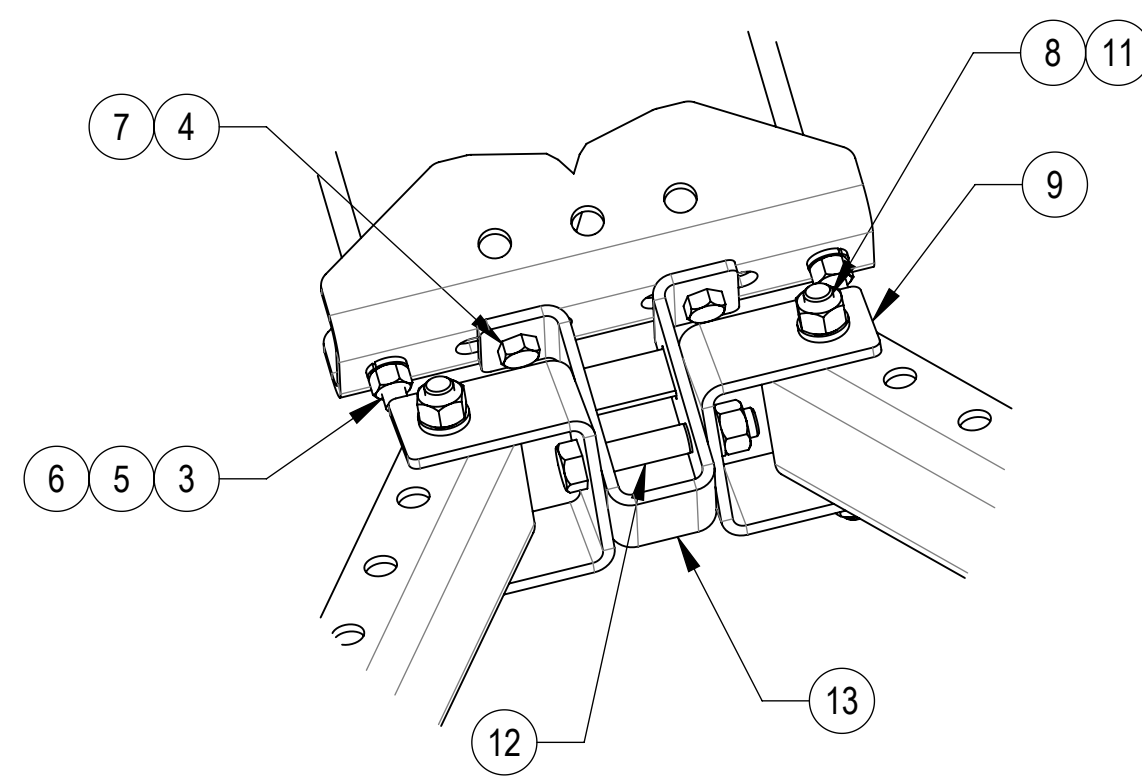
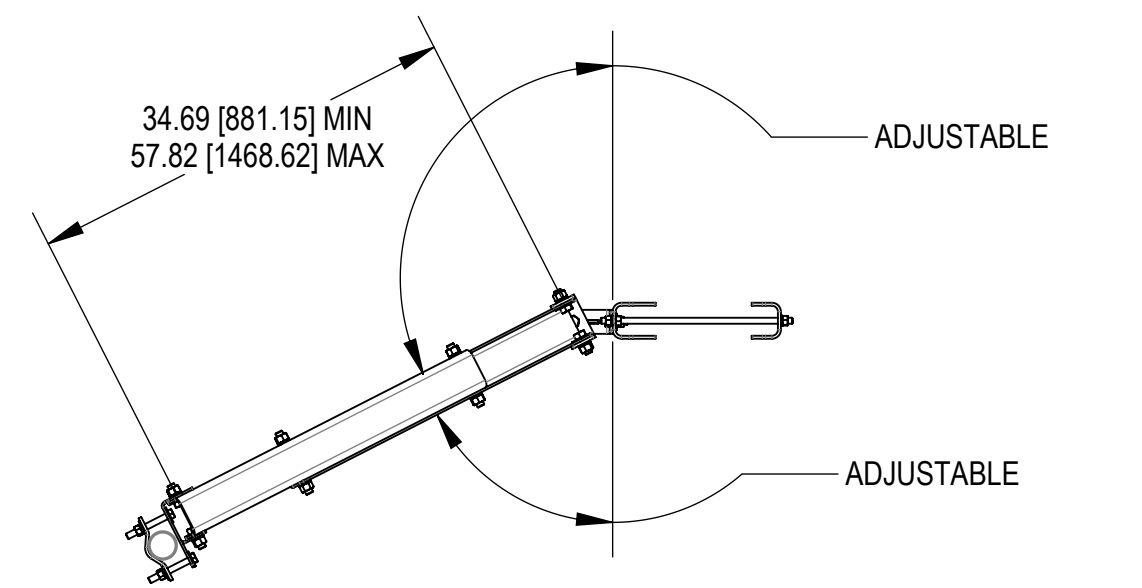
DETAIL B  
SCALE 1 : 4



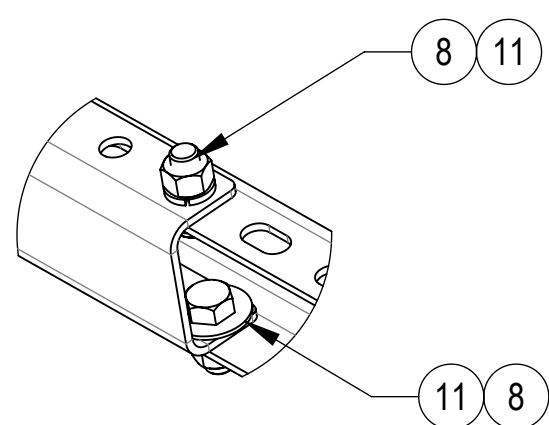
UP TO ±90° AZIMUTH  
ADJUSTMENT OFF APEX



2.375"-3.5" OD PIPE NOT INCLUDED



DETAIL A  
SCALE 1 : 4



DETAIL C  
SCALE 1 : 4  
IN 8 PLACES

COMPONENT PART NUMBERS PROVIDED FOR ASSEMBLY PURPOSES;  
INDIVIDUAL COMPONENTS MAY BE SHIPPED AS PARTS WITHIN AN INCLUDED KIT.

ITEM	PART NO.	DESCRIPTION	QTY.	WEIGHT	NOTE NO.
1	MTC397531	BACK BRACKET, SM-U2080LD	1	5.15 LBS	
2	MTC397532	FRONT BRACKET, SM-U2080LD	1	5.97 LBS	
3	MT37916	1/2" X 16" GALV THREADED ROD	2	0.88 LBS	
4	GB-04145	1/2" X 1-1/2" GALV BOLT KIT	2	0.13 LBS	
5	GWL-04	1/2" GALV LOCK WASHER	12	0.01 LBS	
6	GN-04	1/2" GALV HEX NUT	14	0.04 LBS	
7	GWLF-04	1/2" GALV FLAT WASHER	18	0.04 LBS	
8	GB-05145	5/8" X 1-1/2" GALV BOLT KIT	16	0.22 LBS	
9	VSRC-2000	BRACKET, PIVOT	2	1.64 LBS	
10	MCPM-2100	ARM, 31.5" SUPPORT	4	10.72 LBS	
11	GWLF-05	5/8" GALV FLAT WASHER, 1.7OD	16	0.06 LBS	
12	GB-05365	5/8" X 3-3/4" GALV BOLT KIT	1	0.41 LBS	
13	VSRC-1000	BRACKET, PIVOT ATTACHMENT WELD ASSY	1	2.06 LBS	
14	ACP10	1.5" - 3.5" O.D. CLAMP HALF	4	0.61 LBS	
15	1204FTB	1/2" x 4" FULL THREAD GALV. BOLT	8	0.26 LBS	
16	VSRC-3000	CHANNEL MOUNT FOR VSRC	2	2.14 LBS	

DENSITY	101.66	lbs/in <sup>3</sup>
MASS	101.66	lbs
VOLUME	358.68	in <sup>3</sup>
SURFACE AREA	4384.77	in <sup>2</sup>
HEIGHT		
LENGTH		
WIDTH		

**COMMSCOPE, INC. OF NORTH CAROLINA**

TOLERANCES  
 1 PLACE .X[X] ± 0.25[6.4]    3 PLACE .XXX[X] ± 0.060[1.5]  
 2 PLACE .XX[X] ± 0.12[3.0]    ANGLES ± 2°

SAP MATERIAL MASTER  
**VSRC-TS-B**

FINISH: \_\_\_\_\_ MATERIAL: \_\_\_\_\_

UNLESS OTHERWISE SPECIFIED DIMENSIONS ARE IN INCHES INTERPRET PER ANSI Y 14.5M-1994	NAME	DATE	TITLE
CE	XZ1054	10/18/2021	VERTICAL STABILIZER CHANNEL TW 8"- 16"
RW	RY1002	08/13/2024	
AD	BCROSS	08/21/2024	
RE	RY1002	09/05/2024	

SCALE: **1:16** DOCUMENT NO.: **VSRC-TS-B**

SIZE	Auth Group	INSL	MODEL	DRAWING			SHEET	
C	⊕	◁	VERSION	STATUS	REVISION	VERSION	STATUS	REVISION
			01	RE	B	01	RE	B

© 2024 CommScope, Inc. Confidential

4

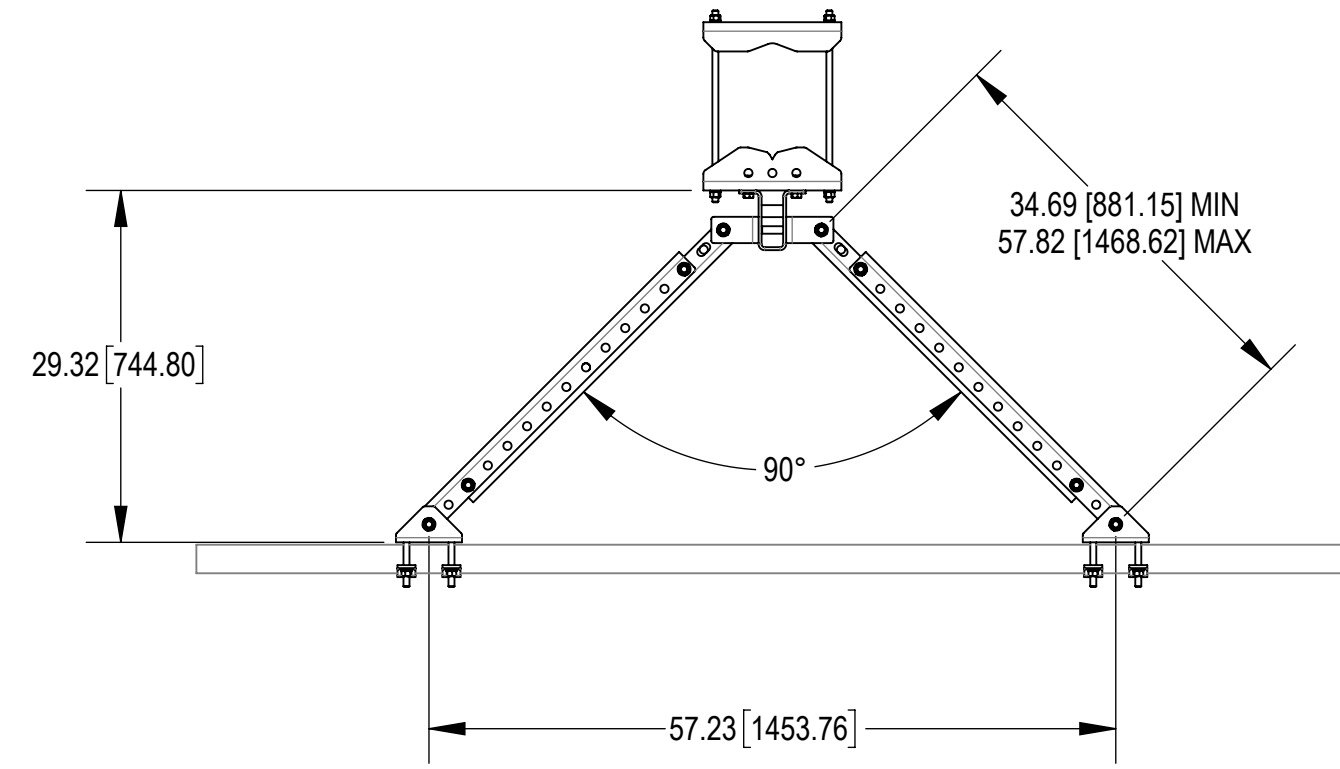
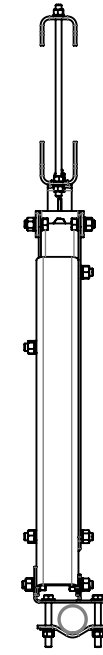
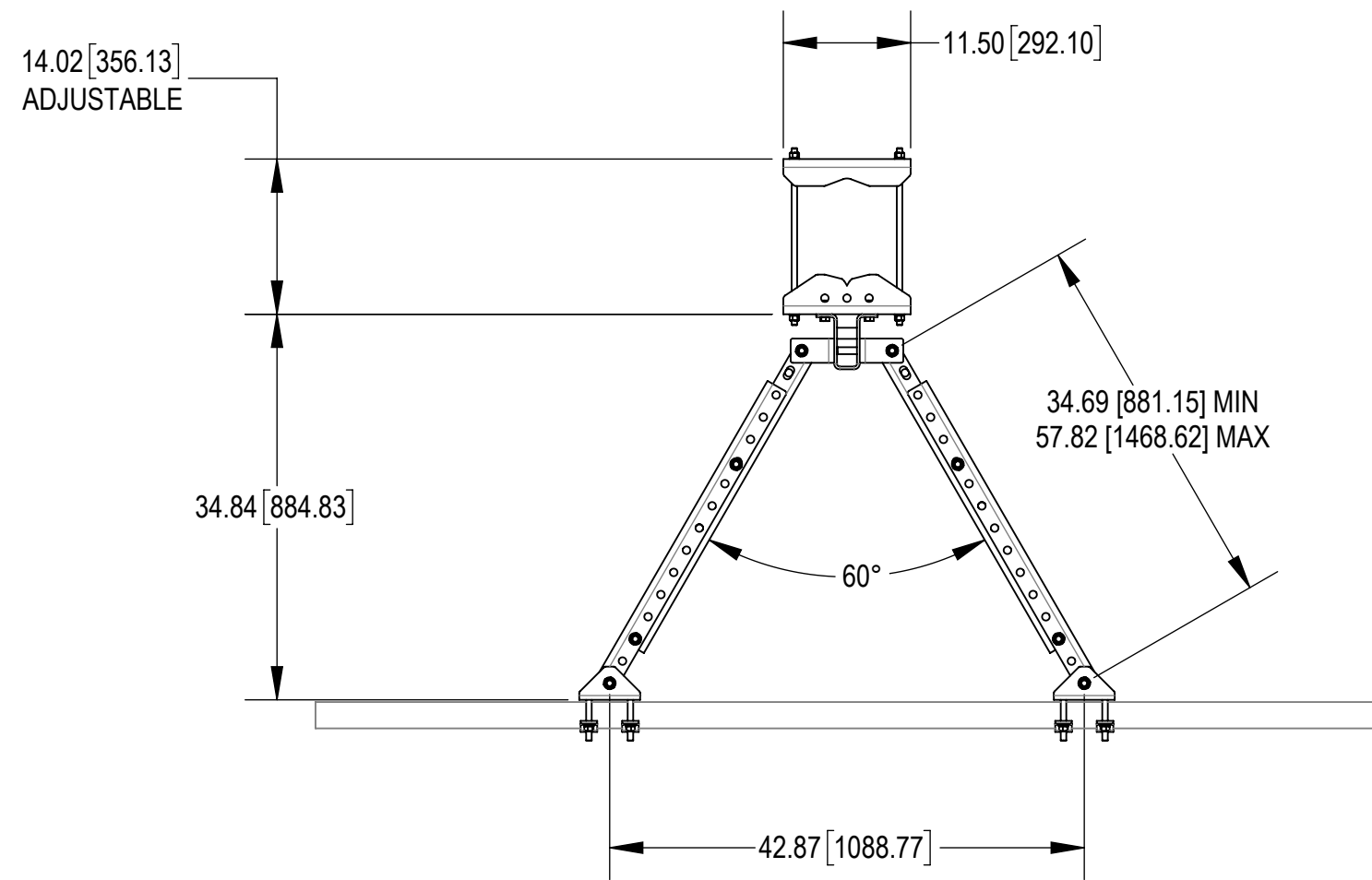
3

2

1

D

D

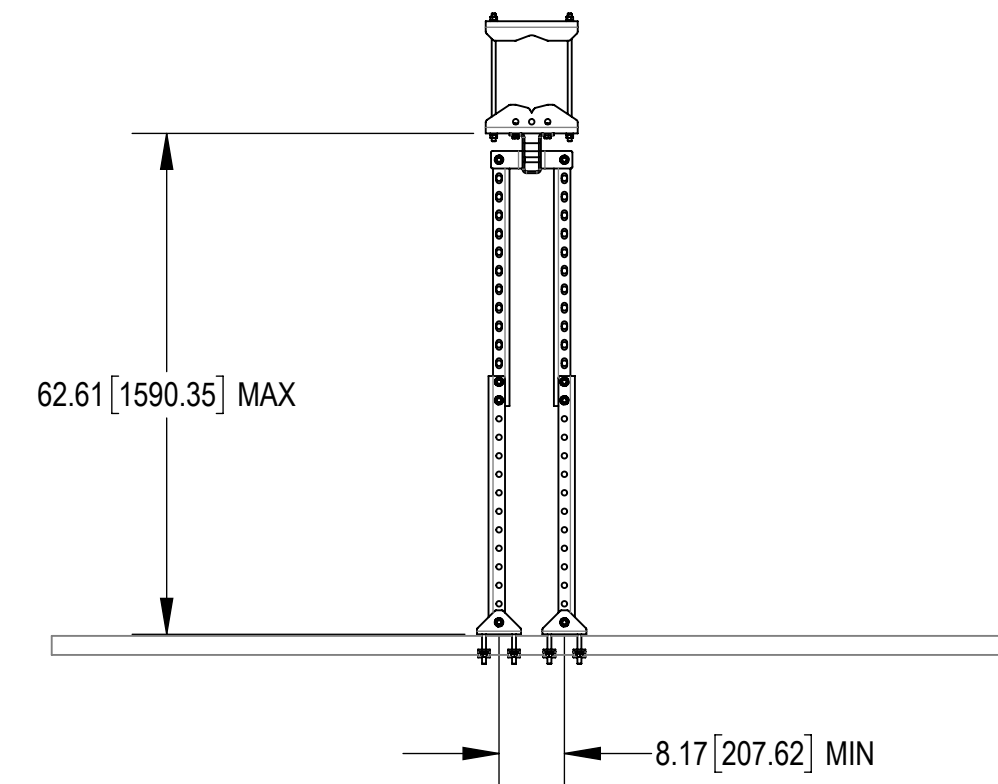
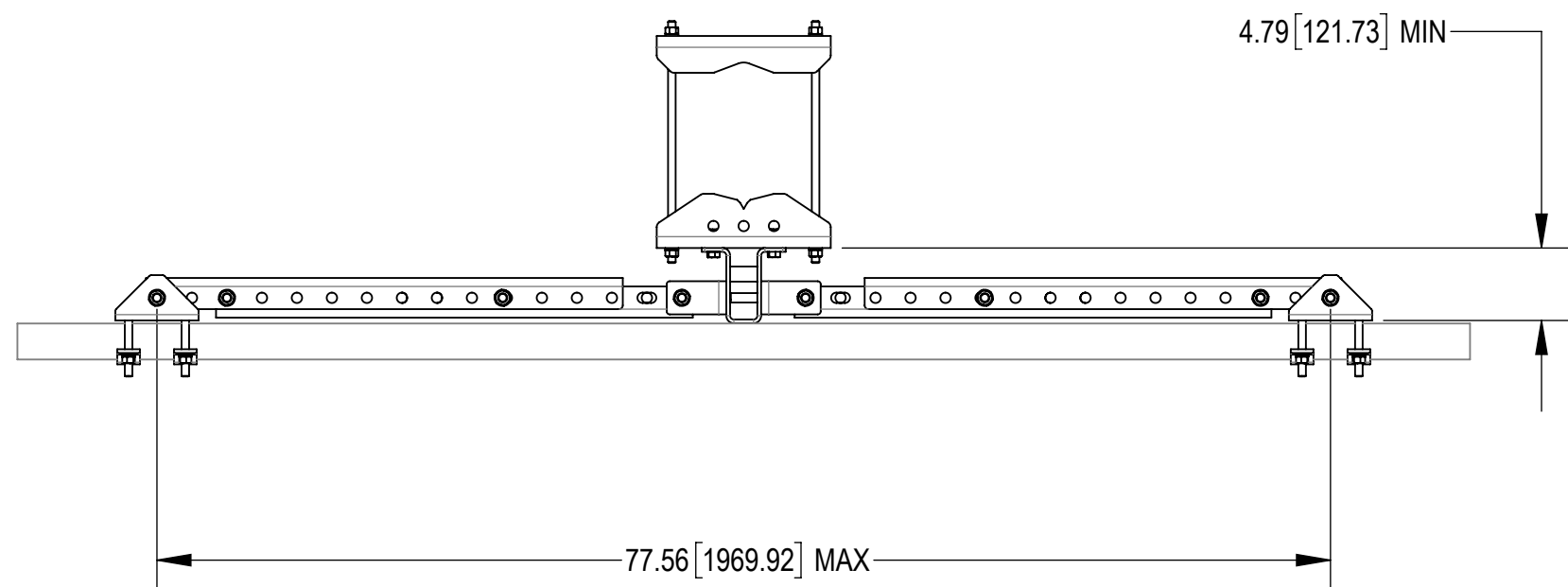


C

C

B

B



A

A

4

3

2

1

COMMSCOPE, INC. OF NORTH CAROLINA				
TITLE VERTICAL STABILIZER CHANNEL TW 8"- 16"				
SIZE <b>C</b>	SCALE <b>1:16</b>	DOCUMENT NO. VSRC-TS-B		
		DRAWING		SHEET
		VERSION	STATUS	REVISION
		01	RE	B
				SHEET 2 OF 2

© 2024 CommScope, Inc. Confidential

