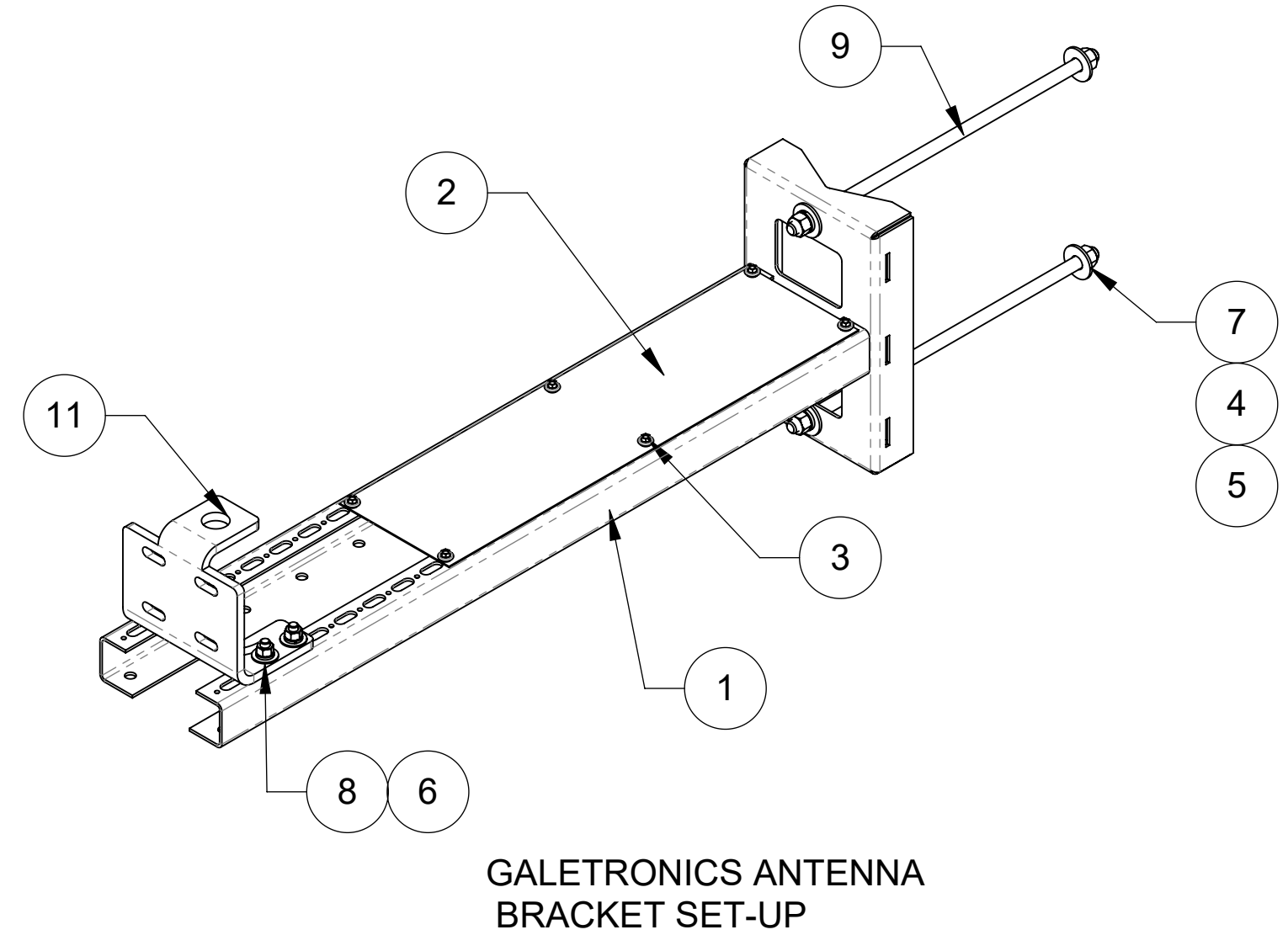
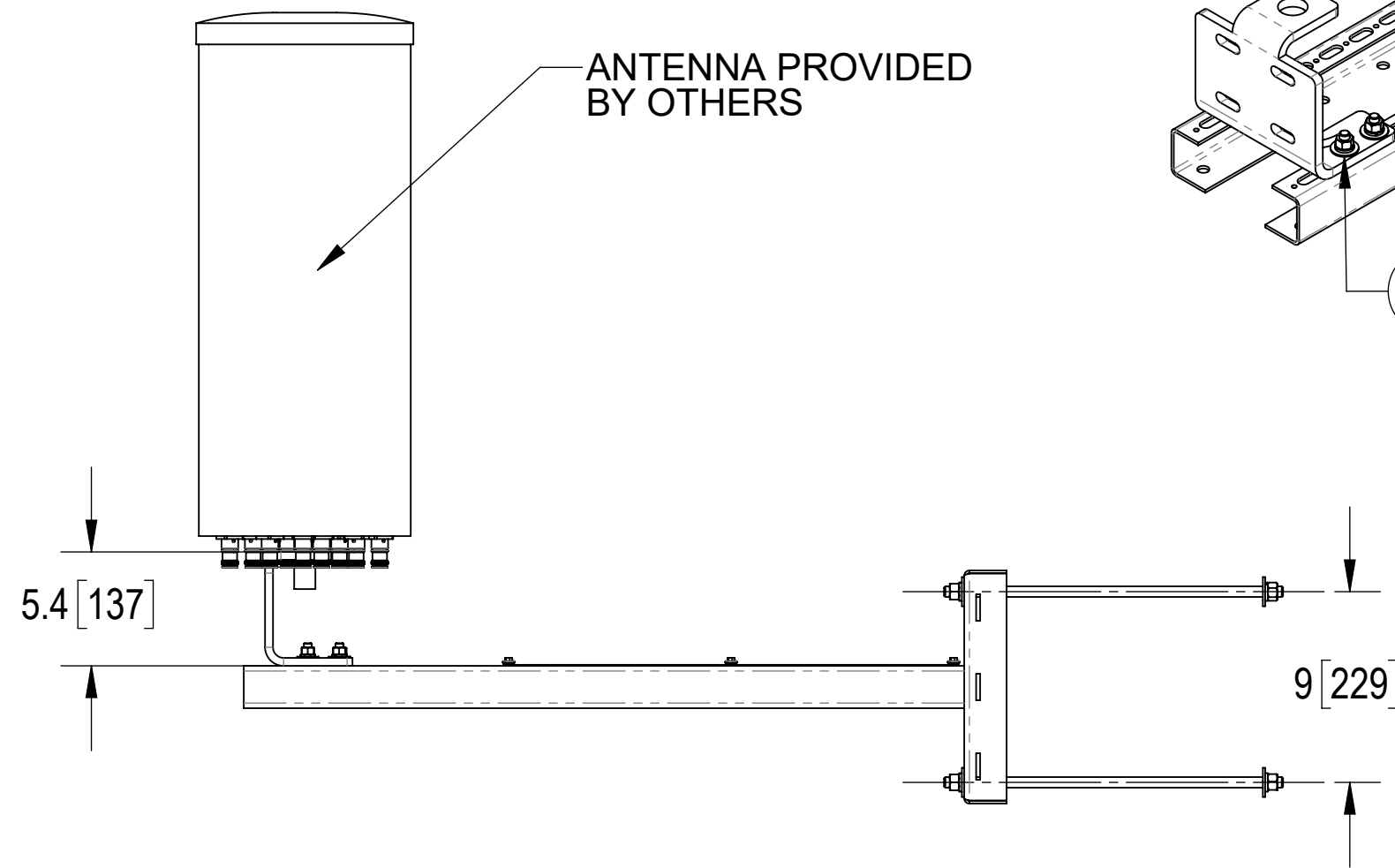
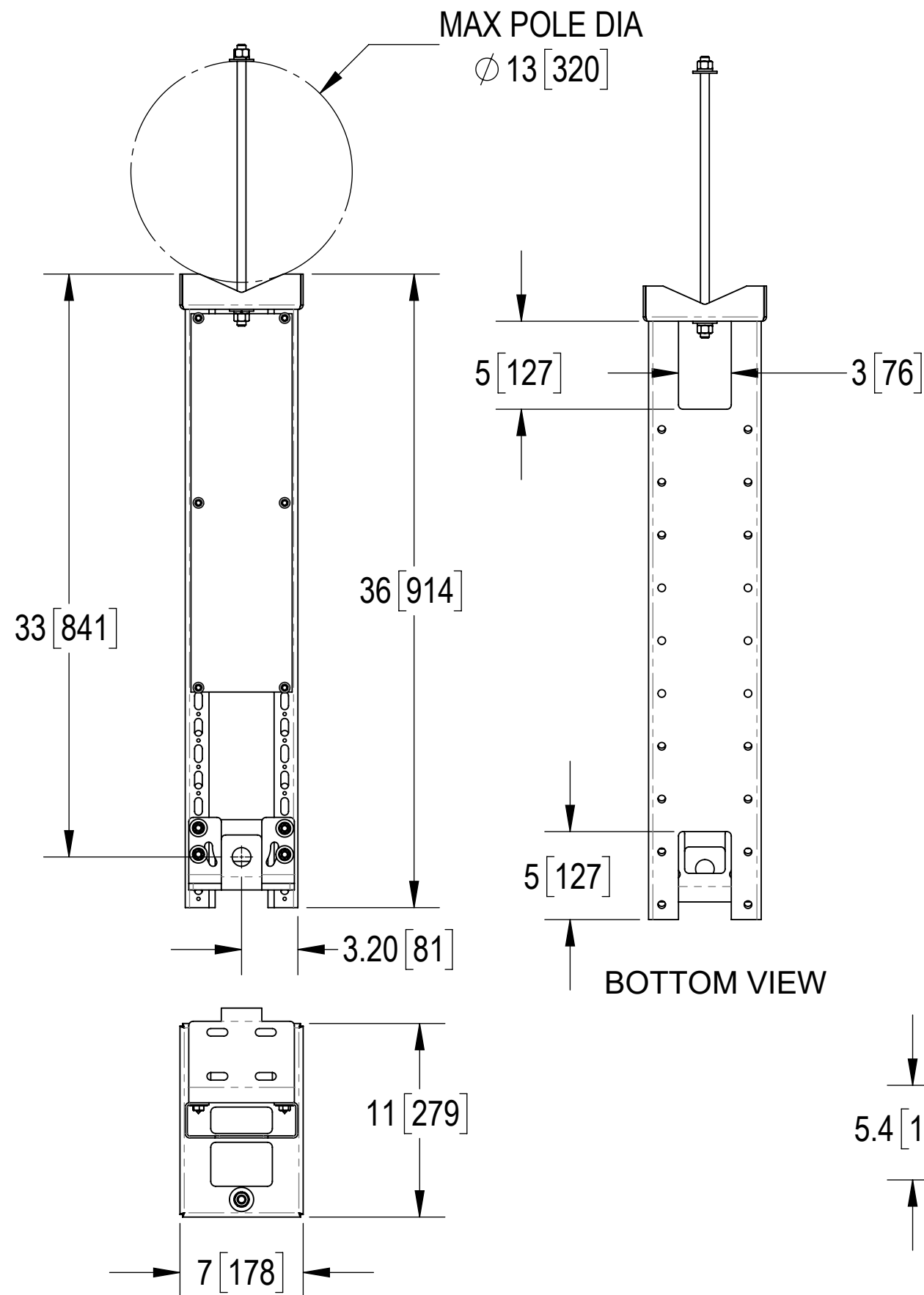


- 1.0 GENERAL
 - 1.1 ALL METRIC DIMENSIONS ARE IN BRACKETS
 - 1.2 FOR PATENT INFO :<https://www.commscope.com/ProductPatent/ProductPatent.aspx>
 - 1.3 PART NO SCSM3B DOES NOT INCLUDE ANTENNA MOUNTING HARDWARE
- 2.0 DESIGN NOTES
 - 2.1 FOR COLOR INFORMATION, REFER TO DRAWING MTM1004
 - 2.2 FOR PANEL ANTENNA, MAX EPA - 2.9 SQ-FT
 - 2.3 ONLY U-BOLTS PROVIDED FOR PANEL ANTENNA
- 3.0 MANUFACTURING/SPECIAL REQUIRMENTS
- 4.0 TEST
- 5.0 PACKAGING

REVISIONS			
REV.	DESCRIPTION	DATE	APPROVED
A	INITIAL RELEASE	FA1024 15JAN18	MC1107 8000027777
B	CHANGE Z BRKT TO U BRKT	FA1024 12MAR18	MC1107 8000028833
C	CHANGE WIDTH OF CHANNEL & U BRACKET	FA1024 31MAY18	MC1107 8000029974
D	COMBINED CANISTER AND PANEL ANTENNA BRKT	FA1024 13JUL18	MC1107 8000030749
E	UPDATE ANT PART # & ADDED U-BOLT	FA1024 04OCT18	MC1107 8000031690
F	ADDED 2 ANTENNAS TO TABLE; FIX NOTE 1.3	RJC 11MAR19	MC1107 8000034330
G	DELETED COMPATIBLE ANTENNAS CHART	ZL1057 07MAR23	SH1132 40167169CMO



COMPONENT PART NUMBERS PROVIDED FOR ASSEMBLY PURPOSES;
INDIVIDUAL COMPONENTS MAY BE SHIPPED AS PARTS WITHIN AN INCLUDED KIT.

ITEM	PART NO.	DESCRIPTION	QTY.	WEIGHT	NOTE NO.
1	MTC397308	WELDMENT, SCSM, 36" STANDOFF	1	16.38 LBS	
2	MTC397343	COVER, 36", LP CANISTER POLE MOUNT	1	1.66 LBS	
3	TS1275	TEK SCREW #12 X 3/4, WITH NEOPRENE WASHER	6	0.02 LBS	
4	GWL-04	1/2" GALV LOCK WASHER	4	0.01 LBS	
5	GN-04	1/2" GALV HEX NUT	4	0.04 LBS	
6	GB-03125	3/8" X 1-1/4" GALV BOLT KIT	4	0.06 LBS	NOT INCLUDED IN SCSM3B
7	GWF-04	1/2" GALV FLAT WASHER	4	0.04 LBS	
8	GWF-03	3/8" GALV FLAT WASHER	4	0.01 LBS	NOT INCLUDED IN SCSM3B
9	MT37916	1/2" X 16" GALV THREADED ROD	2	0.88 LBS	
10	MTC401211	UNIVERSAL ANTENNA MOUNT	1	3.27 LBS	NOT INCLUDED IN SCSM3B
11	MTC401218	MOUNT, PANEL/CANISTER ANTENNA	1	4.82 LBS	NOT INCLUDED IN SCSM3B
12	GUB-3244	3/8" X 2-1/2" X 4" GALV U-BOLT	2	0.31 LBS	NOT INCLUDED IN SCSM3B

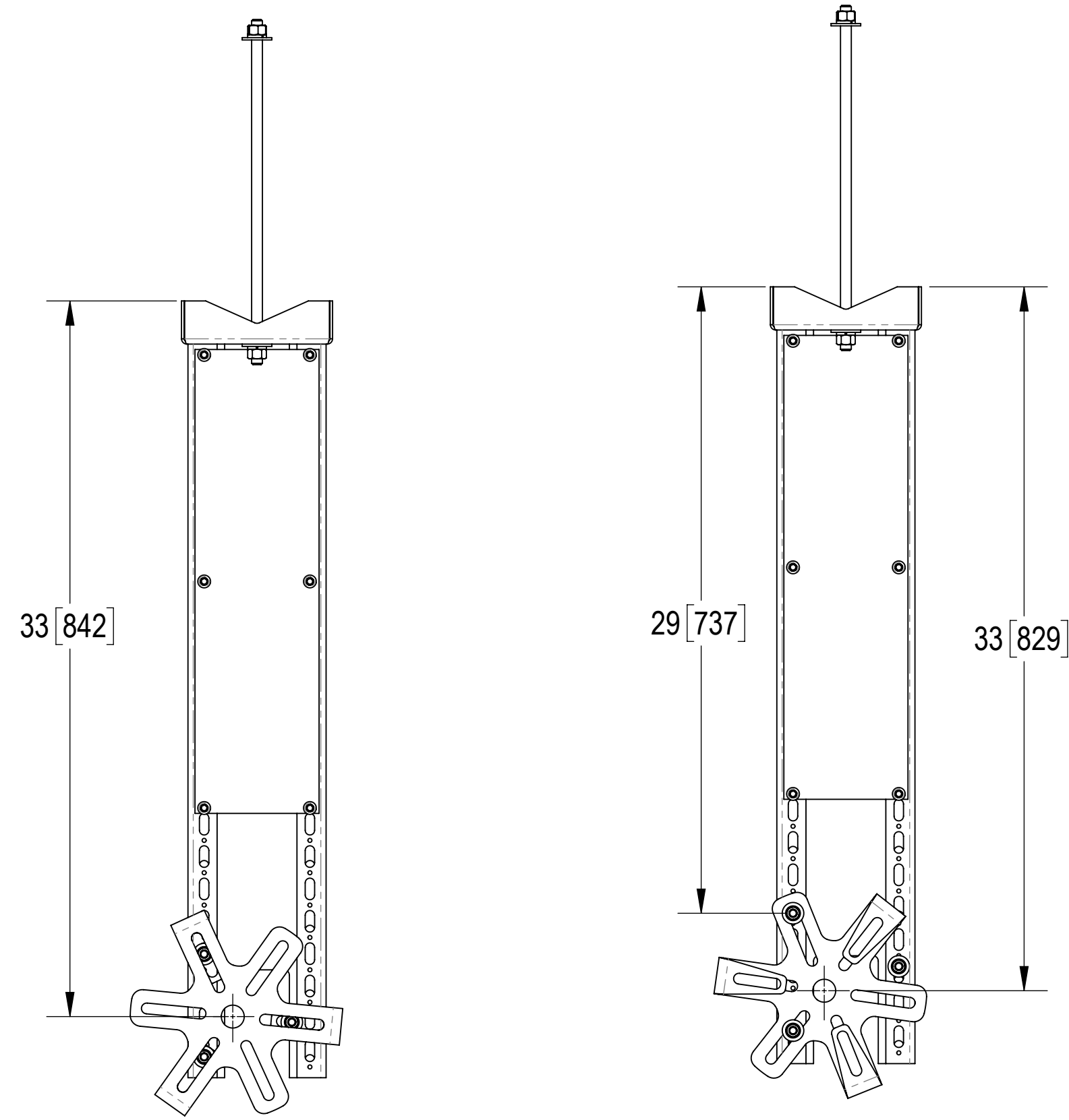
DENSITY	0.28	lbs/in ³
MASS	30.83	lbs
VOLUME	2027.68	in ³
SURFACE AREA	2569.04	in ²
HEIGHT	11.9[302]	
LENGTH	49.1[1246]	
WIDTH	6.4[163]	

© 2023 CommScope, Inc.

PATENT PENDING

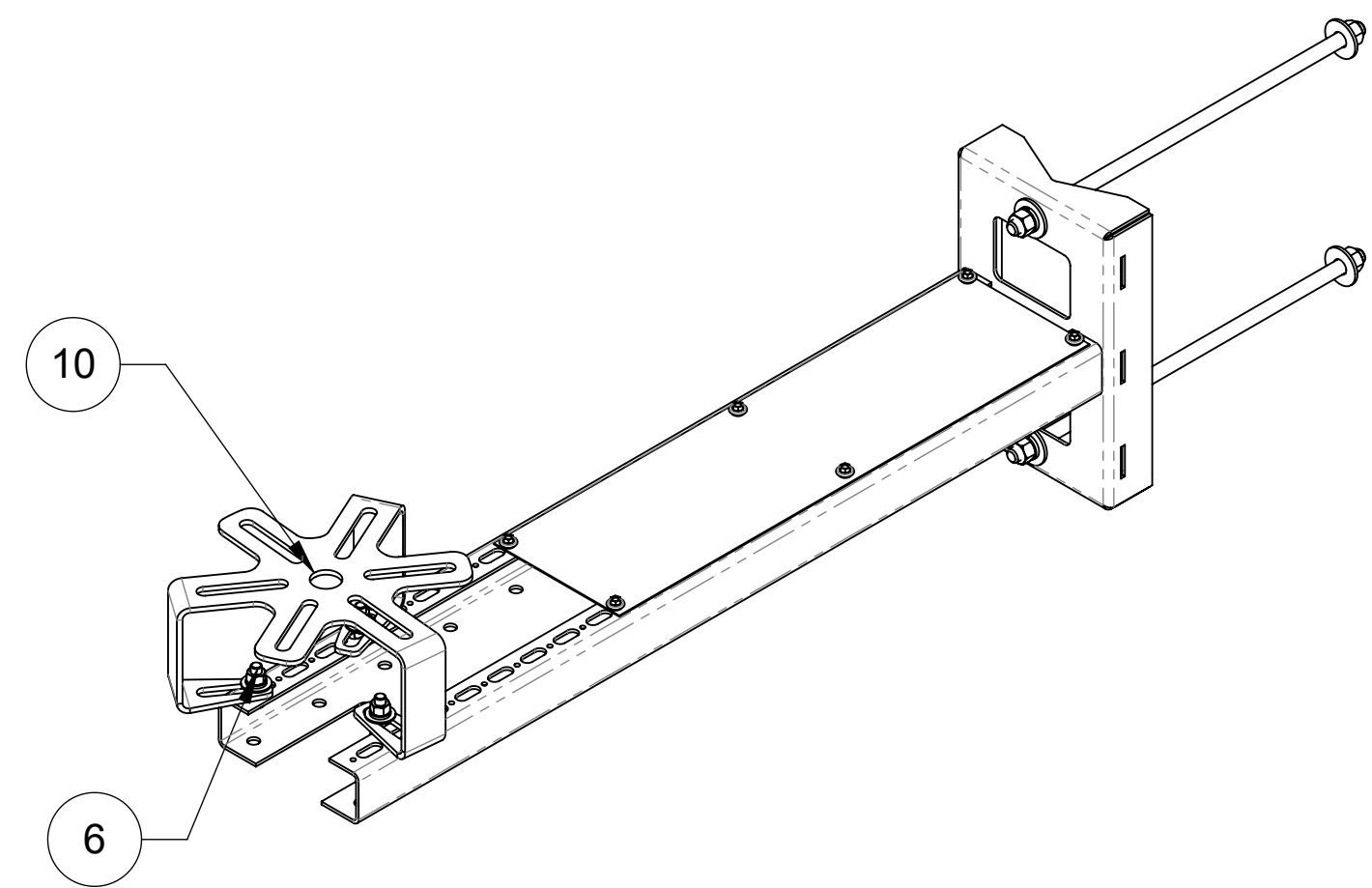
COMMSCOPE, INC. OF NORTH CAROLINA											
TOLERANCES						SAP MATERIAL MASTER					
0 PLACE X ± .25[6.4]			2 PLACE .XX ± 0.06[1.5]			SCSM3					
1 PLACE .X ± 0.12[3.0]			ANGLES ± 2°								
FINISH						MATERIAL					
SEE NOTE						A1011/A1018					
UNLESS OTHERWISE SPECIFIED DIMENSIONS ARE IN INCHES INTERPRET PER ANSI Y 14.5M-1994	NAME	DATE	TITLE								
	CE FA1024	01/15/2018	SMALL CELL SIDE MOUNT, 36" STANDOFF								
	RW ZL1057	03/14/2023									
	RV										
	AD DM1121	03/14/2023									
RE DM1121	03/14/2023										
ECN 008000031690	SCALE	DOCUMENT NO.	SCSM3								
SIZE	WORK AREA 24	MODEL			DRAWING						
C		VERSION	STATUS	REVISION	VERSION	STATUS	REVISION	SHEET			
		00	RE	G	00	RE	G	1 OF 2			

NOTES:

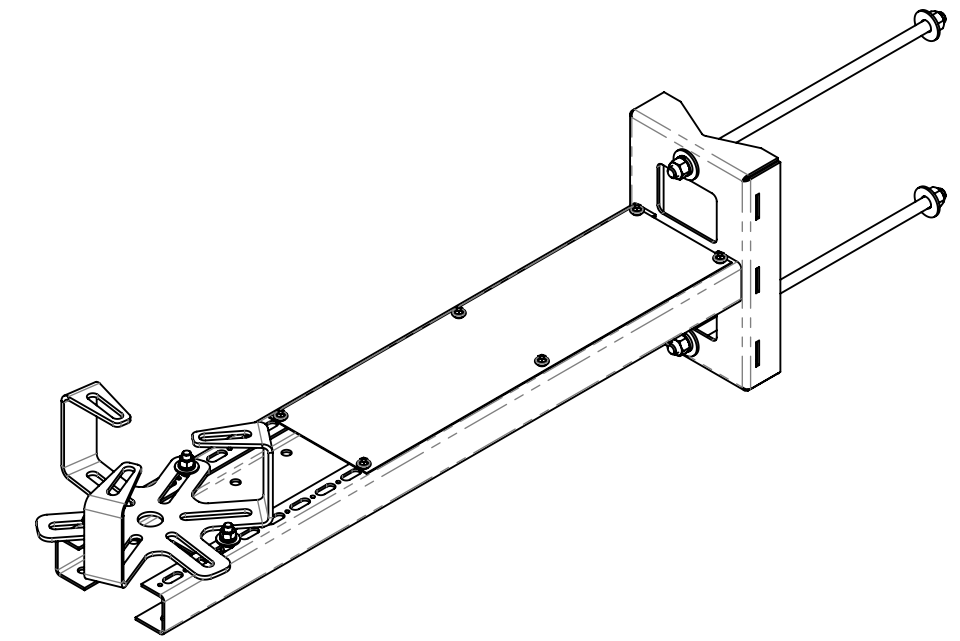


UNIVERSAL ANTENNA MOUNT

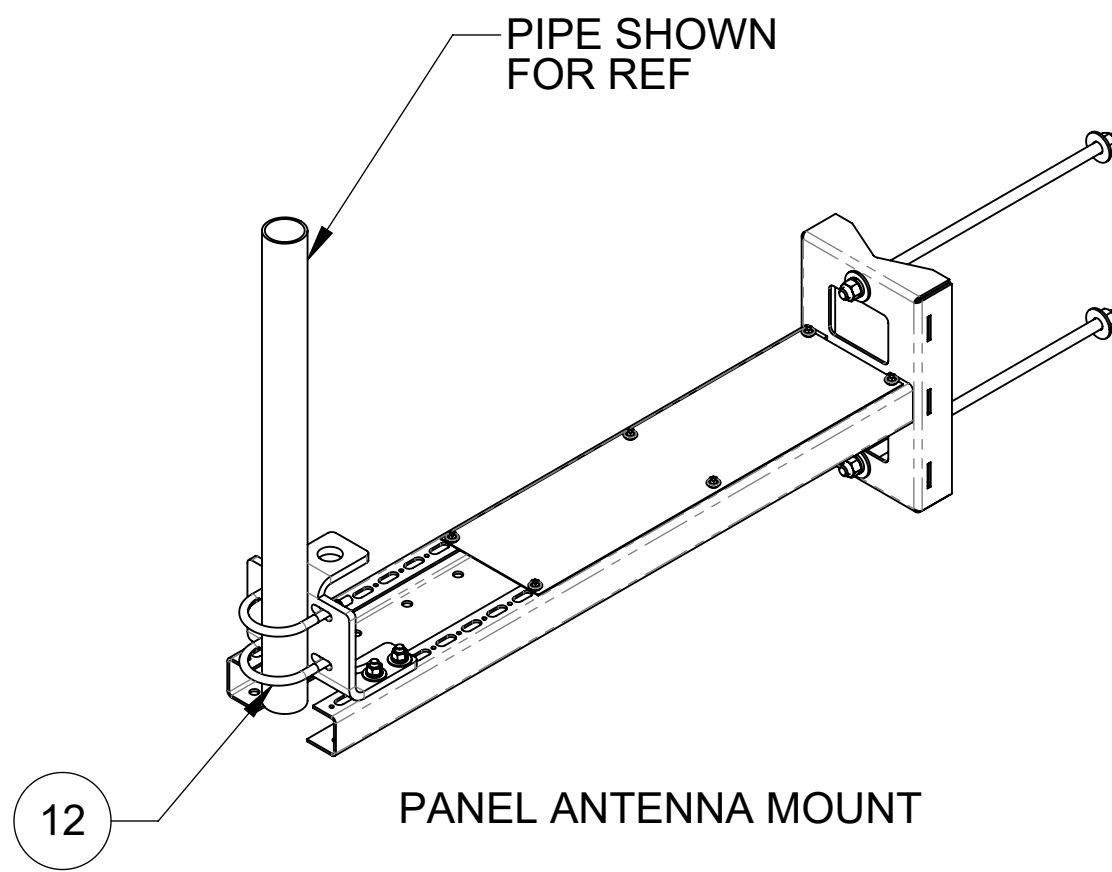
UNIVERSAL ANTENNA MOUNT FLIPPED



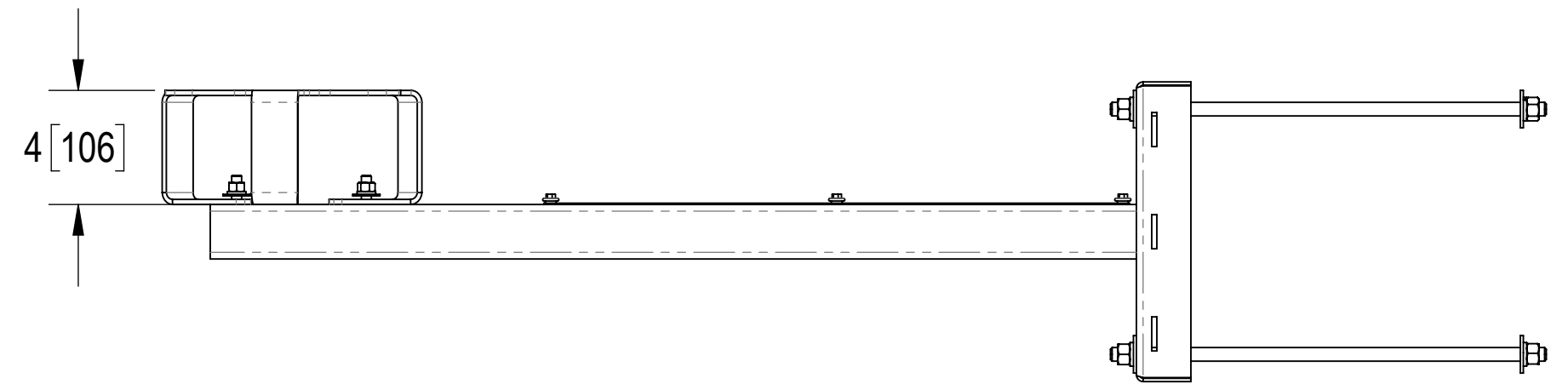
UNIVERSAL ANTENNA MOUNT SET-UP


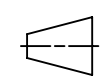


UNIVERSAL ANTENNA MOUNT SET-UP FLIPPED



PANEL ANTENNA MOUNT



COMMSCOPE, INC. OF NORTH CAROLINA				
TITLE SMALL CELL SIDE MOUNT, 36" STANDOFF				
SIZE C	SCALE 1:4	DOCUMENT NO. SCSM3		
 		DRAWING		SHEET 2 OF 2
		VERSION 04	STATUS RE	