



FACT® Fiber Optic Patch Chassis, gray, 3E high, 72-port, singlemode, holding 6 hinged trays loaded with LSH/APC adapters

- Designed for use with the all-purpose all-front-access FACT frames and FIST-GR3 frames supporting up to 2,688 LC or 1,344 SC connections in a single frame (FACT-IC frame 2880 LC or 1440 SC)
- Reduced installation and maintenance time via the toolless snap-on design supporting both interconnect and cross-connect applications
- Flexible customization enabled by 4 chassis types (patch-only, patch-splice, pre-cabled and splice-only) to support all ODF applications
- High density through the single FACT element height (1E) being 30% less tall compared to the industry standard panel height (1HU)

Product Classification

| | |
|------------------------------|---|
| Regional Availability | Asia Australia/New Zealand EMEA Latin America North America |
| Portfolio | CommScope® |
| Product Type | Fiber patch chassis |
| Product Brand | FACT® |
| Product Series | FACT |

General Specifications

| | |
|-------------------------------|---------------------------------------|
| Functionality | Patching |
| Application | Compatible with FIST-GR3-style frames |
| Body Style | Symmetrical |
| Color | Gray |
| Growth Configuration | Fully loaded |
| Interface, front | LSH/APC |
| Rack Type | EIA 19 in |
| Rack Units | 2.1 |
| Shelf Movement | Sliding |
| Total Ports, quantity | 72 |
| Transmission Standards | ETSI EN 300 019-1-3 IEC 61300-3-30 |

Dimensions

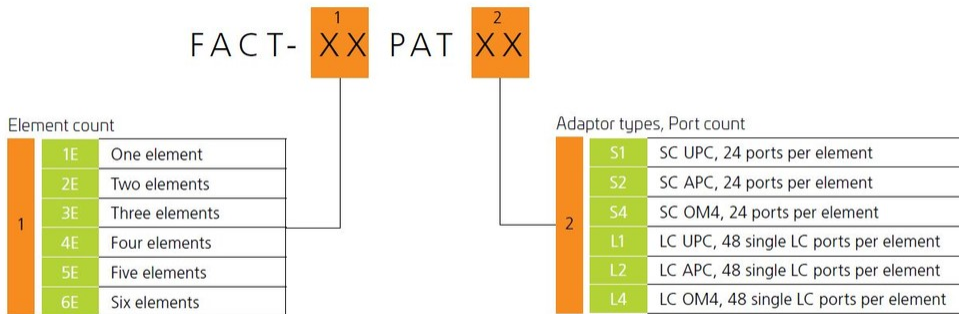
| | |
|---------------|---------------------|
| Height | 92.85 mm 3.656 in |
|---------------|---------------------|

760240425 | FACT-3EPATE9

Width 524 mm | 20.63 in

Depth 283 mm | 11.142 in

Ordering Tree



Environmental Specifications

Operating Temperature -40 °C to +70 °C (-40 °F to +158 °F)

Storage Temperature -20 °C to +85 °C (-4 °F to +176 °F)

Flammability Rating UL 94 V-0

Packaging and Weights

Included Mounting hardware for FACT frame

Packaging quantity 1

Regulatory Compliance/Certifications

Agency

CHINA-ROHS

ISO 9001:2015

REACH-SVHC

ROHS

UK-ROHS

Classification

Below maximum concentration value

Designed, manufactured and/or distributed under this quality management system

Compliant as per SVHC revision on www.commscope.com/ProductCompliance

Compliant

Compliant

