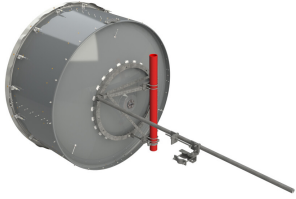


HX8-7W-2GF



2.4m | 8ft ValuLine® High Performance, High XPD Antenna, dual-polarized, 7.125 – 8.500 GHz, grey, PBR84 flange

Product Classification

Product Type	Microwave antenna
Product Brand	ValuLine®

General Specifications

Antenna Type	HX - ValuLine® High Performance, High XPD Antenna, dual-polarized
Polarization	Dual
Antenna Input	PBR84
Antenna Color	Gray
Reflector Construction	One-piece reflector
Radome Color	Gray
Radome Material	Fabric
Flash Included	Yes
Side Struts, Included	1
Side Struts, Optional	4

Dimensions

Diameter, nominal	2.4 m 8 ft
--------------------------	--------------

Electrical Specifications

Operating Frequency Band	7.125 – 8.500 GHz
Gain, Low Band	42.5 dBi
Gain, Mid Band	42.9 dBi
Gain, Top Band	43.3 dBi
Boresite Cross Polarization Discrimination (XPD)	33 dB
Front-to-Back Ratio	71 dB
Beamwidth, Horizontal	1.1 °

HX8-7W-2GF

Beamwidth, Vertical	1.1 °
Return Loss	26 dB
VSWR	1.1
Radiation Pattern Envelope Reference (RPE)	7390
Electrical Compliance	ACMA FX03_7p5a Brazil Anatel Class 2 ETSI 302 217 Class 3
Cross Polarization Discrimination (XPD) Electrical Compliance	ETSI EN 302217 XPD Category 2

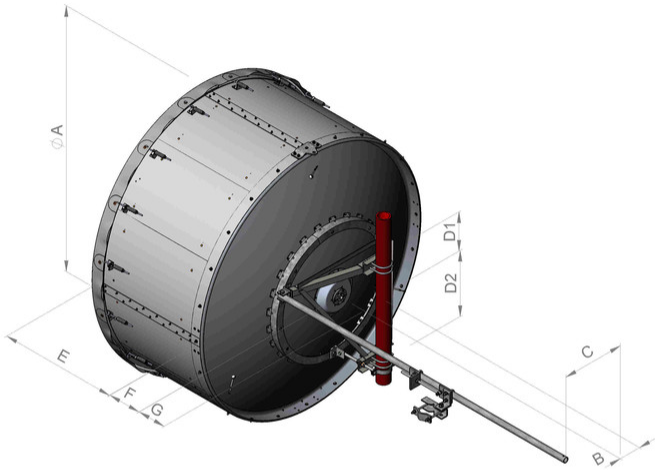
Mechanical Specifications

Compatible Mounting Pipe Diameter	115 mm 4.5 in
Fine Azimuth Adjustment Range	±5°
Fine Elevation Adjustment Range	±5°
Wind Speed, operational	180 km/h 111.847 mph
Wind Speed, survival	200 km/h 124.274 mph

HX8-7W-2GF

Antenna Dimensions and Mounting Information

HX8



Dimensions in inches (mm)								
Antenna size, ft (m)	A	B	C	D1	D2	E	F	G
8 (2.4)	95.1 (2416)	8.0 (203)	22.5 (572)	14.1 (357)	23.6 (600)	42.4 (1078)	12.1 (306)	10.3 (262)

Wind Forces at Wind Velocity Survival Rating

Axial Force (FA)

10599 N | 2,382.751 lbf

Angle α for MT Max

-140 °

Side Force (FS)

4594 N | 1,032.773 lbf

Twisting Moment (MT)

-6518 N-m | -57,689.16 in lb

Force on Inboard Strut Side

11263 N | 2,532.024 lbf

Zcg without Ice

532 mm | 20.945 in

Zcg with 1/2 in (12 mm) Radial Ice

675 mm | 26.575 in

Weight with 1/2 in (12 mm) Radial Ice

342 kg | 753.98 lb

HX8-7W-2GF

HX8-7W-2GF

Wind Forces at Wind Velocity Survival Rating Image



Packaging and Weights

Height, packed	2250 mm 88.583 in
Width, packed	1130 mm 44.488 in
Length, packed	2380 mm 93.701 in
Packaging Type	Standard pack
Volume	6.1 m ³ 215.42 ft ³
Weight, gross	318 kg 701.069 lb
Weight, net	187 kg 412.264 lb

Regulatory Compliance/Certifications

HX8-7W-2GF

Agency	Classification
CHINA-ROHS	Above maximum concentration value
ISO 9001:2015	Designed, manufactured and/or distributed under this quality management system
REACH-SVHC	Compliant as per SVHC revision on www.commscope.com/ProductCompliance
ROHS	Compliant/Exempted
UK-ROHS	Compliant/Exempted



* Footnotes

Operating Frequency Band

Bands correspond with CCIR recommendations or common allocations used throughout the world. Other ranges can be accommodated on special order.

Gain, Mid Band

For a given frequency band, gain is primarily a function of antenna size. The gain of Andrew antennas is determined by either gain by comparison or by computer integration of the measured antenna patterns.

Boresite Cross Polarization Discrimination (XPD)

The difference between the peak of the co-polarized main beam and the maximum cross-polarized signal over an angle twice the 3 dB beamwidth of the co-polarized main beam.

Front-to-Back Ratio

Denotes highest radiation relative to the main beam, at $180^\circ \pm 40^\circ$, across the band. Production antennas do not exceed rated values by more than 2 dB unless stated otherwise.

Return Loss

The figure that indicates the proportion of radio waves incident upon the antenna that are rejected as a ratio of those that are accepted.

VSWR

Maximum; is the guaranteed Peak Voltage-Standing-Wave-Ratio within the operating band.

Radiation Pattern Envelope Reference (RPE)

Radiation patterns define an antenna's ability to discriminate against unwanted signals. Under still dry conditions, production antennas will not have any peak exceeding the current RPE by more than 3dB, maintaining an angular accuracy of $\pm 1^\circ$ throughout

Cross Polarization Discrimination (XPD) Electrical Compliance

The difference between the peak of the co-polarized main beam and the maximum cross-polarized signal over an angle twice the 3 dB beamwidth of the co-polarized main beam.

Wind Speed, operational

For VHLP(X), SHP(X), HX and USX antennas, the wind speed where the maximum antenna deflection is $0.3 \times$ the 3 dB beam width of the antenna. For other antennas, it is defined

HX8-7W-2GF

as a deflection is equal to or less than 0.1 degrees.

Wind Speed, survival

The maximum wind speed the antenna, including mounts and radomes, where applicable, will withstand without permanent deformation. Realignment may be required. This wind speed is applicable to antenna with the specified amount of radial ice.

Axial Force (FA)

Maximum forces exerted on a supporting structure as a result of wind from the most critical direction for this parameter. The individual maximums specified may not occur simultaneously. All forces are referenced to the mounting pipe.

Side Force (FS)

Maximum side force exerted on the mounting pipe as a result of wind from the most critical direction for this parameter. The individual maximums specified may not occur simultaneously. All forces are referenced to the mounting pipe.

Twisting Moment (MT)

Maximum forces exerted on a supporting structure as a result of wind from the most critical direction for this parameter. The individual maximums specified may not occur simultaneously. All forces are referenced to the mounting pipe.

Packaging Type

Andrew standard packing is suitable for export. Antennas are shipped as standard in totally recyclable cardboard or wire-bound crates (dependent on product). For your convenience, Andrew offers heavy duty export packing options.