

BUDI-M-FPS

Contents

| | | | | | |
|----|--|---|------------|--|----------|
| 1. | General product information | 1 | 8.1. | Feeder Cable Seal Preparation..... | 2 |
| 2. | Warnings and caution | 1 | 8.2. | Dielectric Feeder Cable Preparation..... | 3 |
| 3. | Product images | 1 | 8.3. | Armored Feeder Cable Preparation | 4 |
| 4. | Kit Contents | 2 | 8.4. | Fiber Routing and Splicing | 4 |
| 5. | Optional Accessories | 2 | 9. | Drop Cable Installation | 6 |
| 6. | Open the Box | 2 | 10. | Close and Seal the Box | 7 |
| 7. | Mount the Box | 2 | 11. | Trade-marks | 8 |
| 8. | Splice only application | 2 | 12. | Contact information | 8 |

1. General product information

The BUDI-M-FPS is a family of plastic indoor/outdoor UL listed wall mounted fiber splitter terminals for use in MDU & FTTB applications. The terminals are equipped with either a 1x64 splitter or a 1x32 splitter. In addition to providing 64 or 32 output fibers via the splitters, the terminal is also equipped with 24 additional connectors with pigtailed or a pre-terminated indoor-outdoor cable to provide non-split or pass thru fiber services. The 24 fibers are terminated to fiber ports 67 - 90.

4 BUDI-M-FPS configurations are available:

- 1x64 Splice Only (Customer will need to splice in a feeder cable)
- 1x64 Pre-Term (Equipped with 24f indoor/outdoor cable)
- 1x32 Splice Only (Customer will need to splice in a feeder cable)
- 1x32 Pre-Term (Equipped with 24f indoor/outdoor cable)

2. Warnings and caution

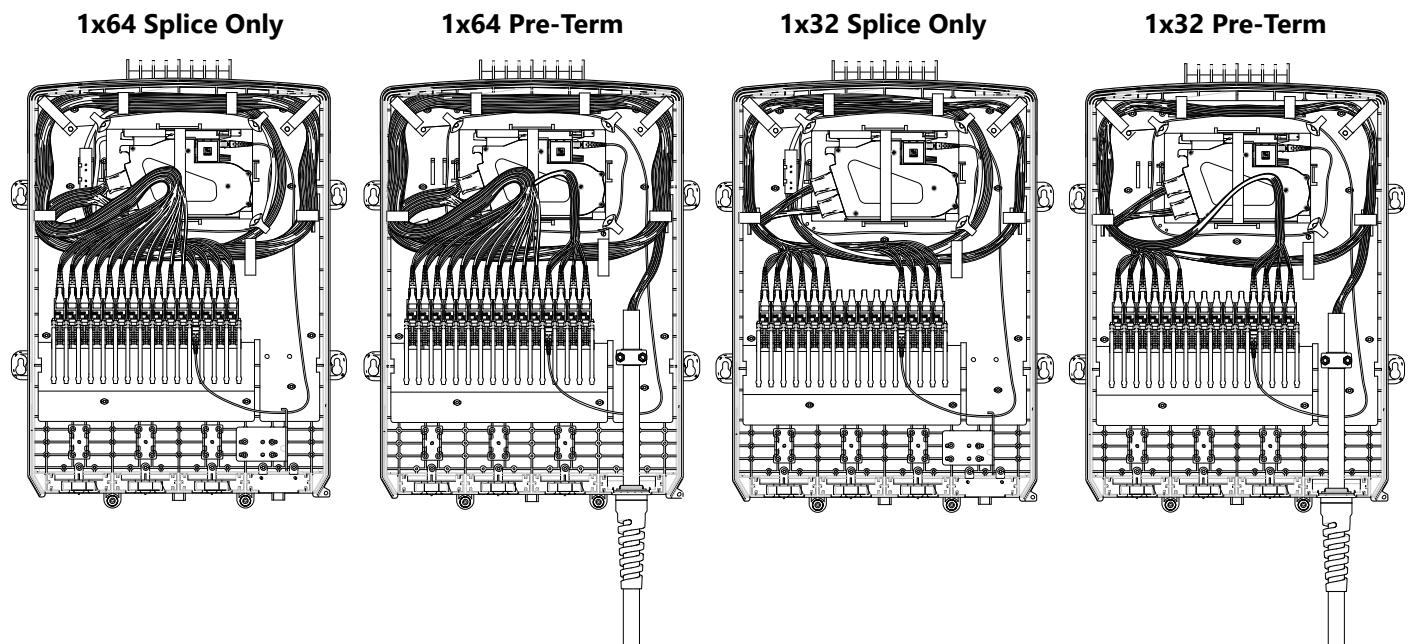
IMPORTANT INSTRUCTIONS

- Read and understand all instructions
- Follow all warnings and instructions marked on the product

SAVE THESE INSTRUCTIONS!

Risk of Injury! Hazardous Light when fiber is exposed. Wear appropriate protective eyewear when installing or servicing fiber.

3. Product images



4. Kit Contents

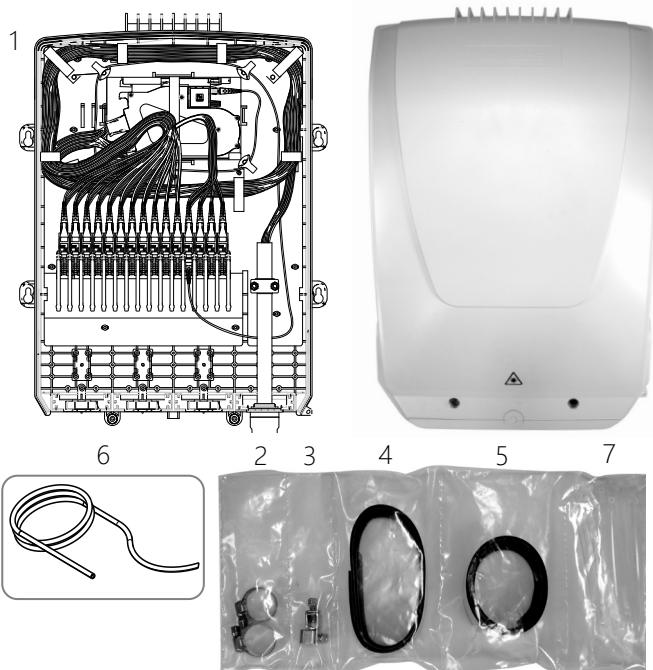
4.1. Each BUDI box equipped with:

| | Description |
|---|---|
| 1 | Budi housing with pre-installed parts as shown * |
| 2 | Hose clamps (to secure feeder cable)** |
| 3 | Lugs (to secure feeder cable strength member)** |
| 4 | Felt tape (to secure the drop cable) |
| 5 | Foam (to seal the cable)** |
| 6 | Transportation tube 40" *** ** |
| 7 | Tie-wraps (to secure drop cables and transportation tubes***) |

* BUDI-M pre-term with 1x64 splitter shown below. Includes a port assignment label located inside the box cover (see picture in section 8.1).

** Splice configuration only.

*** Transportation tube only used if existing core tube need to be replaced.



5. Optional Accessories (Sold Separately)*

5.1. Grounding Kit for use with armored cable.

5.2. Cable Skirts

Plastic and aluminum skirts are available in various sizes.

5.3. Expansion Kits

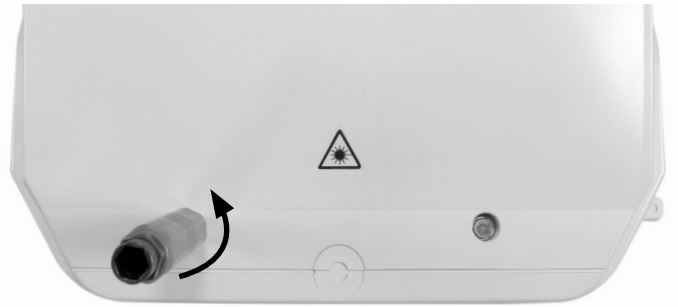
Note: The following item is for adding a second 1x32 splitter.

- 1x32 PnP Splitter Kit

* See BUDI-M ordering information for additional accessories.

6. Open the Box

6.1. Rotate quarter turn fasteners counterclockwise to unlock, pull bottom of cover away from base and lift off cover.



7. Mount the Box

7.1. Place the base against the wall and mark the mounting positions.

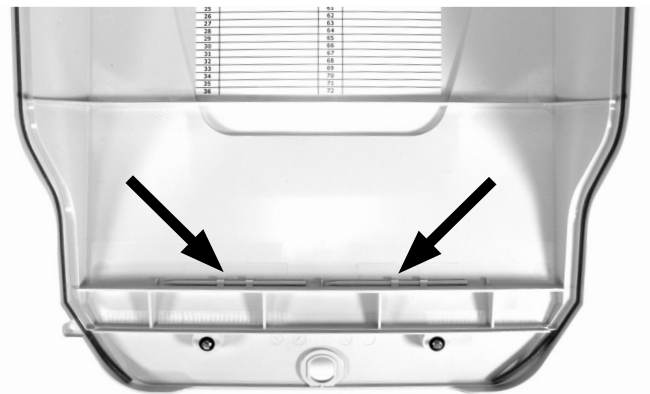
7.2. Mount per approved local practice.

Please Note: Due to different local mounting practices, no mounting hardware is provided with the box.

8. Splice only application

8.1. Feeder Cable Seal Preparation

8.1.1. Locate the release pins from inside the box cover. These pins are used to easily & quickly disassemble the feeder cable entry plate to allow for feeder cable installation.

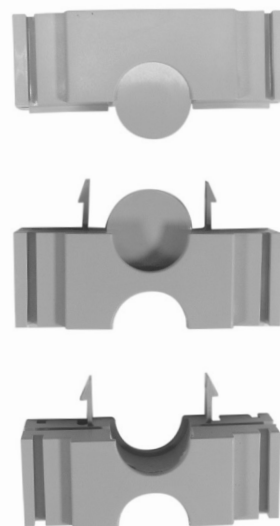
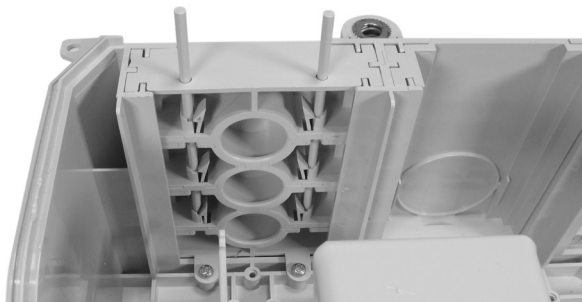


Note: Release pin shown below.

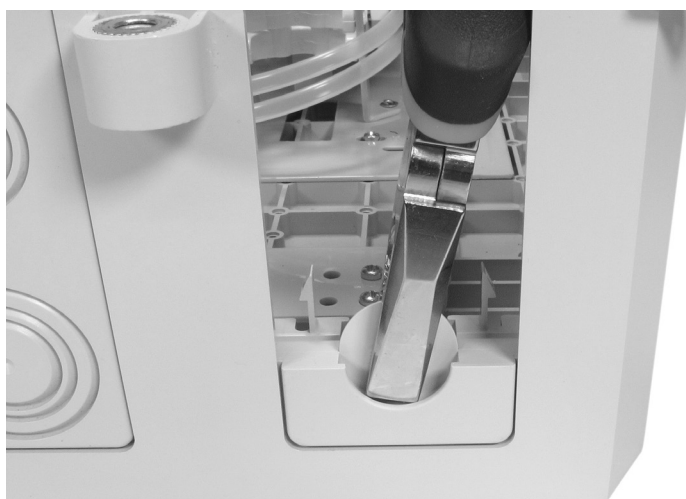


8.1.2. Insert each release pin in the plate guides and slide until they disengage both sets of latches. Once the latches are disengaged, pull the front and middle sections of the entry plate away from the box. Both the front and middle sections will slide out.

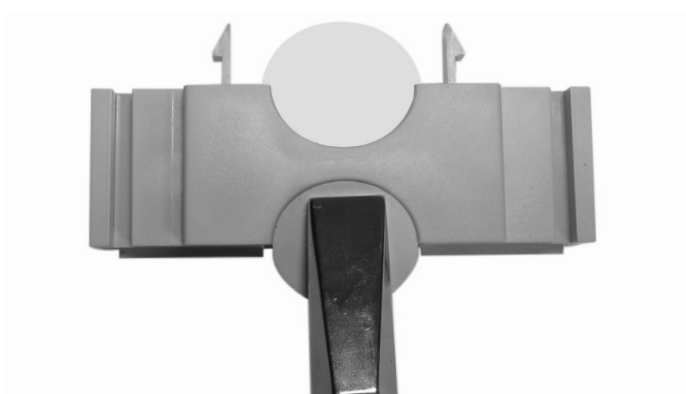
Note: If release pins are not available, the plate guides can be disengaged manually by hand or by using a flat head screwdriver.



8.1.3. Using a pair of pliers remove the thin plastic knockout from the rear entry plate. Grip the knockout with the pliers and pull the handle down peeling the knock out away thus opening the port.



8.1.4. Repeat step 9.3 to remove the corresponding knock out in middle section of the cable entry plate. Once both sides are removed the port is fully open.



8.1.5. Place the removed (middle & front) section of cable entry plate to the side and prepare the feed cable.

(Shown on the picture in the next column)

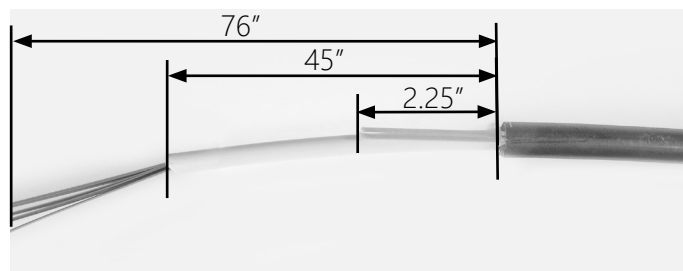
8.2. Dielectric Feeder Cable Preparation

8.2.1. Prepare cable

Ribbon fiber length: **76"** (length from ring cut to end of ribbons).

Central core tube length: **45"** (ring cut to end of core tube).

Strength member length: **2.25"** (ring cut to end of strength member).

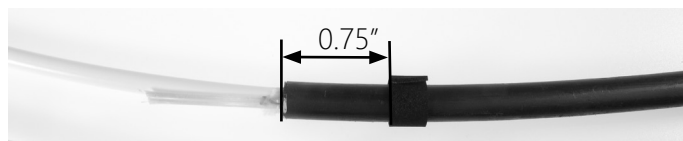


Note: Above photo not shown to scale.

8.2.2. Cut a piece foam (length according to table below).

| Cable diameter [Inches (mm)] | Foam [Inches (mm)] |
|-------------------------------------|---------------------------|
| 0.551 (14) | 6.00 (155) |
| 0.591 (15) | 5.50 (140) |
| 0.630 (16) | 5.00 (125) |
| 0.669 (17) | 4.50 (110) |
| 0.709 (18) | 3.75 (95) |
| 0.748 (19) | 3.50 (85) |
| 0.787 (20) | 3.00 (75) |

8.2.3. Placement of cable seal foam around cable (ring cut to top of foam): **0.75"**. At this place the seal foam will line-up with the entry plate cavity (see photo in 9.4).



8.2.4. Attach cable strength member to strength member bracket with supplied strength member lug.

Note: Check the seal foam around the cable that it falls into the cavity of the entry plate.



8.2.5. Attach cable directly to strain relief bracket with supplied hose clamp as shown. **Note:** Leave some clearance between jacket end and hose clamp.



8.2.6. Reassemble the cable seal plates.

Note: The foam on the cables should be sandwiched between the back and middle entry plates to create a seal.



8.3. Armored Feeder Cable Preparation

8.3.1. Prepare cable:

Ribbon fiber length: **76"** (length from ring cut to end of ribbons).

Central core tube length: **45"** (ring cut to end of core tube).

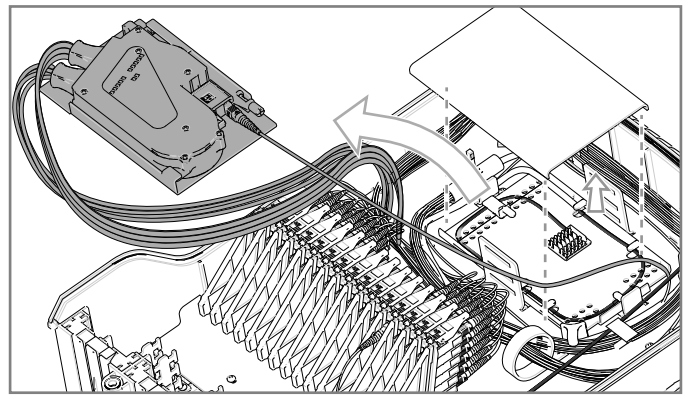
8.3.2. Bond cable and attach strength members per diagram on packet of 4460D\FO bond clamp kit.

8.3.3. For feeder cable installation refer to Section 8.2.2 through 8.2.6 to proceed.

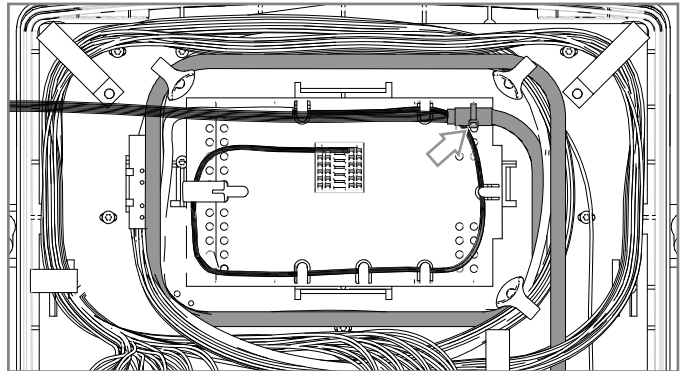
8.3.4. Attach ground wire per grounding kit installation instructions.

8.4. Fiber Routing and Splicing

8.4.1. Remove splitter with mounting plate and set aside to gain access to splice tray. Lift the top cover of the tray to make the splice holder accessible.

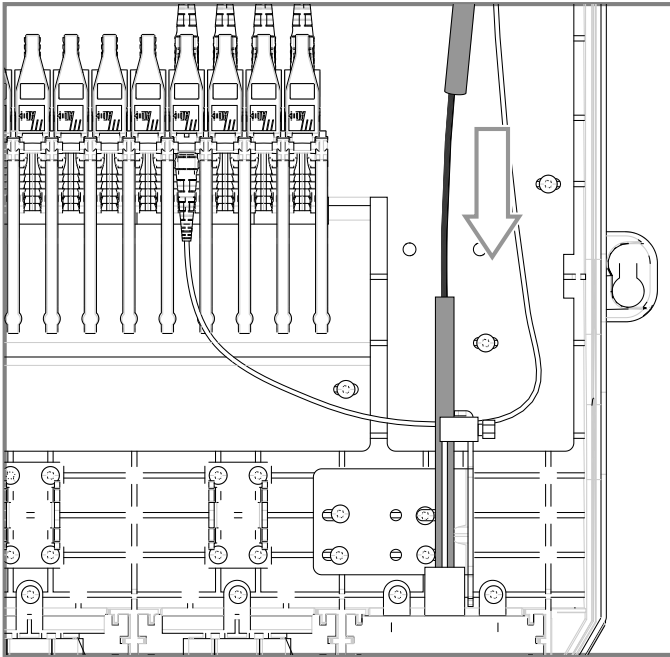


8.4.2. Route central core tube to splice tray and attach with felt tape and cable ties (see illustration below).

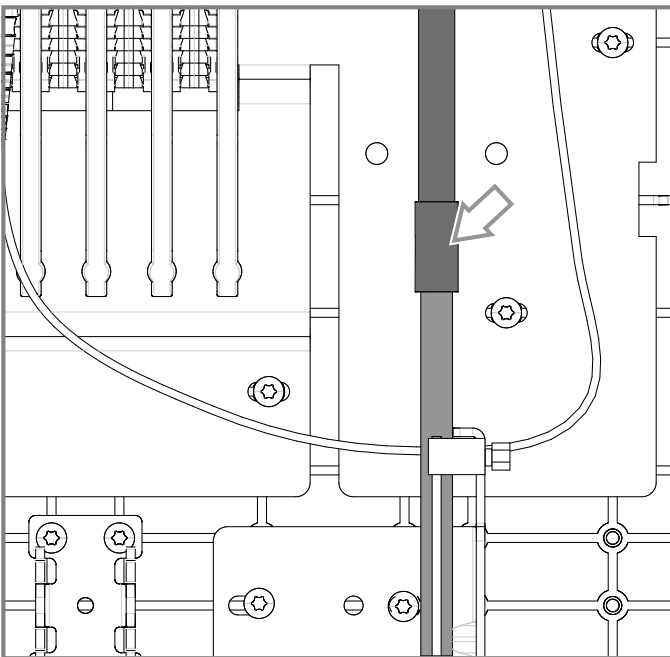


8.4.3. If existing core tubing needs to be replaced, cut central core tube to a length of 4".

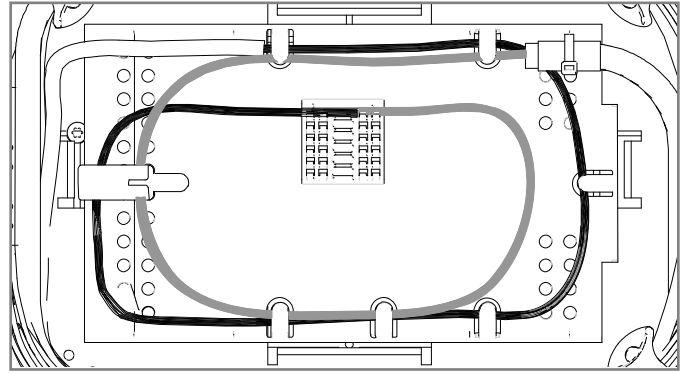
8.4.4. Slide transportation tubing (approx. 40") over the feeder ribbon fibers.



8.4.5. Attach transportation tubing to core tube using felt tape.

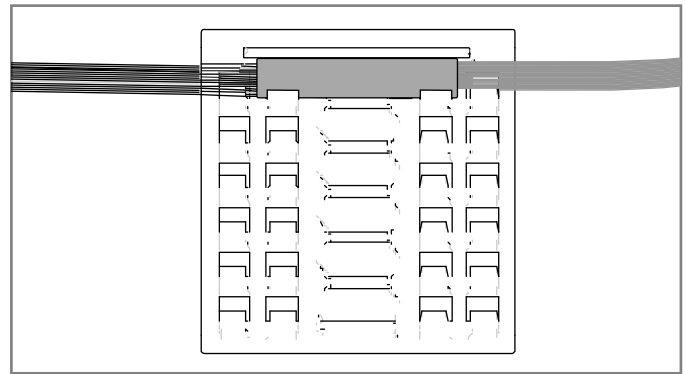


8.4.6. Route bare ribbon into splice tray.

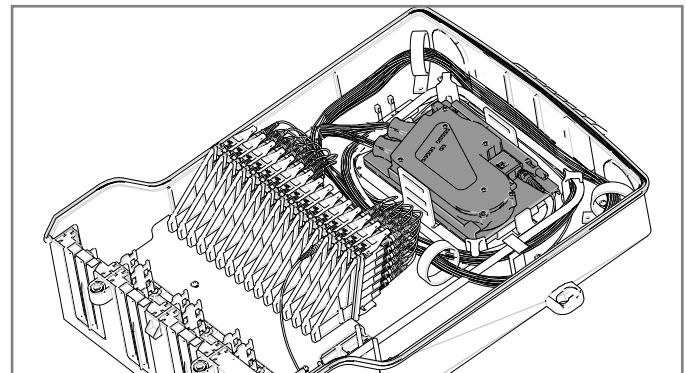


Note: Fiber splicing should be done in compliance with company-approved practices. This section outlines some basic splice organizing techniques to be followed.

8.4.7. Make splice per local practice and store splice protector centered in the splice protector holder.

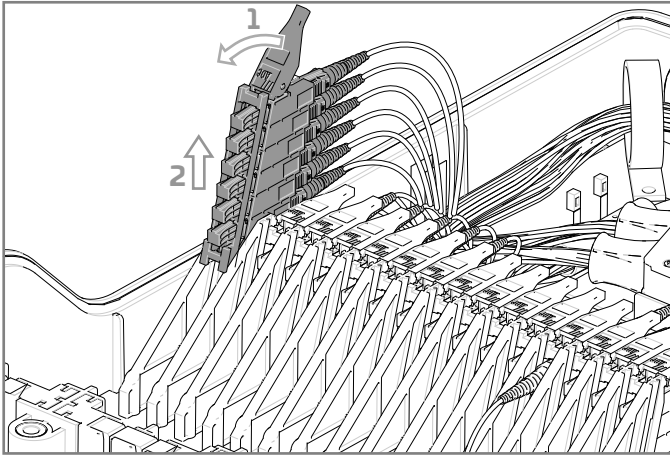


8.4.8. When splicing has been completed, re-install top cover on the tray, re-install splitter with mounting plate and secure with fastener.

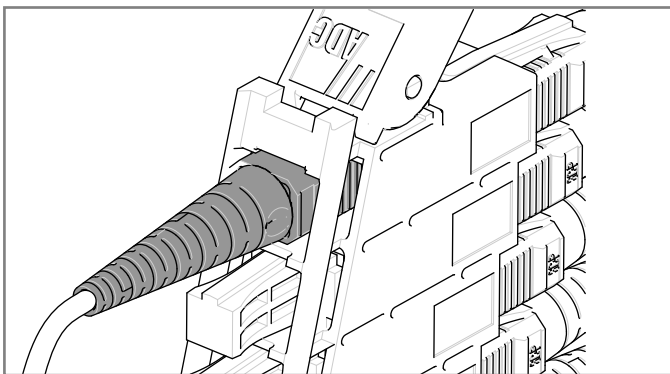
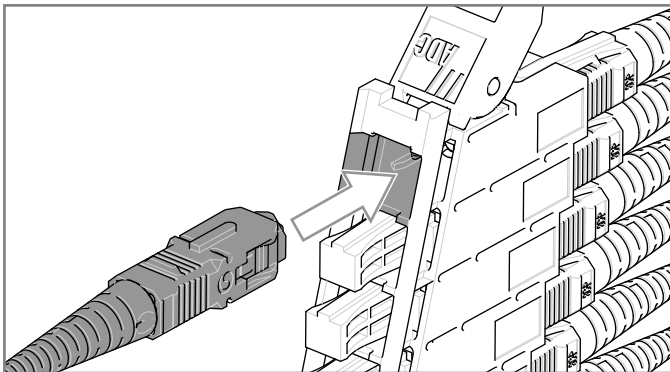


9. Drop Cable Installation

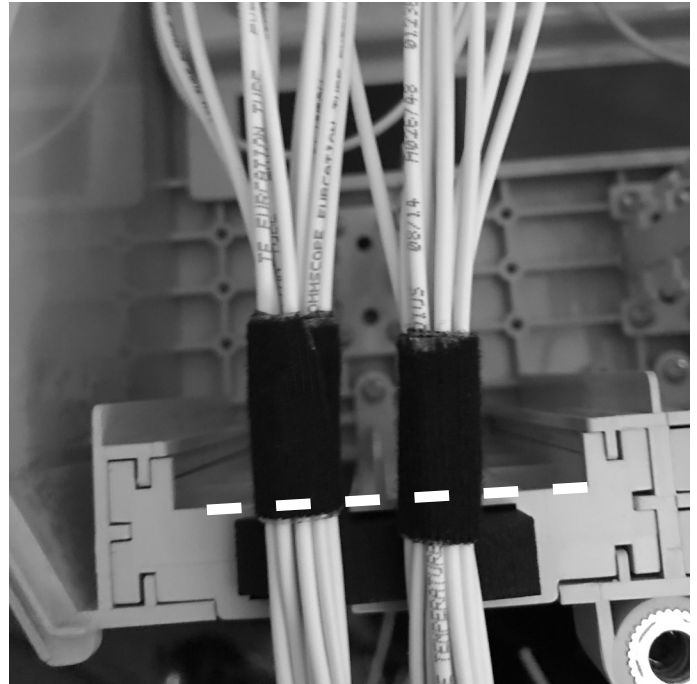
9.1. Pull handle forward and move sliding adapter pack outward to access individual fiber ports.



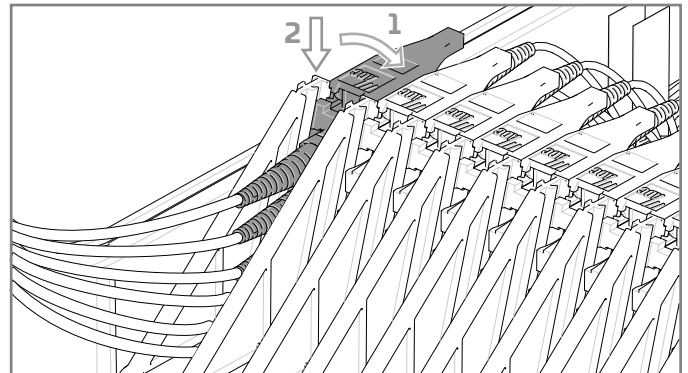
9.2. Remove the dust caps from both the selected port and the connector on the drop cable. Clean fibers per local approved practice and terminate fiber to selected port.



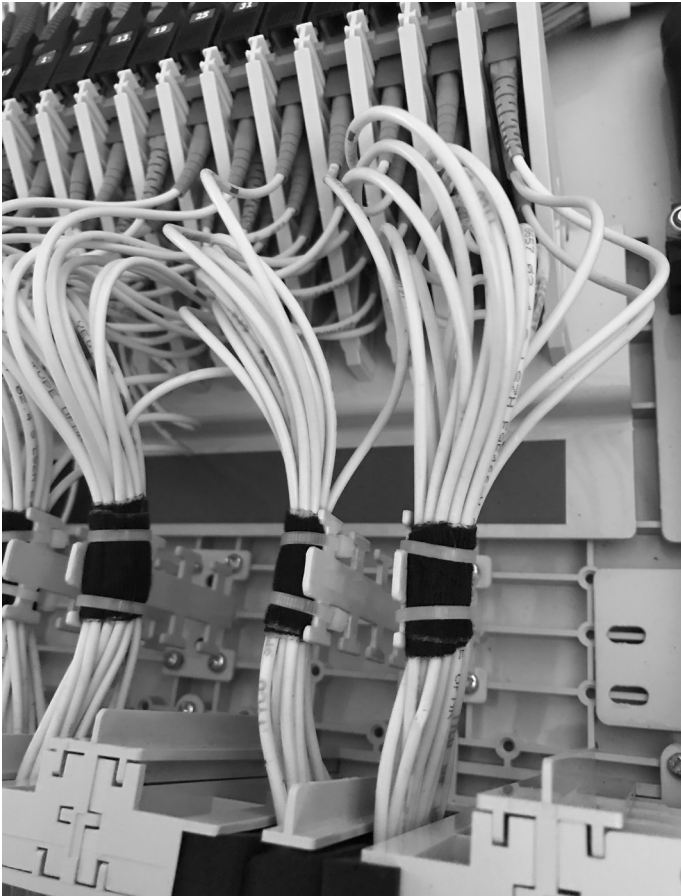
9.3. Repeat step 9.2 to connect all required drop cables. Make a bundle of maximum 18 drop cables. With the adapter pack still in the raised position, wrap a layer of felt tape around the drop cables at a point where the bottom of the felt tape is level with the top of the port seal (see photo below). This will insure there is slack in the drop cables when the adapter pack slides back into the chassis.



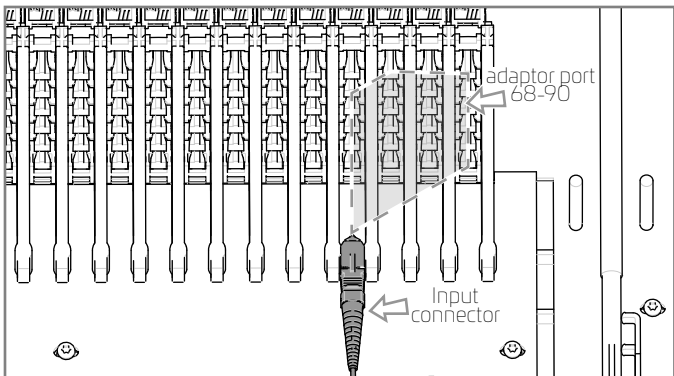
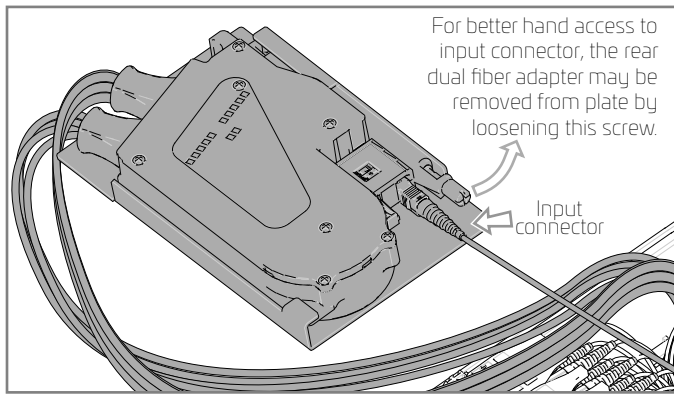
9.4. Lower sliding adapter pack back into chassis.



9.5. Secure the bundle of drop cables with cable ties to the T-shapes of the drop cable bracket.



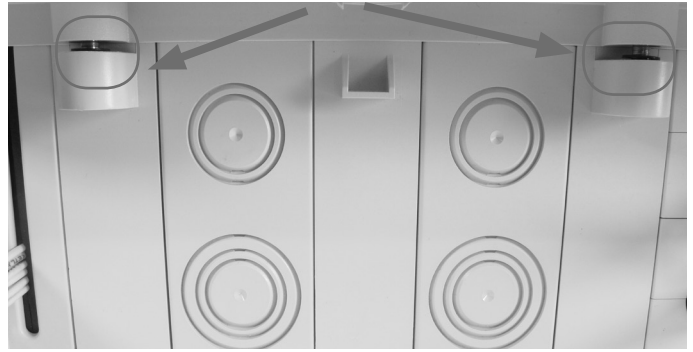
9.6. Splitter Input Jumper Installation. A blue SC/APC jumper has been provided and was factory installed between Port 67 and the splitter input port. Jumper can be re-installed to ports 68 to 90 if needed per customer requirements.



10. Close and Seal the Box

10.1. Verify that the cover is installed properly with no space between the housing and cover as shown.

Incorrect Alignment



Correct Alignment



10.2. Secure by turning the locking screw clockwise.



11. Trade-marks

All trademarks identified by ® or ™ are registered trademarks or trademarks, respectively, of CommScope, Inc. This document is for planning purposes only and is not intended to modify or supplement any specifications or warranties relating to CommScope products or services. CommScope is committed to the highest standards of business integrity and environmental sustainability, with a number of CommScope's facilities across the globe certified in accordance with international standards, including ISO 9001, TL 9000, and ISO 14001.

Further information regarding CommScope's commitment can be found at www.commscope.com/About-Us/Corporate-Responsibility-and-Sustainability.

12. Contact information

Visit our website or contact your local CommScope representative for more information.

For technical assistance, customer service, or to report any missing/damaged parts, visit us at:
<http://www.commscope.com/SupportCenter>

This product may be covered by one or more U.S. patents or their foreign equivalents. For patents, see www.cs-pat.com.