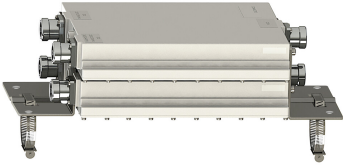


E11F02P17



Twin Diplexer, FDD/TDD 2600, dc pass on all ports

- Twin configuration

Product Classification

Product Type Diplexer

General Specifications

Product Family CBC2526

Color Gray

Common Port Label COM

Modularity 2-Twin

Mounting Pole | Wall

Mounting Pipe Hardware Band clamps (2)

RF Connector Interface 7-16 DIN Female

RF Connector Interface Body Style Medium neck

Dimensions

Height 270 mm | 10.63 in

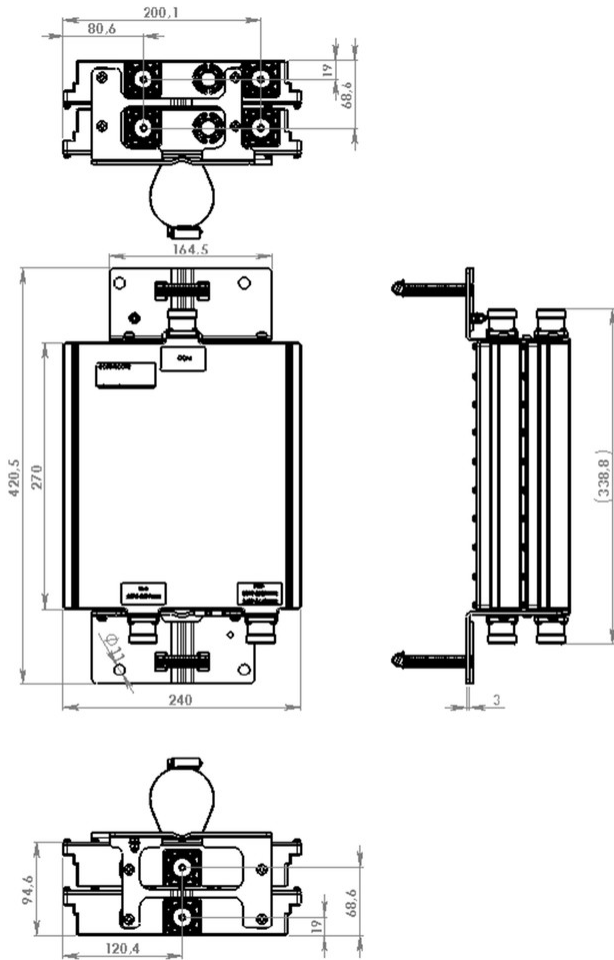
Width 239 mm | 9.409 in

Depth 105 mm | 4.134 in

Mounting Pipe Diameter Range 42.6–122 mm

E11F02P17

Outline Drawing



Electrical Specifications

Impedance	50 ohm
License Band, Band Pass	IMT 2600 TDD 2600

Electrical Specifications, Common Port

Composite Power, RMS	200 W
-----------------------------	-------

Electrical Specifications, dc Power/Alarm

dc/AISG Pass-through, combiner	Branch 1 Branch 2
dc/AISG Pass-through, demultiplexer	Branch 1 Branch 2
Lightning Surge Current	3 kA

E11F02P17

Lightning Surge Current Waveform

10/350 waveform

Electrical Specifications

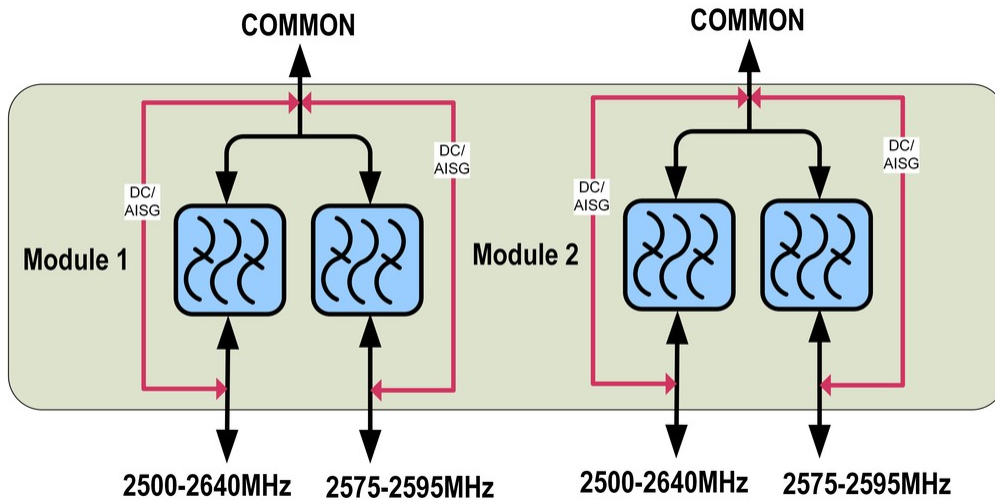
Sub-module	1 2	1 2
Branch	1	2
Port Designation	FDD 2500-2520/2620-2640	TDD 2575-2595
License Band	IMT 2600, Band Pass	TDD 2600, Band Pass

Electrical Specifications, Band Pass

Frequency Range, MHz	2500–2520 2620–2640	2575–2595
Insertion Loss, maximum, dB	0.9	1.2
Insertion Loss, typical, dB	0.7	1
Return Loss, minimum, dB	18	18
Isolation, minimum, dB	90	90

E11F02P17

Block Diagram



Environmental Specifications

Operating Temperature	-40 °C to +65 °C (-40 °F to +149 °F)
Corrosion Test Method	IEC 60068-2-11, 30 days
Ingress Protection Test Method	IEC 60529:2001, IP67

Packaging and Weights

Included	Mounting hardware
Volume	6.1 L
Weight, net	8.6 kg 18.96 lb

Regulatory Compliance/Certifications

Agency	Classification
ISO 9001:2015	Designed, manufactured and/or distributed under this quality management system