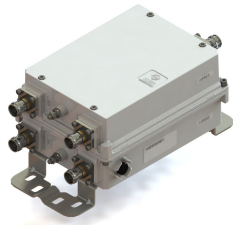


# E11F13P46-V



Twin Diplexer, 700/900 MHz, RJ40, dc block on all ports with hybrid connectors 4.3-10 input and 7/16 output

- Industry leading PIM performance
- dc/AISG blocking on all ports
- Twin configuration
- Hybrid connectors 4.3-10 input and 7/16 output

This product will be discontinued on: December 30, 2024

Replaced By:

E14F05P89

Ultra Compact Twin Diplexer 700-800/900, 4.3-10 connectors

## Product Classification

**Product Type** Diplexer

## General Specifications

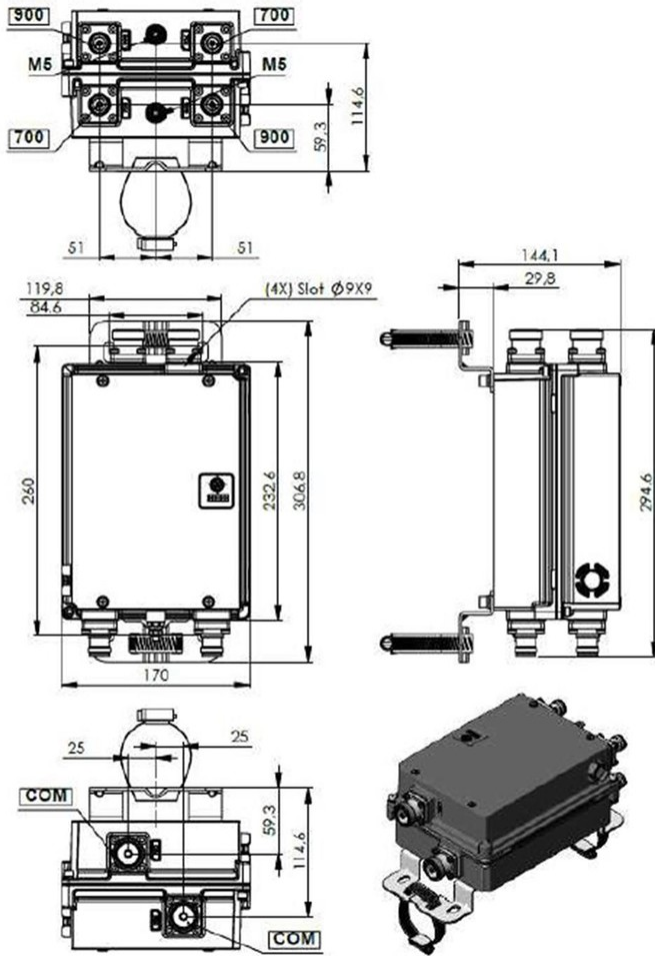
|  |                                 |
|--|---------------------------------|
| <b>Product Family</b>                    | CBC79X                          |
| <b>Color</b>                             | Gray                            |
| <b>Common Port Label</b>                 | Port 3                          |
| <b>Modularity</b>                        | 2-Twin                          |
| <b>Mounting</b>                          | Pole   Wall                     |
| <b>Mounting Pipe Hardware</b>            | Band clamps (2)                 |
| <b>RF Connector Interface</b>            | 4.3-10 Female   7-16 DIN Female |
| <b>RF Connector Interface Body Style</b> | Long neck                       |

## Dimensions

|                                     |                    |
|-------------------------------------|--------------------|
| <b>Height</b>                       | 307 mm   12.087 in |
| <b>Width</b>                        | 170 mm   6.693 in  |
| <b>Depth</b>                        | 144 mm   5.669 in  |
| <b>RF Connector Length</b>          | 25 mm   0.984 in   |
| <b>Ground Screw Diameter</b>        | 5 mm   0.197 in    |
| <b>Mounting Pipe Diameter Range</b> | 42.6–122 mm        |

# E11F13P46-V

## Outline Drawing



## Electrical Specifications

**Insertion Loss Ripple, maximum**

0.2 dB

**Electrical Safety Standard**

EN 60950

**Electromagnetic Compatibility/Interference (EMC/EMI)**

EN 55022 | ETSI 301 489-1 V1.8.1

**Impedance**

50 ohm

**License Band, Band Pass**

APT 700 | CEL 900 | EDD 800 | LMR 750

## Electrical Specifications, dc Power/Alarm

**dc/AISG Pass-through Method**

No dc/AISG pass-through

**dc/AISG Pass-through, combiner**

dc/AISG blocking on all ports

**dc/AISG Pass-through, demultiplexer**

dc/AISG blocking on all ports

# E11F13P46-V

---

|   |               |
|---|---------------|
| <b>Lightning Surge Current</b>          | 10 kA         |
| <b>Lightning Surge Current Waveform</b> | 8/20 waveform |

## Electrical Specifications

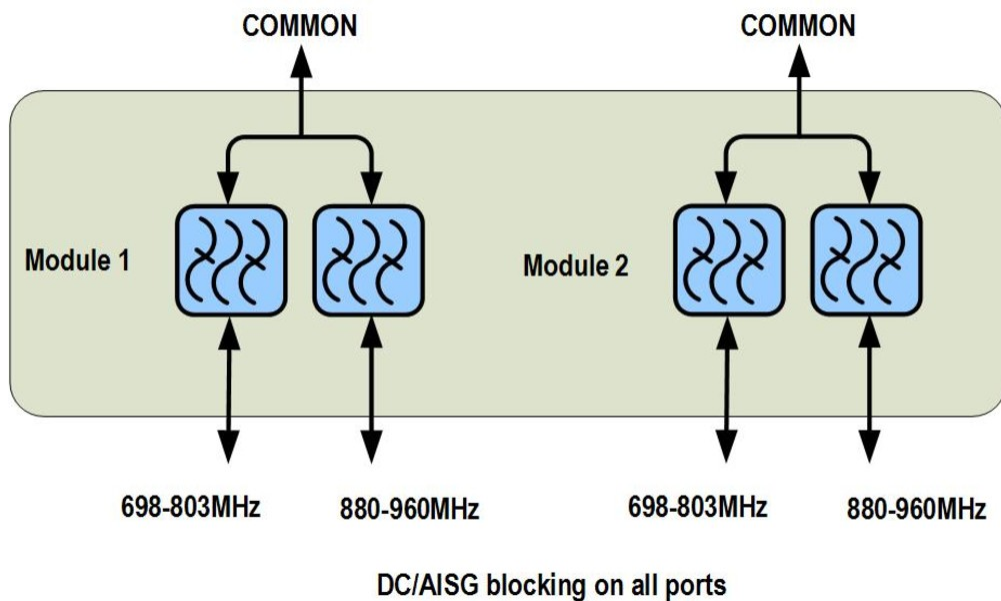
|                         |                    |                    |
|-------------------------|--------------------|--------------------|
| <b>Sub-module</b>       | <b>1   2</b>       | <b>1   2</b>       |
| <b>Branch</b>           | 1                  | 2                  |
| <b>Port Designation</b> | 698-803            | 880-960            |
| <b>License Band</b>     | APT 700, Band Pass | CEL 900, Band Pass |

## Electrical Specifications, Band Pass

|                                     |                      |                      |
|-------------------------------------|----------------------|----------------------|
| <b>Frequency Range, MHz</b>         | <b>698–803</b>       | <b>880–960</b>       |
| <b>Insertion Loss, maximum, dB</b>  | 0.5                  | 0.5                  |
| <b>Insertion Loss, typical, dB</b>  | 0.25                 | 0.25                 |
| <b>Return Loss, minimum, dB</b>     | 18                   | 18                   |
| <b>Return Loss, typical, dB</b>     | 20                   | 20                   |
| <b>Isolation, minimum, dB</b>       | 50                   | 50                   |
| <b>Isolation, typical, dB</b>       | 55                   | 55                   |
| <b>Input Power, RMS, maximum, W</b> | 200                  | 200                  |
| <b>Input Power, PEP, maximum, W</b> | 2000                 | 2000                 |
| <b>3rd Order PIM, typical, dBc</b>  | -158                 | -158                 |
| <b>3rd Order PIM Test Method</b>    | Two +43 dBm carriers | Two +43 dBm carriers |

## Block Diagram

# E11F13P46-V



## Material Specifications

**Finish** Painted

## Mechanical Specifications

**Mechanical Shock Test Method** IEC 60068-2-27

**Wind Speed, maximum** 200 km/h (124 mph)

## Environmental Specifications

**Operating Temperature** -30 °C to +70 °C (-22 °F to +158 °F)

**Corrosion Test Method** IEC 60068-2-11, 30 days

**Environmental Test Method** ETSI EN 300 019-1-4

**Ingress Protection Test Method** IEC 60529:2001, IP67

**Mean Time Between Failures, minimum** 1000000 h

**Thermal Shock Test Method** IEC 60068-2-14

**UV Resistance Test Method** IEC 60068-2-5

**Vibration Test Method** IEC 60068-2-6

## Packaging and Weights

**Included** Mounting hardware

**Volume** 4.5 L

# E11F13P46-V

---

**Weight, net**

5.6 kg | 12.346 lb

**Weight, without mounting hardware**

5.1 kg | 11.244 lb

## Regulatory Compliance/Certifications

**Agency**

ISO 9001:2015

**Classification**

Designed, manufactured and/or distributed under this quality management system