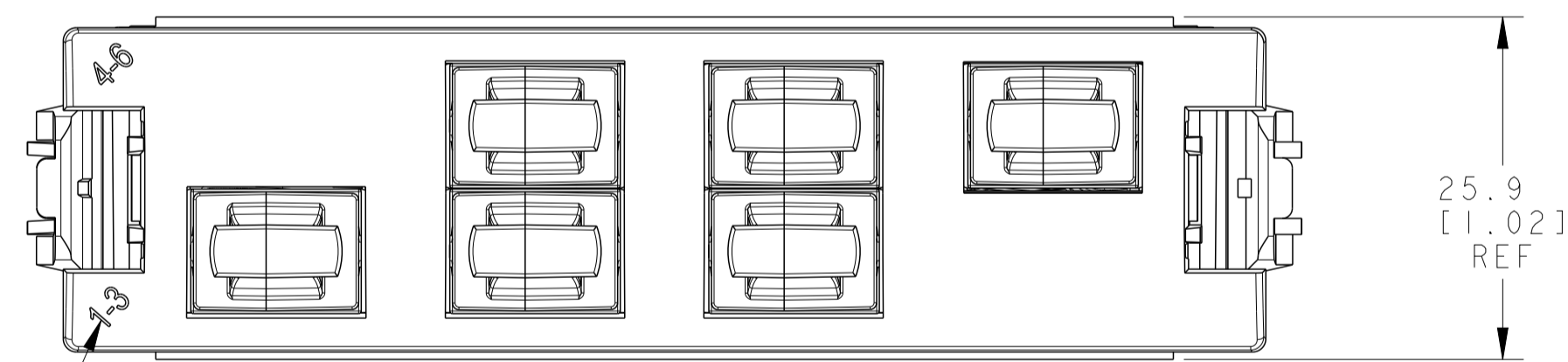
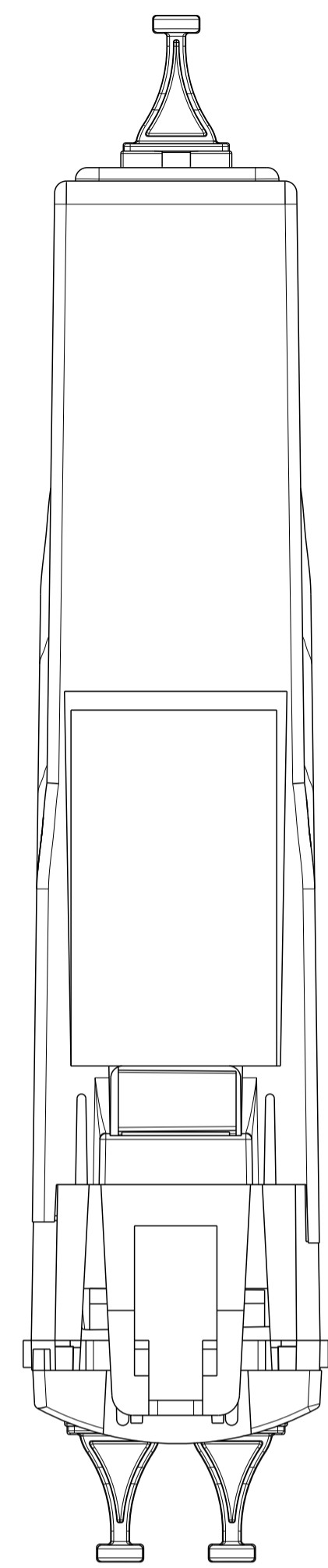
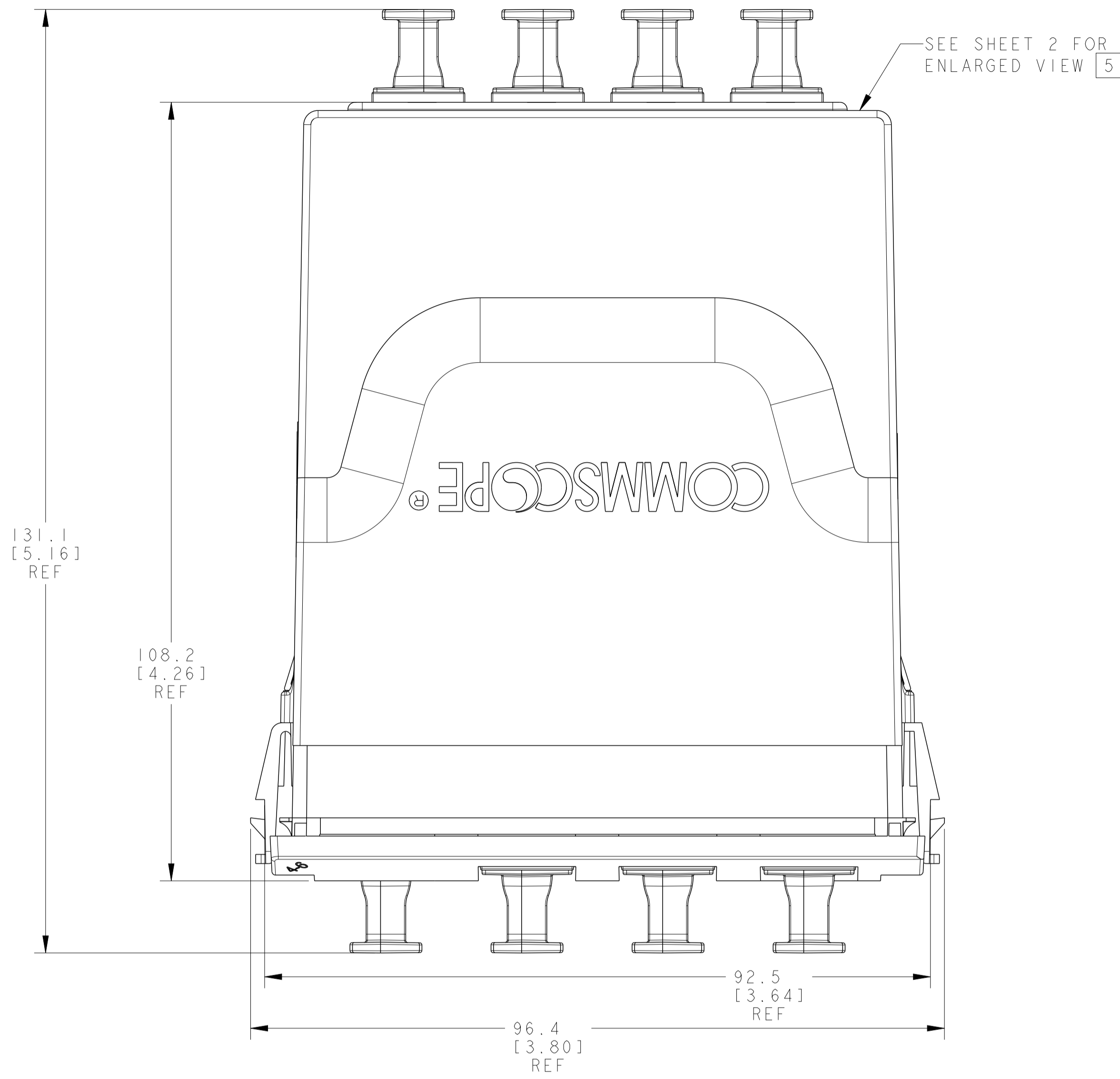


REVISIONS			
REV	CMO	DATE	APPROVED
B	40100074CMO	30-OCT-2019	PRL
C	40102345CMO	03-DEC-2019	PRL



NOTES:

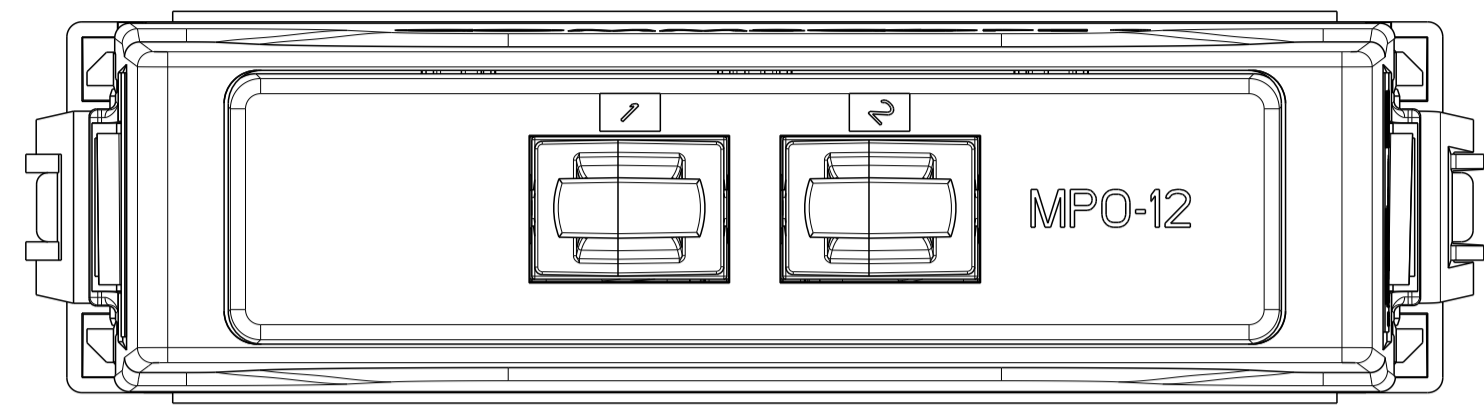
- SEE CATALOG FOR COMPLETE LIST OF PARTS RELATED TO THE USE OF THIS PRODUCT.
- DIMENSION ARE MM (INCHES).
- PART INCLUDES: (1) ASSEMBLY, MPO MODULE.
- SEE SHEET 2 FOR FRONT AND REAR VIEW PORT ASSIGNMENTS.

PRODUCT CODE	DESCRIPTION
CM24-2X6-LS-A	G2 MPOPTIMATE-24 MOD, 2X6 MPO, METHOD A, STRAIGHT, OM4
CM24-1X3-LS-A	G2 MPOPTIMATE-24 MOD, 1X3 MPO, METHOD A, STRAIGHT, OM4
CM12-2X3-LS-AF	G2 MPOPTIMATE-12 MOD, 2X3 MPO, METHOD A, FLIPPED, OM4
CM12-2X3-LS-A	G2 MPOPTIMATE-12 MOD, 2X3 MPO, METHOD A, STRAIGHT, OM4
CM12-2X3-SM-ULL	G2 ULL MPO-12 MODULE, 2X3 MPO, METHOD B, ENHANCED, SM
CM12-2X3-LS-ULL	G2 ULL MPO-12 MODULE, 2X3 MPO, METHOD B, ENHANCED, OM4
CM12-2X3-WB-ULL	G2 ULL MPO-12 MODULE, 2X3 MPO, METHOD B, ENHANCED, OM5
CM12-4X6-SM-ULL	G2 ULL MPO-12 MODULE, 4X6 MPO, METHOD B, ENHANCED, SM
CM12-4X6-LS-ULL	G2 ULL MPO-12 MODULE, 4X6 MPO, METHOD B, ENHANCED, OM4
CM12-4X6-WB-ULL	G2 ULL MPO-12 MODULE, 4X6 MPO, METHOD B, ENHANCED, OM5
CM24-1X3-LS-ULL	G2 ULL MPO-24 MODULE, 1X3 MPO, METHOD B, ENHANCED, OM4
CM24-1X3-WB-ULL	G2 ULL MPO-24 MODULE, 1X3 MPO, METHOD B, ENHANCED, OM5
CM24-2X6-LS-ULL	G2 ULL MPO-24 MODULE, 2X6 MPO, METHOD B, ENHANCED, OM4
CM24-2X6-WB-ULL	G2 ULL MPO-24 MODULE, 2X6 MPO, METHOD B, ENHANCED, OM5

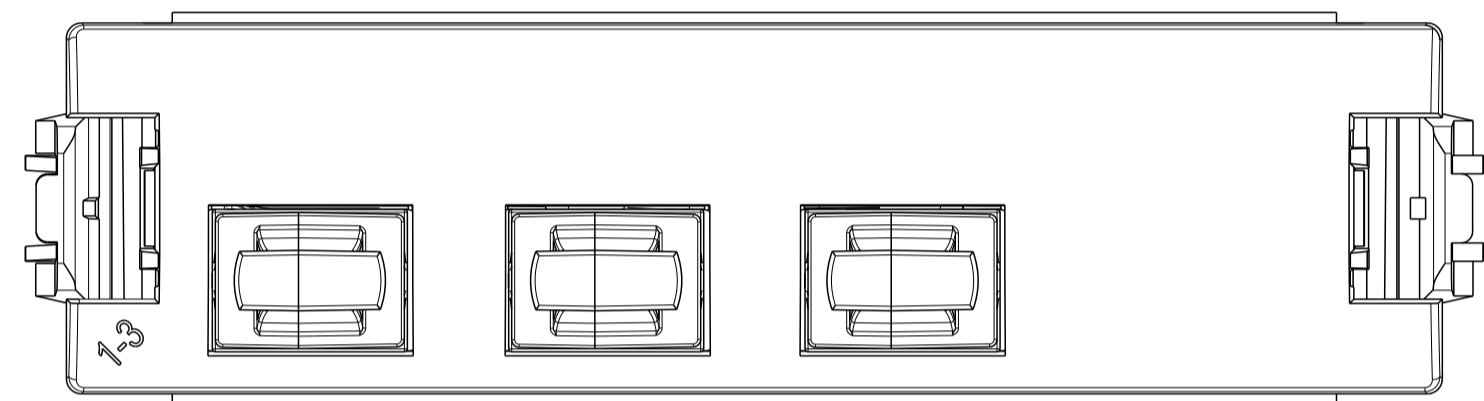
COMMSCOPE, INC.										
TOLERANCES					SAP MATERIAL MASTER					
N/A										
FINISH					MATERIAL					
N/A					N/A					
SYMBOLS AGREE WITH ASME Y14.5M - 2009 - ALL SHEETS ARE THE SAME REVISION AND STATUS.	DRAFTER			P. LOCKHART		TITLE				
	CHECKER			THOMAS MARCOUILLER		INSTALLATION DRW., 12/24 FIBER CONVERSION MODULE				
	ENGINEER			THOMAS MARCOUILLER		SIZE	SCALE	DOCUMENT NO.		
	CMO			40102345CMO		A	1/1	660001764		
ALL SURFACES		WORK AREA: 58		MODEL		DRAWING		SHEET		
✓	⊕	⊖	⊕	VERSION	STATUS	REVISION	VERSION	STATUS	REVISION	
				03			03	RE	C	

© 2019 CommScope, Inc. Confidential
 NOTICE: These drawings and specifications are the proprietary property of COMMSCOPE, INC. and may be used only for the specific purpose authorized in writing by COMMSCOPE, INC.

CM 12-2X3

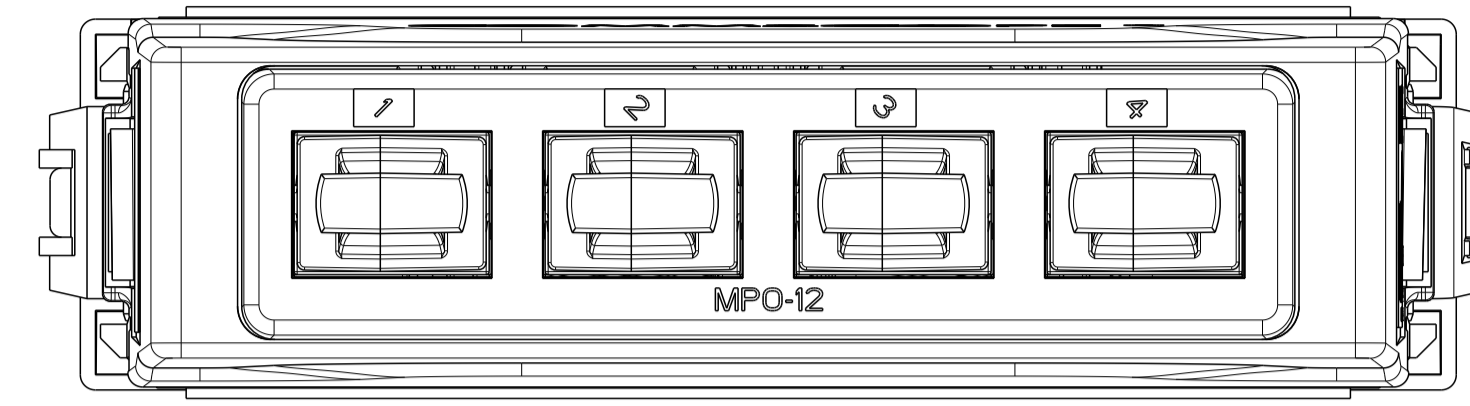


REAR VIEW

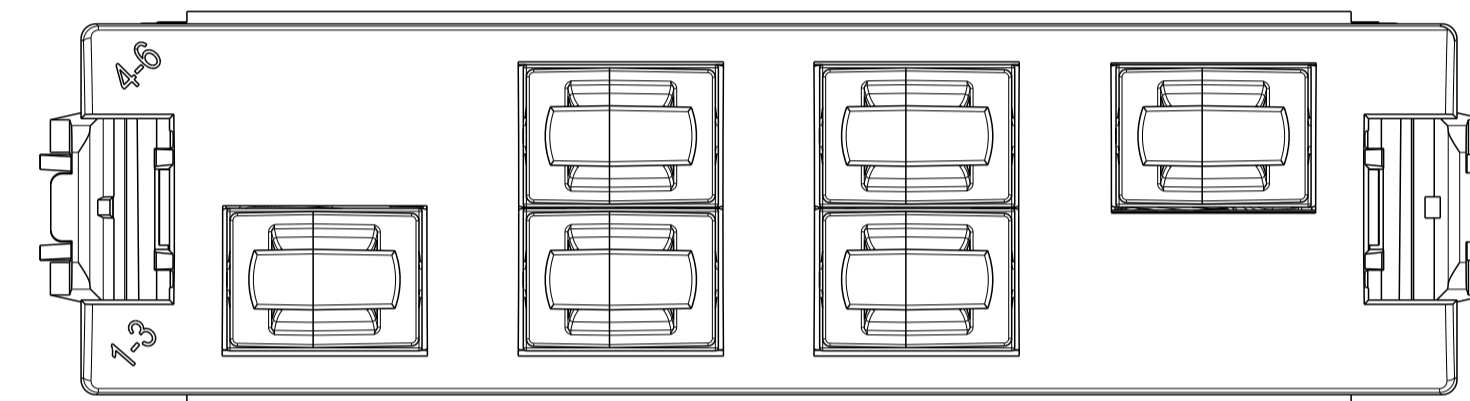


FRONT VIEW

CM 12-4X6

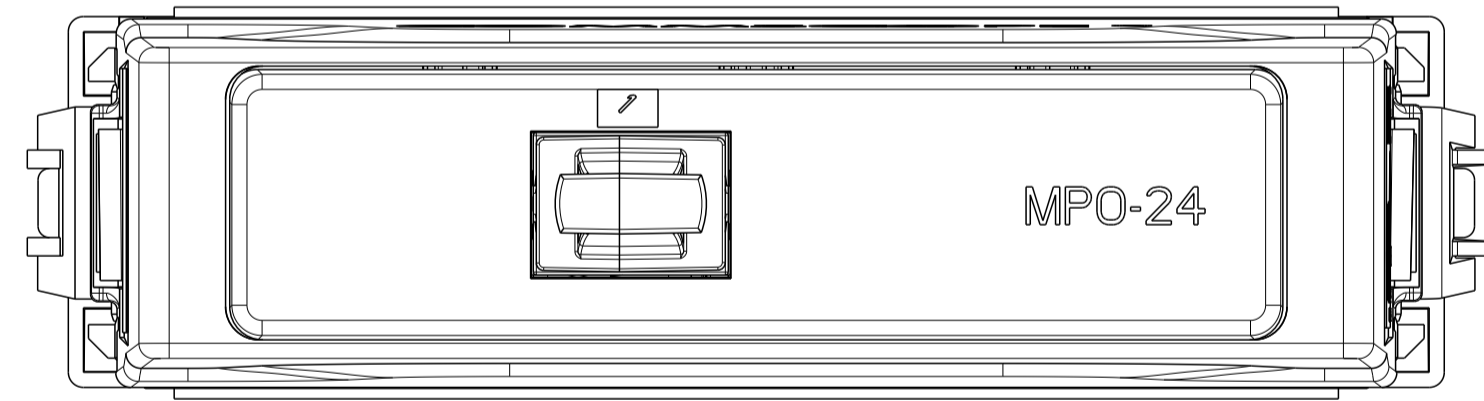


REAR VIEW

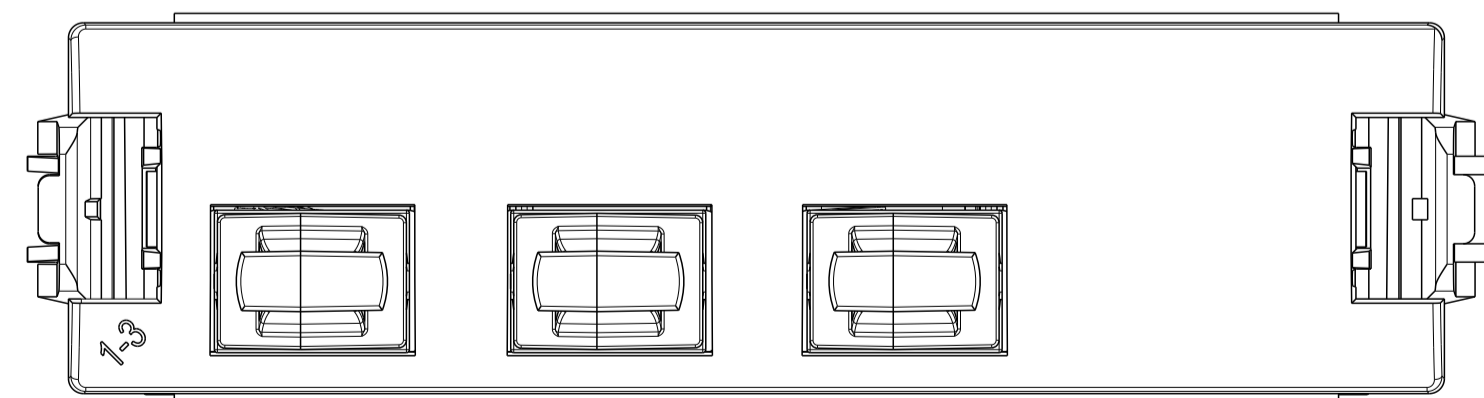


FRONT VIEW

CM 24-1X3

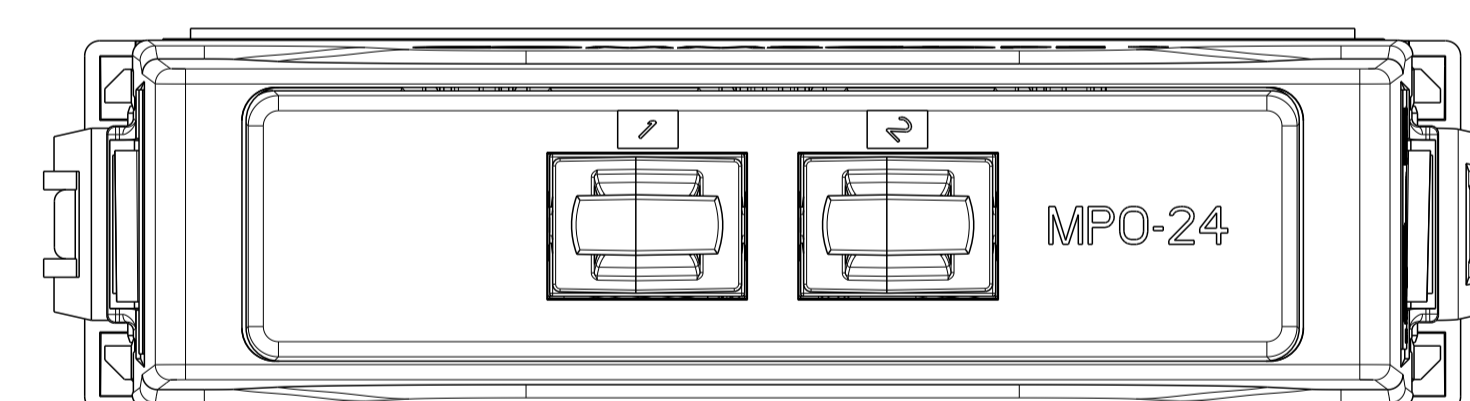


REAR VIEW

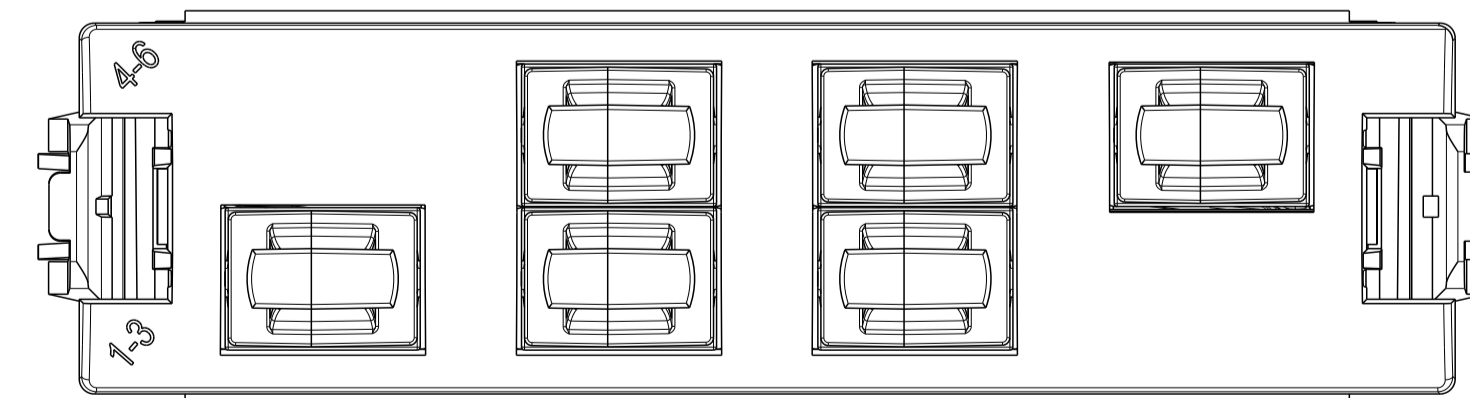


FRONT VIEW

CM 24-2X6



REAR VIEW



FRONT VIEW

COMMScope, INC.

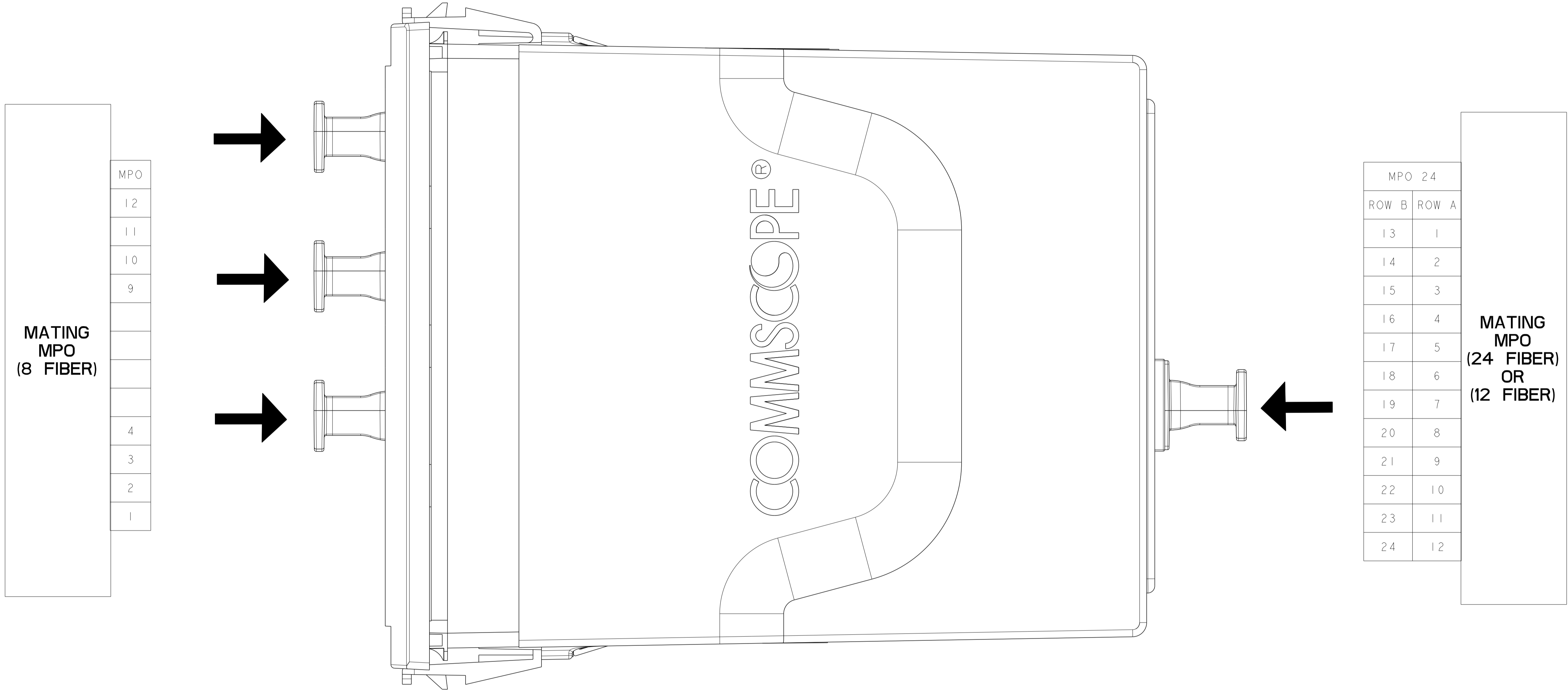
TITLE
INSTALLATION DRW.,
12/24 FIBER CONVERSION MODULE

SIZE	SCALE	DOCUMENT NO.
A1	2/1	660001764

DRAWING		SHEET 2 OF 5
VERSION	STATUS REVISION	
03	RE C	

© 2019 Commscope, Inc. Confidential
NOTICE: These drawings and specifications are the proprietary property of COMMScope, INC. and may be used only for the specific purpose authorized in writing by COMMScope, INC.

CONVERSION MODULE
SEE SHEET 4 FOR TABLES



MATING MPO (8 FIBER)

MPO
12
11
10
9
4
3
2
1

MPO 24	
ROW B	ROW A
13	1
14	2
15	3
16	4
17	5
18	6
19	7
20	8
21	9
22	10
23	11
24	12

MATING MPO (24 FIBER) OR (12 FIBER)

COMMSCOPE, INC.			
TITLE INSTALLATION DRW., 12/24 FIBER CONVERSION MODULE			
SIZE A1	SCALE 1/1	DOCUMENT NO. 660001764	
DRAWING VERSION STATUS REVISION			SHEET 3 OF 5
03 RE C			

© 2019 CommScope, Inc. Confidential
NOTICE: These drawings and specifications are the proprietary property of COMMSCOPE, INC. and may be used only for the specific purpose authorized in writing by COMMSCOPE, INC.

2X3 METHOD B ENHANCED CONVERSION MODULE			
	FRONT MATING 8 FIBER MPO	REAR MATING 12 FIBER MPO	
		MPO 1	MPO 2
MPO 1	12	1	
	11	2	
	10	3	
	9	4	
	EMPTY		
	4	9	
	3	10	
	2	11	
MPO 2	12	5	
	11	6	
	10		1
	9		2
	EMPTY		
	4		11
	3		12
	2	7	
MPO 3	12		3
	11		4
	10		5
	9		6
	EMPTY		
	4		7
	3		8
	2		9
1		10	

1X3 METHOD B ENHANCED CONVERSION MODULE			
	FRONT MATING 8 FIBER MPO	REAR MATING 24 FIBER MPO	
		ROW A	ROW B
MPO 1	12		13
	11		14
	10		15
	9		16
	EMPTY		
	4	9	
	3	10	
	2	11	
MPO 2	12		17
	11		18
	10		19
	9		20
	EMPTY		
	4	5	
	3	6	
	2	7	
MPO 3	12		21
	11		22
	10		23
	9		24
	EMPTY		
	4	1	
	3	2	
	2	3	
1	4		

4X6 METHOD B ENHANCED CONVERSION MODULE							
	FRONT MATING 8 FIBER MPO	REAR MATING 12 FIBER MPO		FRONT MATING 8 FIBER MPO	REAR MATING 12 FIBER MPO		
		MPO 1	MPO 2		MPO 3	MPO 4	
MPO 1	12	1		MPO 4	12	1	
	11	2			11	2	
	10	3			10	3	
	9	4			9	4	
	EMPTY				EMPTY		
	4	9			4	9	
	3	10			3	10	
	2	11			2	11	
MPO 2	12	5		MPO 5	12	5	
	11	6			11	6	
	10		1		10		1
	9		2		9		2
	EMPTY				EMPTY		
	4		11		4		11
	3		12		3		12
	2	7			2	7	
MPO 3	12		3	MPO 6	12		3
	11		4		11		4
	10		5		10		5
	9		6		9		6
	EMPTY				EMPTY		
	4		7		4		7
	3		8		3		8
	2		9		2		9
1		10	1		10		

2X6 METHOD B ENHANCED CONVERSION MODULE							
	FRONT MATING 8 FIBER MPO	REAR MATING 24 FIBER MPO		FRONT MATING 8 FIBER MPO	REAR MATING 24 FIBER MPO		
		MPO 1			MPO 2		
		ROW A	ROW B		ROW A	ROW B	
MPO 1	12		13	MPO 4	12		13
	11		14		11		14
	10		15		10		15
	9		16		9		16
	EMPTY				EMPTY		
	4	9			4	9	
	3	10			3	10	
	2	11			2	11	
MPO 2	12		17	MPO 5	12		17
	11		18		11		18
	10		19		10		19
	9		20		9		20
	EMPTY				EMPTY		
	4	5			4	5	
	3	6			3	6	
	2	7			2	7	
MPO 3	12		21	MPO 6	12		21
	11		22		11		22
	10		23		10		23
	9		24		9		24
	EMPTY				EMPTY		
	4	1			4	1	
	3	2			3	2	
	2	3			2	3	
1	4		1	4			

© 2019 CommScope, Inc. Confidential
 NOTICE: These drawings and specifications are the proprietary property of COMMScope, Inc. and may be used only for the specific purpose authorized in writing by COMMScope, Inc.

COMMScope, INC.			
TITLE INSTALLATION DRW., 12/24 FIBER CONVERSION MODULE			
SIZE A	SCALE 1/1	DOCUMENT NO. 660001764	
DRAWING VERSION STATUS REVISION 03 RE C			SHEET 4 OF 5

1X3 METHOD A STRAIGHT CONVERSION MODULE			
FRONT MATING 8 FIBER MPO		REAR MATING 24 FIBER MPO	
		ROW A	ROW B
MPO 1	12		13
	11		14
	10		15
	9		16
	EMPTY		
	4	4	
	3	3	
	2	2	
MPO 2	12		17
	11		18
	10		19
	9		20
	EMPTY		
	4	8	
	3	7	
	2	6	
MPO 3	12		21
	11		22
	10		23
	9		24
	EMPTY		
	4	12	
	3	11	
	2	10	
1	9		

2X6 METHOD A STRAIGHT CONVERSION MODULE							
FRONT MATING 8 FIBER MPO		REAR MATING 24 FIBER MPO		FRONT MATING 8 FIBER MPO		REAR MATING 24 FIBER MPO	
		MPO 1				MPO 2	
		ROW A	ROW B			ROW A	ROW B
MPO 1	12		13	MPO 4	12		13
	11		14		11		14
	10		15		10		15
	9		16		9		16
	EMPTY				EMPTY		
	4	4			4	4	
	3	3			3	3	
	2	2			2	2	
MPO 2	12		17	MPO 5	12		17
	11		18		11		18
	10		19		10		19
	9		20		9		20
	EMPTY				EMPTY		
	4	8			4	8	
	3	7			3	7	
	2	6			2	6	
MPO 3	12		21	MPO 6	12		21
	11		22		11		22
	10		23		10		23
	9		24		9		24
	EMPTY				EMPTY		
	4	12			4	12	
	3	11			3	11	
	2	10			2	10	
1	9		1	9			

2X3 METHOD A STRAIGHT CONVERSION MODULE			
FRONT MATING 8 FIBER MPO		REAR MATING 12 FIBER MPO	
		MPO 1	MPO 2
MPO 1	12	12	
	11	11	
	10	10	
	9	9	
	EMPTY		
	4	4	
	3	3	
	2	2	
MPO 2	12	8	
	11	7	
	10	6	
	9	5	
	EMPTY		
	4	8	
	3	7	
	2	6	
MPO 3	12	12	
	11	11	
	10	10	
	9	9	
	EMPTY		
	4	4	
	3	3	
	2	2	
1	1		

2X3 METHOD A FLIPPED CONVERSION MODULE			
FRONT MATING 8 FIBER MPO		REAR MATING 12 FIBER MPO	
		MPO 1	MPO 2
MPO 1	12	1	
	11	2	
	10	3	
	9	4	
	EMPTY		
	4	9	
	3	10	
	2	11	
MPO 2	12		5
	11		6
	10		7
	9		8
	EMPTY		
	4	5	
	3	6	
	2	7	
MPO 3	12		1
	11		2
	10		3
	9		4
	EMPTY		
	4	9	
	3	10	
	2	11	
1	12		

© 2019 CommScope, Inc. Confidential
 NOTICE: These drawings and specifications are the proprietary property of COMMScope, Inc. and may be used only for the specific purpose authorized in writing by COMMScope, Inc.

COMMScope, INC.			
TITLE INSTALLATION DRW. 12/24 FIBER CONVERSION MODULE			
SIZE A1	SCALE 1/1	DOCUMENT NO. 660001764	
DRAWING VERSION STATUS REVISION 03 RE C			SHEET 5 OF 5