

Fiber outdoor drop cable, LightScope® ZWP Self-Supporting Non-Armored Figure-8, Singlemode G.652.D and G.657.A1, 6 fiber Arid Core construction with 0.109 in messenger, Gel-filled, central loose tube, Feet jacket marking, Black jacket color

- \*Product complies with the Build America, Buy America Act (BABAA) requirements of the Infrastructure Investment and Jobs Act of 2021 (Pub. L. 117- 58, §§ 70901-70953), or is the subject of a waiver approved by the Secretary of Commerce or designee. Compliance requirements and waiver applicability vary based on government funding program. Check the laws and regulations for your specific program.

## Product Classification

<b>Regional Availability</b>	Asia   Australia/New Zealand   EMEA   Latin America   North America
<b>Portfolio</b>	CommScope®
<b>Product Type</b>	Fiber drop cable
<b>Product Series</b>	M-MN
<b>Government Requirements</b>	Build America Buy America (BABA) compliant*

## General Specifications

<b>Cable Type</b>	Central loose tube
<b>Construction Type</b>	Non-armored
<b>Subunit Type</b>	Gel-filled
<b>Jacket Color</b>	Black
<b>Jacket Marking</b>	Feet
<b>Location of Manufacturing</b>	Catawba, North Carolina
<b>Subunit, quantity</b>	1
<b>Fibers per Subunit, quantity</b>	6
<b>Total Fiber Count</b>	6

## Dimensions

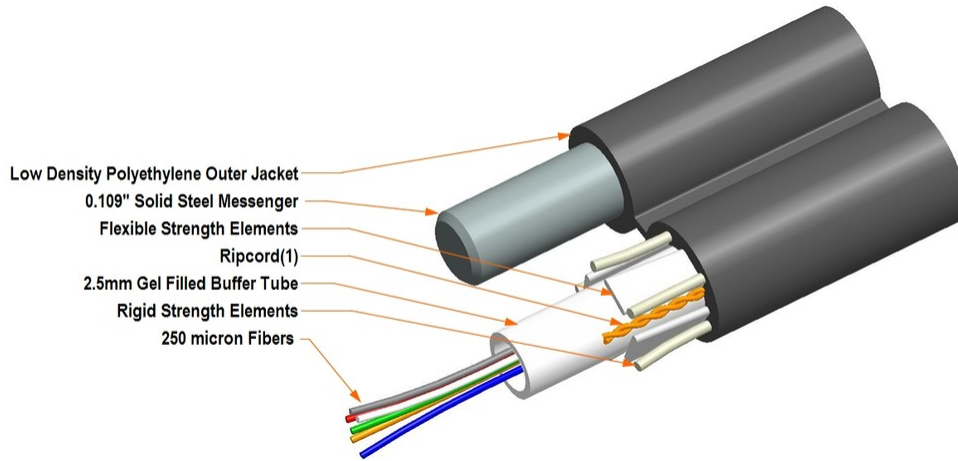
<b>Height Over Jacket</b>	10.7 mm   0.421 in
<b>Buffer Tube/Subunit Diameter</b>	2.5 mm   0.098 in
<b>Diameter Over Jacket</b>	5.1 mm   0.201 in

# 8108271/DB | M-006-MN-8W-F06NS/109

**Diameter Over Messenger Jacket**

4.3 mm | 0.169 in

## Representative Image



## Material Specifications

**Jacket Material**

PE

## Mechanical Specifications

**Minimum Bend Radius, loaded**

77 mm | 3.031 in

**Minimum Bend Radius, unloaded**

51 mm | 2.008 in

**Tensile Load, long term, maximum**

400 N | 89.924 lbf

**Tensile Load, short term, maximum**

1334 N | 299.895 lbf

**Compression**

10 N/mm | 57.101 lb/in

**Compression Test Method**

FOTP-41 | IEC 60794-1 E3

**Flex**

35 cycles

**Flex Test Method**

FOTP-104 | IEC 60794-1 E6

**Impact**

1.47 N-m | 13.011 in lb

**Impact Test Method**

FOTP-25 | IEC 60794-1 E4

**Strain**

See long and short term tensile loads

**Strain Test Method**

FOTP-33 | IEC 60794-1 E1

**Twist**

10 cycles

**Twist Test Method**

FOTP-85 | IEC 60794-1 E7

**Vertical Rise, maximum**

529 m | 1,735.564 ft

## Optical Specifications

**Fiber Type** G.652.D and G.657.A1 | G.652.D and G.657.A1

## Environmental Specifications

**Installation temperature** -30 °C to +70 °C (-22 °F to +158 °F)

**Operating Temperature** -40 °C to +70 °C (-40 °F to +158 °F)

**Storage Temperature** -40 °C to +75 °C (-40 °F to +167 °F)

**Cable Qualification Standards** ANSI/ICEA S-110-717

**Environmental Space** Aerial, self-support

**Jacket UV Resistance** UV stabilized

**Water Penetration** 24 h

**Water Penetration Test Method** FOTP-82 | IEC 60794-1 F5

## Environmental Test Specifications

**Cable Freeze** -2 °C | 28.4 °F

**Cable Freeze Test Method** FOTP-98 | IEC 60794-1 F15

**Drip** 70 °C | 158 °F

**Drip Test Method** FOTP-81 | IEC 60794-1 E14

**Heat Age** -40 °C to +85 °C (-40 °F to +185 °F)

**Heat Age Test Method** IEC 60794-1 F9

**Low High Bend** -30 °C to +60 °C (-22 °F to +140 °F)

**Low High Bend Test Method** FOTP-37 | IEC 60794-1 E11

**Temperature Cycle** -40 °C to +70 °C (-40 °F to +158 °F)

**Temperature Cycle Test Method** FOTP-3 | IEC 60794-1 F1

## Packaging and Weights

**Cable weight** 77 kg/km | 51.742 lb/kft

## Regulatory Compliance/Certifications

Agency	Classification
ISO 9001:2015	Designed, manufactured and/or distributed under this quality management system

## Included Products

# 8108271/DB | M-006-MN-8W-F06NS/109

---

DB-8W-LT – LightScope® ZWP Singlemode  
Fiber

## \* Footnotes

**Operating Temperature** Specification applicable to non-terminated bulk fiber cable