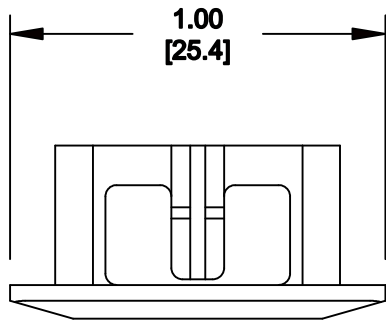
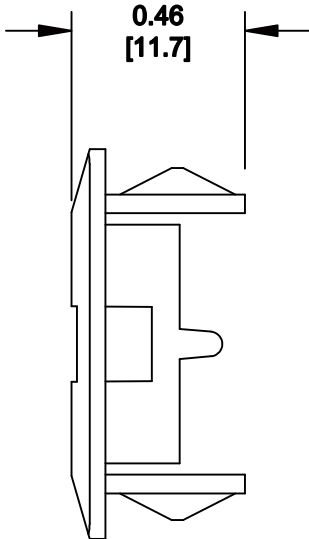
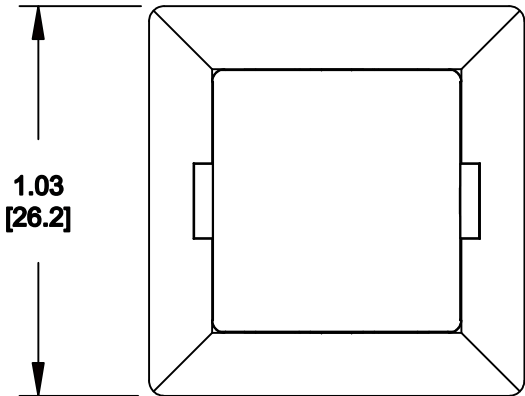


MATERIAL ID	DESCRIPTION
106664154	RECTANGULAR MOUNTING COLLAR, BLACK



**NOTES:**

1. SEE SYSTIMAX CATALOG FOR PART NUMBER SUFFIXES TO INDICATE COLOR/PKG.
2. SEE SYSTIMAX CATALOG FOR COMPLETE LIST OF PARTS RELATED TO THE USE OF THIS PRODUCT.
3. DIMENSIONS IN PARENTHESES ARE IN METRIC.
4. PART INCLUDES:  
(1) MOUNTING COLLAR



M30MC-003	
<b>COMMScope, INC</b> OF NORTH CAROLINA	
SYSTIMAX® SOLUTIONS	
DRAWN BY TZ	
DATE 5/24/2011	DWG NO 106664154

REV	DATE	ECR	DESCRIPTION	APPROVED BY
1	5/24/11		INITIAL ISSUE	JL