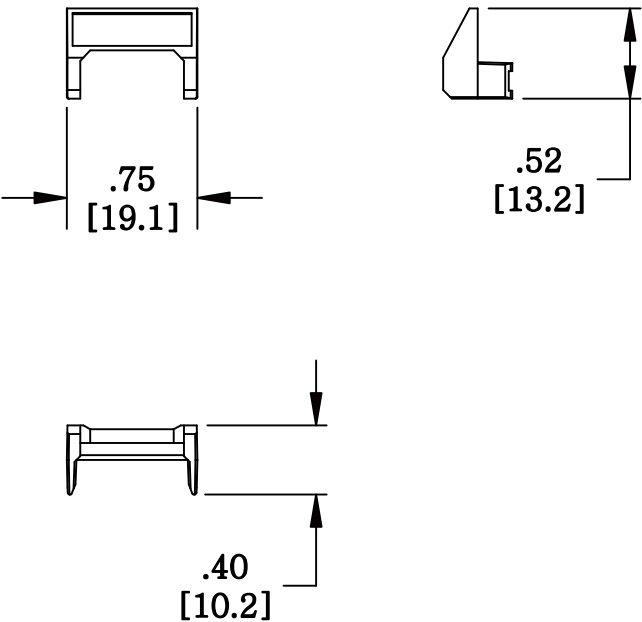


MATERIAL ID	DESCRIPTION
107296592	M60 COMPUTER INFORMATION OUTLET ICON INSERT, GREEN

NOTES:

1. SEE SYSTIMAX CATALOG FOR PART NUMBER SUFFIXES TO INDICATE COLOR/PKG.
2. SEE SYSTIMAX CATALOG FOR COMPLETE LIST OF PARTS RELATED TO THE USE OF THIS PRODUCT.
3. DIMENSIONS IN PARENTHESES ARE IN METRIC.
4. PART INCLUDES:
(1) OUTLET ICON INSERT, GREEN



M60C-226	
COMMScope, INC OF NORTH CAROLINA	
SYSTIMAX® SOLUTIONS	
DRAWN BY AW	
DATE 05/31/2011	DWG NO 107296592

REV	DATE	ECR	DESCRIPTION	APPROVED BY
1	05/31/11		INITIAL ISSUE	