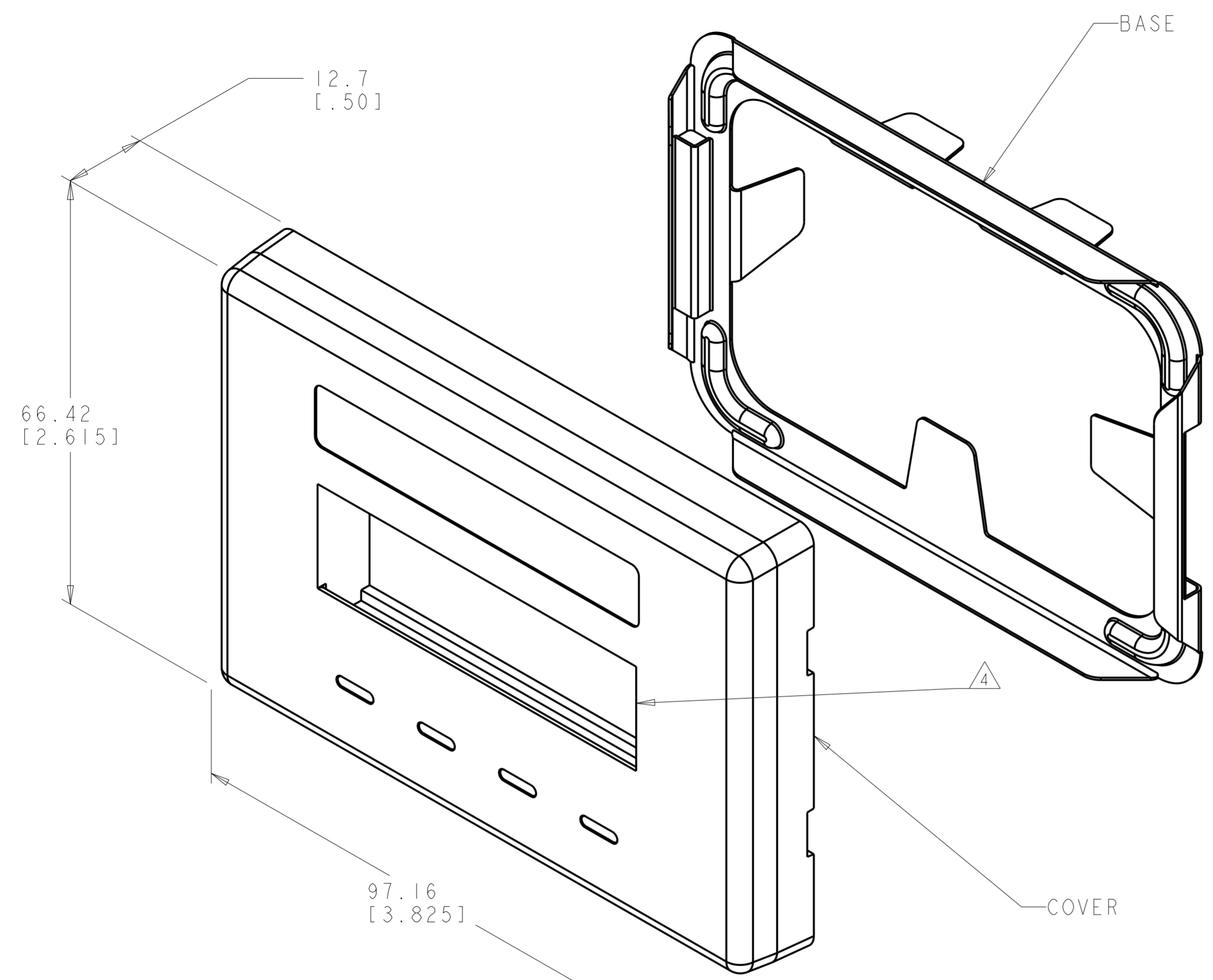


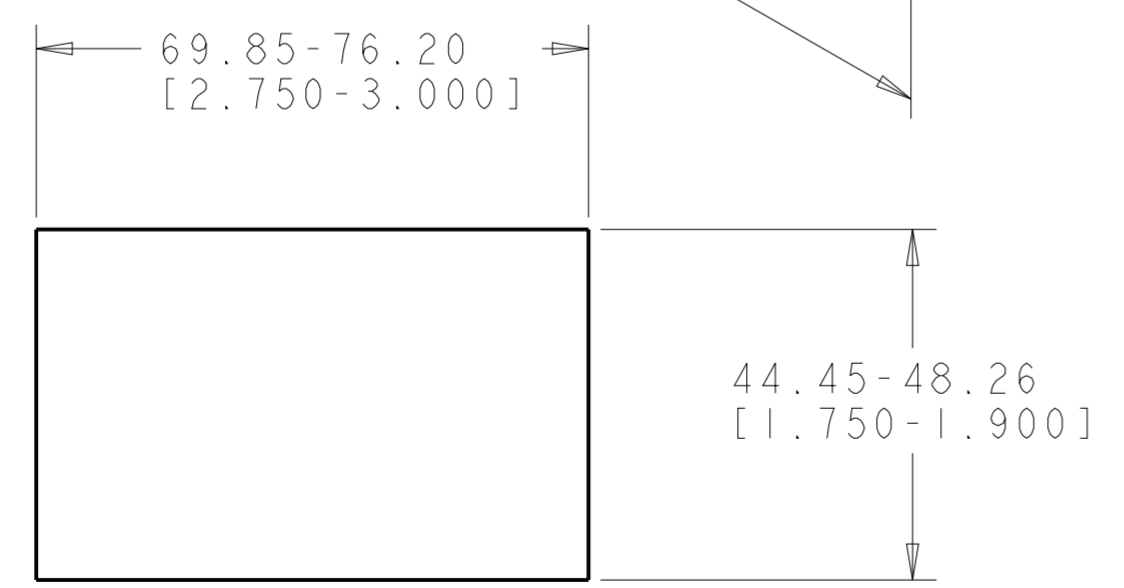
THIS DRAWING IS UNPUBLISHED. RELEASED FOR PUBLICATION
 © 2016 COMMSCOPE, INC. CONFIDENTIAL NOTICE: THESE DRAWINGS AND SPECIFICATIONS ARE THE PROPRIETARY PROPERTY OF COMMSCOPE, INC. AND MAY BE USED ONLY FOR THE SPECIFIC PURPOSE AUTHORIZED IN WRITING BY COMMSCOPE, INC.

REVISIONS				
P	LTR	DESCRIPTION	DATE	APVD
D		REV ECO-13-020024	20DEC2013	GG RA
E		REV PER BNS_CD_BRAND	09FEB2017	GG DC



- 1. MATERIAL: COVER - ABS MOLDING COMPOUND, SEE TABLE FOR COLOR.
BASE - GALVANIZED CARBON STEEL.
- 2. KIT SHIPPED UNASSEMBLED.
- 3. DIMENSIONS SHOWN ARE NOMINAL UNLESS OTHERWISE SPECIFIED.
- 4. COVER WILL ACCEPT A COMBINATION OF FOUR SL TOOLLESS JACKS, MT-RJ FIBER OPTIC JACKS OR MULTIMEDIA INSERTS.
- 5. REFER TO INSTRUCTION SHEET 408-8397 FOR INSTALLATION PROCEDURES.

ALPINE WHITE	1-1375006-3
NEMA GRAY	1375006-4
WHITE	1375006-3
BLACK	1375006-2
LT ALMOND	1375006-1
COLOR	PART NUMBER



SUGGESTED PANEL CUTOUT

THIS DRAWING IS A CONTROLLED DOCUMENT.		DWN L HALL 23AUG2000	COMMSCOPE, INC.	
DIMENSIONS: mm [INCHES]		CHK G BOWMAN 23AUG2000		
TOLERANCES UNLESS OTHERWISE SPECIFIED:		APVD G BOWMAN 23AUG2000		
0 PLC ± 1 PLC ± 2 PLC ± 3 PLC ± 4 PLC ± ANGLES ± FINISH ±		PRODUCT SPEC -		
MATERIAL	-	APPLICATION SPEC 408-8397	NAME ASSEMBLY, FURNITURE OUTLET, LARGE BASE	RESTRICTED TO -
Customer Drawing		WEIGHT -	SIZE A2	SCALE 2:1
		Customer Drawing	DRAWING NO C-1375006	SHEET 1
			REV E	