

4

3

2

1

THIS DRAWING IS UNPUBLISHED.

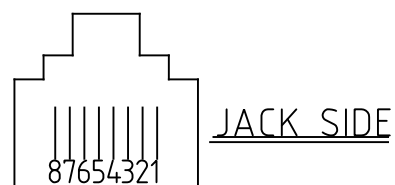
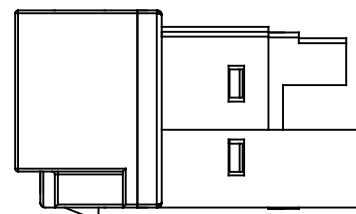
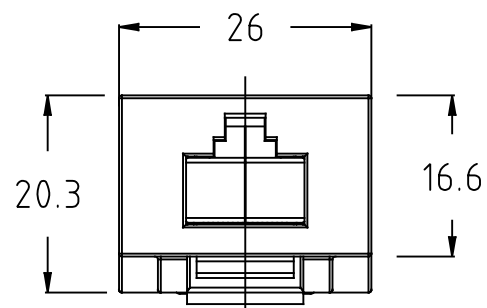
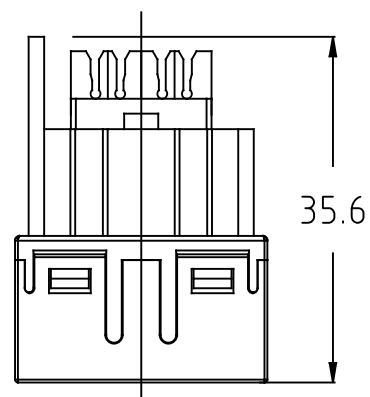
RELEASED FOR PUBLICATION

REVISIONS

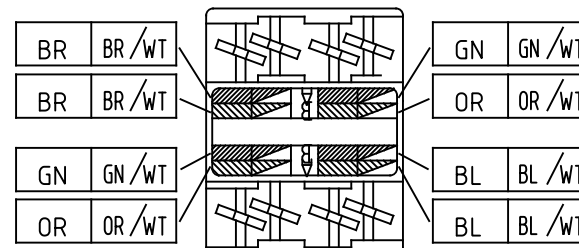
© 2016 Commscope, INC. Confidential

NOTICE: These drawings and specifications are the proprietary property of COMMSCOPE, INC. and may be used only for the specific purpose authorized in writing by COMMSCOPE, INC.

P	LTR	DESCRIPTION	DATE	DWN	APVD
	C	40052516CMO	20OCT2017	LS	CC



PIN NO.	8	7	6	5	4	3	2	1	← JACK SIDE
T568A	BR	WT-BR	OR	WT-BL	BL	WT-OR	GR	WT-GN	← 110 BLOCK SIDE
T568B	BR	WT-BR	GR	WT-BL	BL	WT-GR	OR	WT-OR	



110 BLOCK SIDE

GRAY	1554435-8
YELLOW	1554435-7
ORANGE	1554435-6
GREEN	1554435-5
BLUE	1554435-4
RED	1554435-3
BLACK	1554435-2
WHITE	1554435-1
COLOR	PART NO.

THIS DRAWING IS A CONTROLLED DOCUMENT.		DWN K LEE	08FEB2010	COMMSCOPE, INC.				
DIMENSIONS: mm		CHK A YUSHIRO	08FEB2010					
TOLERANCES UNLESS OTHERWISE SPECIFIED:		APVD K KUROSE	08FEB2010	NAME CAT6 SX UNIT, SHUTTERED				
 0 PLC ± - 1 PLC ± - 2 PLC ± - 3 PLC ± - 4 PLC ± - ANGLES ± -		PRODUCT SPEC -		APPLICATION SPEC -				
MATERIAL SEE TABLE		FINISH -		WEIGHT -	SIZE A3	CAGE CODE 00779	DRAWING NO C=1554435	RESTRICTED TO -
CUSTOMER DRAWING				SCALE NTS	SHEET 1 OF 1	REV C		