

THIS DRAWING IS UNPUBLISHED.

RELEASED FOR PUBLICATION

© 2016 COMMSCOPE, INC. CONFIDENTIAL

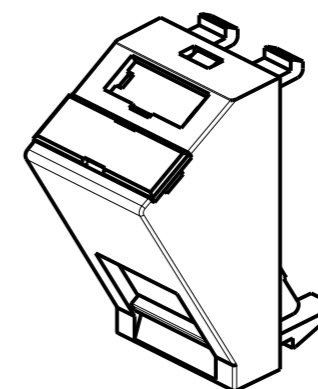
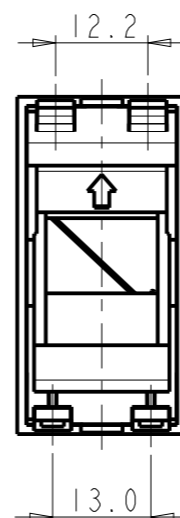
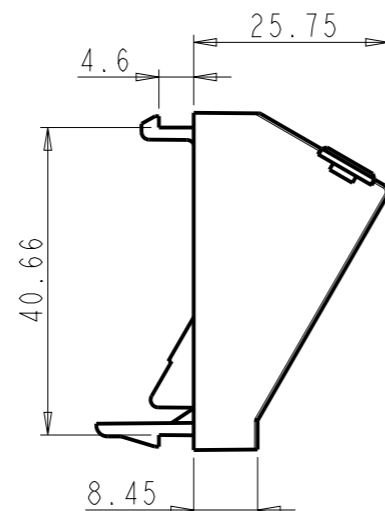
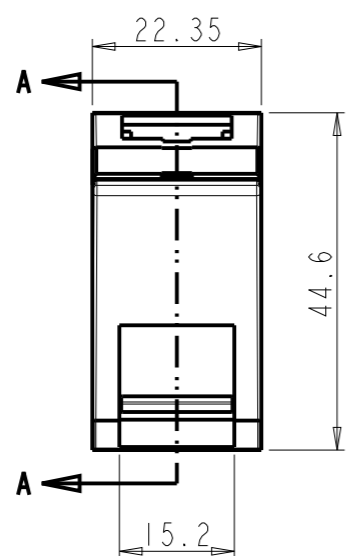
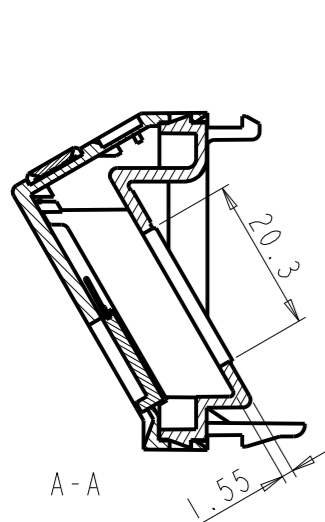
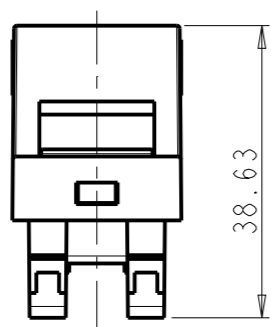
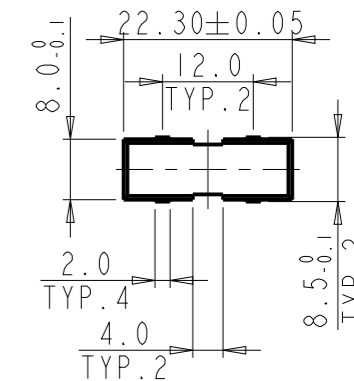
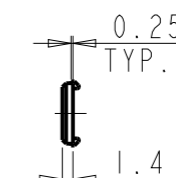
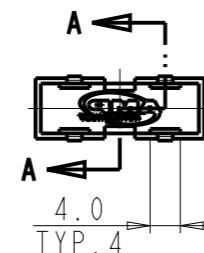
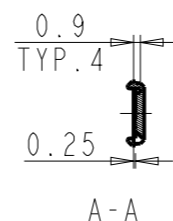
NOTICE: THESE DRAWINGS AND SPECIFICATIONS ARE THE PROPRIETARY PROPERTY OF COMMSCOPE, INC. AND MAY BE USED ONLY FOR THE SPECIFIC PURPOSE AUTHORIZED IN WRITING BY COMMSCOPE, INC.

REVISIONS

P	LTR	DESCRIPTION	DATE	DWN	APVD
	A	PRODUCTION RELEASE	04JUL2008	L.C.	J.S.
	B	REV PER BNS_CD_BRAND	03FEB2017	GG	DC

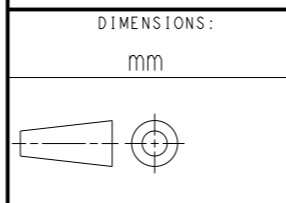
TRANSPARENT LABEL COVER

- PRODUCT DESCRIPTION:  
SINGLE PORT ANGLED 45x22.5 MODULE
- PRODUCT INCLUDES TWO STRIPS  
IN BLUE AND RED COLOURS,  
EACH ONE WITH FOUR ICONS FOR:
  - CAT5E
  - CAT6
  - PICTOGRAM OF PHONE
  - PICTOGRAM OF COMPUTER



9010	1711664-1
RAL	DASH

THIS DRAWING IS A CONTROLLED DOCUMENT.



DIMENSIONS:		TOLERANCES UNLESS OTHERWISE SPECIFIED:	
	mm		
0 PLC		±-	
1 PLC		±0.1	
2 PLC		±0.05	
3 PLC		±-	
4 PLC		±-	
ANGLES		±-	
MATERIAL	-	FINISH	-

DWN	L. COBACHO	14DEC2007
CHK	A. CARRERAS	14DEC2007
APVD	J. SANABRA	04JUL2008
PRODUCT SPEC	-	
APPLICATION SPEC	-	
WEIGHT	-	
CUSTOMER DRAWING		

COMMSCOPE, INC.

SINGLE PORT ANGLED 45x22.5 MODULE

NAME	-			RESTRICTED TO	-
SIZE	A3	CAGE CODE	C=1711664	DRAWING NO	-
SCALE	1:1	SHEET	OF	REV	B