

THIS DRAWING IS UNPUBLISHED.

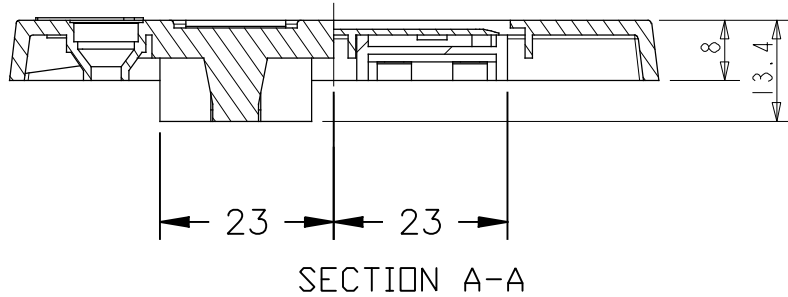
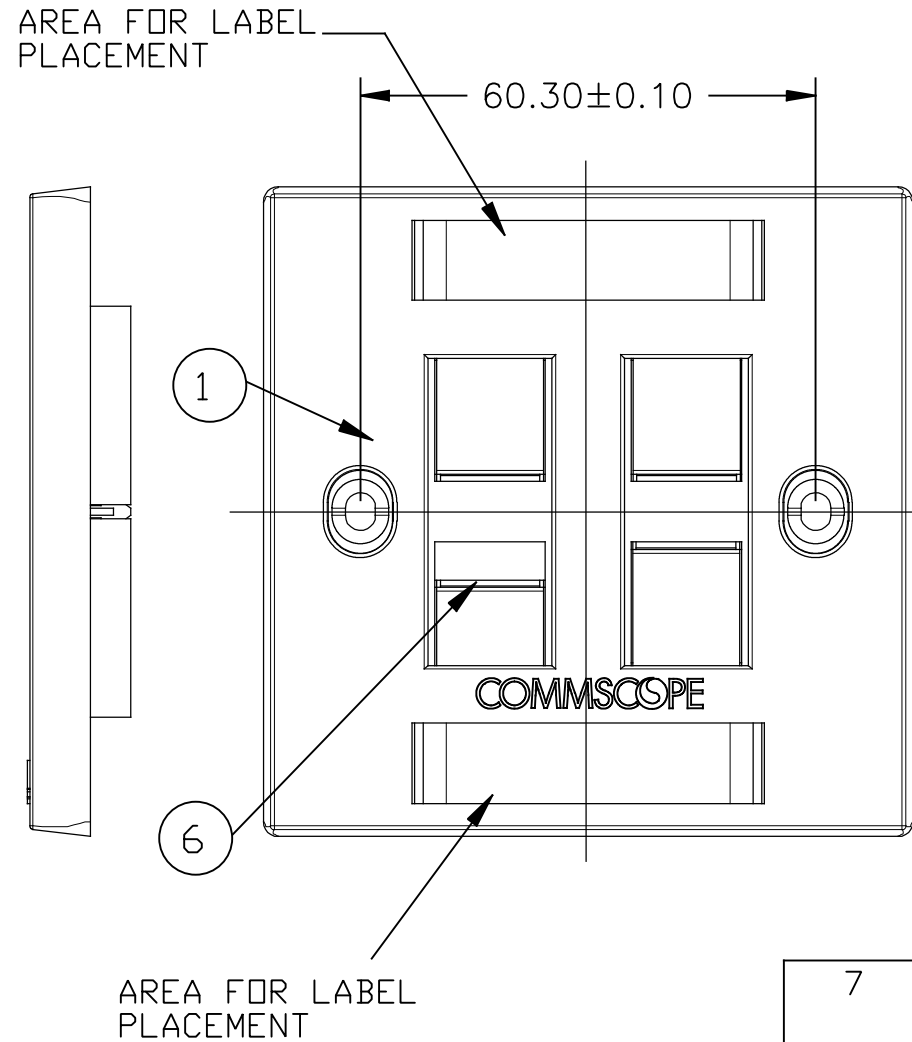
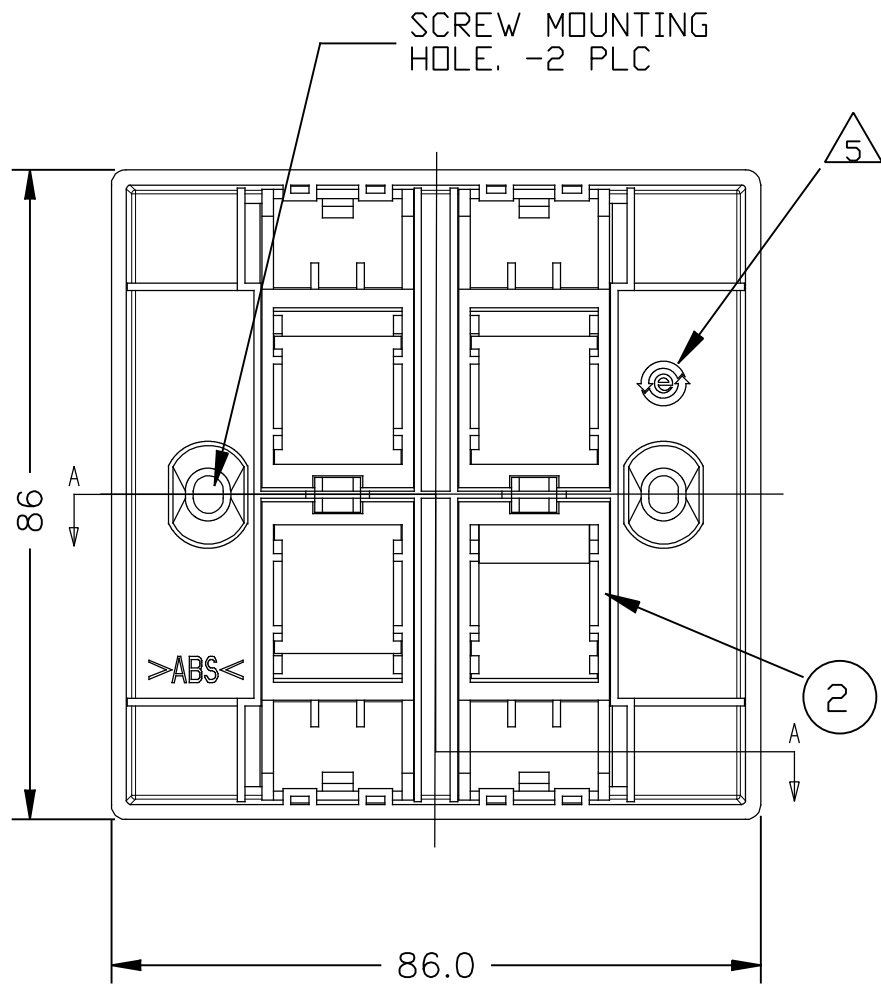
RELEASED FOR PUBLICATION

© 2016 Commscope, INC. Confidential

NOTICE: These drawings and specifications are the proprietary property of COMMSCOPE, INC. and may be used only for the specific purpose authorized in writing by COMMSCOPE, INC.

REVISIONS

P	LTR	DESCRIPTION	DATE	DWN	APVD
	C	ECN:8000024465 REBRANDING.	08AUG2017	R.L	G.W



NOTE:

- FACEPLATE KIT CONSIST OF THE FOLLOWING ITEM:
FACEPLATE ASSEMBLED WITH JACK HOLDER
AND SPRING SHUTTER ASSEMBLES -1 PC
SCREW COVER -2 PCS
SCREW, PAN HEAD, M3.5x0.35x25mm -2 PCS
LABEL COVER -2 PCS
 - SCREW, SCREW CPVERS AND LABEL COVER ARE PACKED SEPARATELY IN A BAG.
- △3 ITEMS NO. 3,4,5 AND 7 NOT SHOWN IN DRAWING.
△4 CHINA E-LOGO ADDED ON BACK SURFACE.

- △3
- △3
- △3
- △3

ITEM	COMPONENT	MATERIAL
7	SHUTTER SPRING	STEEL, STAINLESS
6	SHUTTER	ABS UL94V-0+UV
5	SCREW, M3.5x0.35x25mm,GB819-85	BRASS, NICKEL PLT
4	SCREW COVER	ABS UL94V-0+UV
3	LABEL COVER	ACRYLIC UL94V-0
2	JACK HOLDER	ABS UL94V-0+UV
1	FACEPLATE	ABS UL94V-0+UV

THIS DRAWING IS A CONTROLLED DOCUMENT.		DWN E.WANG 28DEC2005	COMMSCOPE, INC.														
DIMENSIONS: mm		CHK -															
TOLERANCES UNLESS OTHERWISE SPECIFIED:		APVD E.WANG 28DEC2005	NAME FACEPLATE KIT, 4 PORTS, 110 CONNECT, B.S STYLE														
<table border="0"> <tr> <td>0 PLC</td><td>± -</td> </tr> <tr> <td>1 PLC</td><td>± -</td> </tr> <tr> <td>2 PLC</td><td>± -</td> </tr> <tr> <td>3 PLC</td><td>± -</td> </tr> <tr> <td>4 PLC</td><td>± -</td> </tr> <tr> <td>ANGLES</td><td>± -</td> </tr> </table>		0 PLC	± -	1 PLC	± -	2 PLC	± -	3 PLC	± -	4 PLC	± -	ANGLES	± -	PRODUCT SPEC -	APPLICATION SPEC -		
0 PLC	± -																
1 PLC	± -																
2 PLC	± -																
3 PLC	± -																
4 PLC	± -																
ANGLES	± -																
MATERIAL -		FINISH -	WEIGHT -	SIZE A3	CAGE CODE 00779												
CUSTOMER DRAWING			DRAWING NO C=1859053	RESTRICTED TO -	SCALE 1												
			SHEET 1	OF 1	REV C												