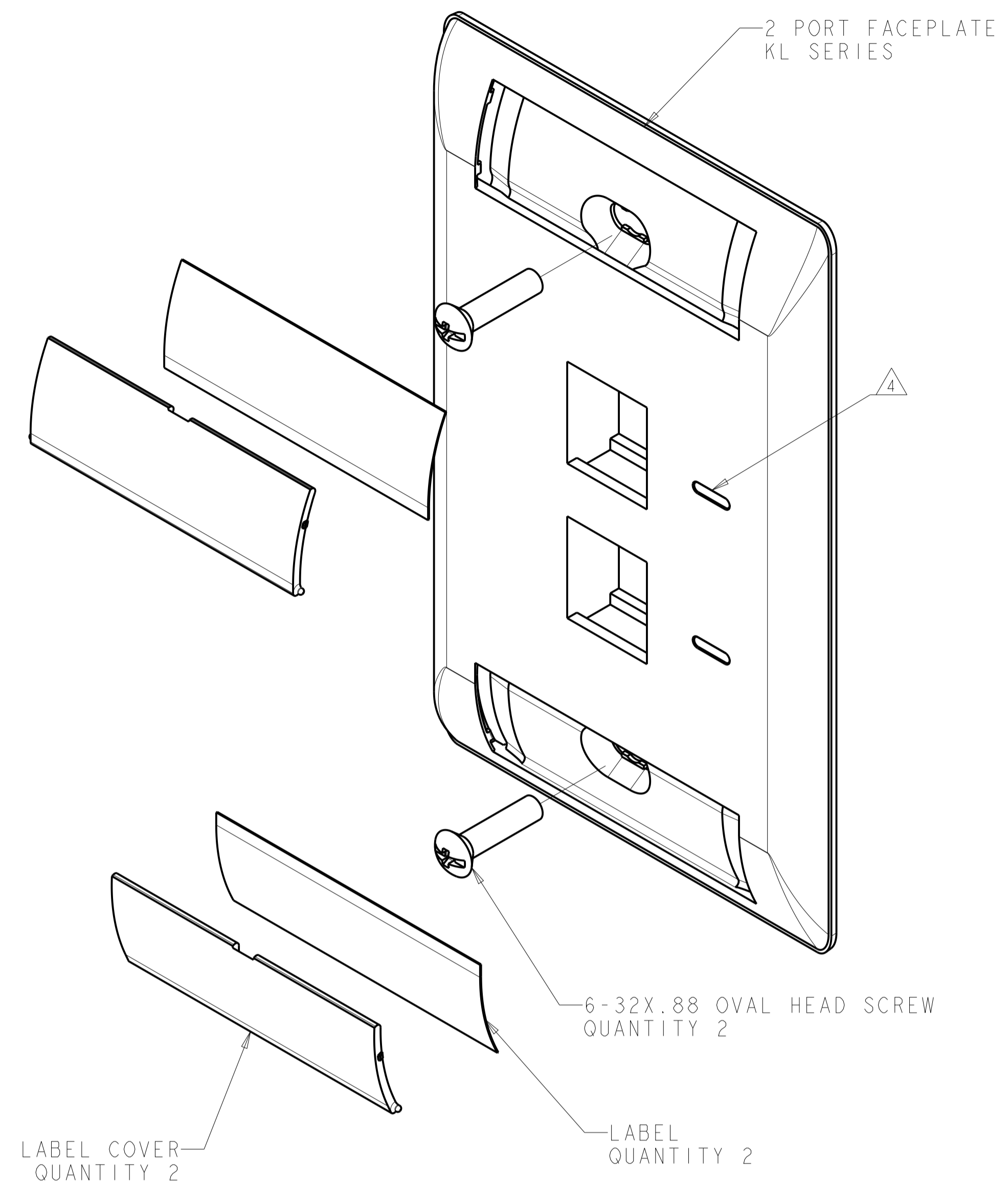
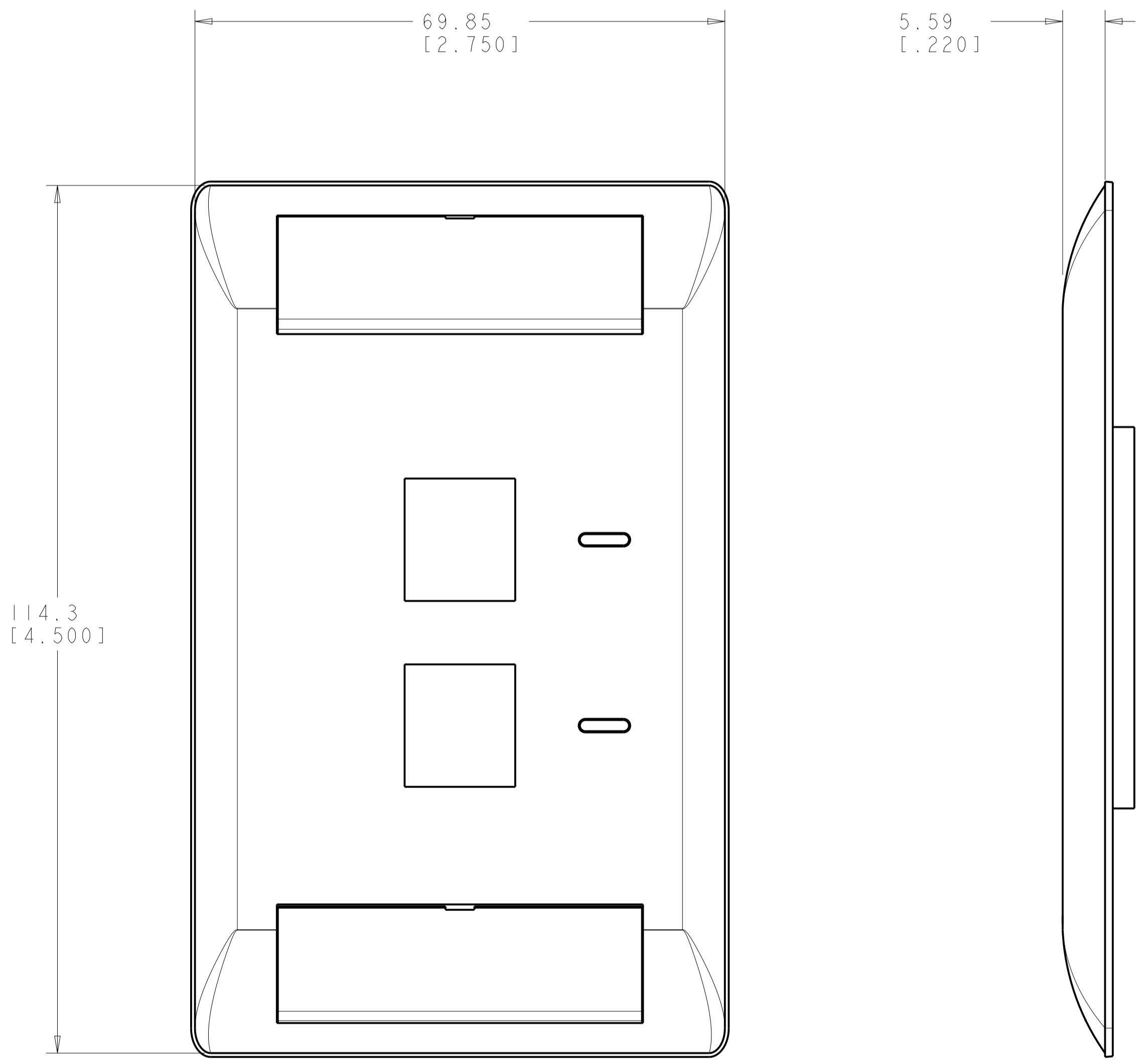


REVISIONS				
REV	LTN	DESCRIPTION	DATE	APP'D
A		RLSD; ECO-10-003803	09FEB2010	GG RA
B		REV; ECO-10-005392	10MAR2010	GG RA
C		REV PER BNS_CD_BRAND	01FEB2017	GG DC



- ⚠ DIMENSIONS ARE NOMINAL UNLESS OTHERWISE SPECIFIED.
- ⚠ MATERIAL:
FACEPLATE - POLYCARBONATE MOLDING COMPOUND. SEE TABLE FOR COLORS.
SCREWS - ZINC PLATED CARBON STEEL.
LABEL COVER - POLYCARBONATE MOLDING COMPOUND, CLEAR.
LABEL - WHITE INDEX PAPER.
- 3. THIS KIT SHIPPED NOT ASSEMBLED.
- ⚠ MOLD OVER ICON FEATURE.



ALPINE WHITE	1-2111037-3
ELECTRIC IVORY	1-2111037-1
NEMA GRAY	2111037-4
WHITE	2111037-3
BLACK	2111037-2
LIGHT ALMOND	2111037-1
COLOR	PART NUMBER

THIS DRAWING IS A CONTROLLED DOCUMENT.		OWN: G. GARRETT 31MAR2009	COMMSCOPE, INC.	
DIMENSIONS: MM [INCHES]		CHK: R. ASHBY 31MAR2009	KIT, FACEPLATE, COMMERCIAL, SINGLE GANG, 2 PORT, KL SERIES	
TOLERANCES UNLESS OTHERWISE SPECIFIED:		APP'D: P. ASHBY 31MAR2009	RESTRICTED TO	
0 PLC ±	1 PLC ±	PRODUCT SPEC	SIZE: A1	
2 PLC ±	3 PLC ±	APPLICATION SPEC	CAGE CODE: C=2111037	
4 PLC ±	ANGLES ±	WEIGHT	SCALE: 2:1	
MATERIAL: ⚠	FINISH: ⚠	CUSTOMER DRAWING	SHEET 1 OF 1 REV C	