

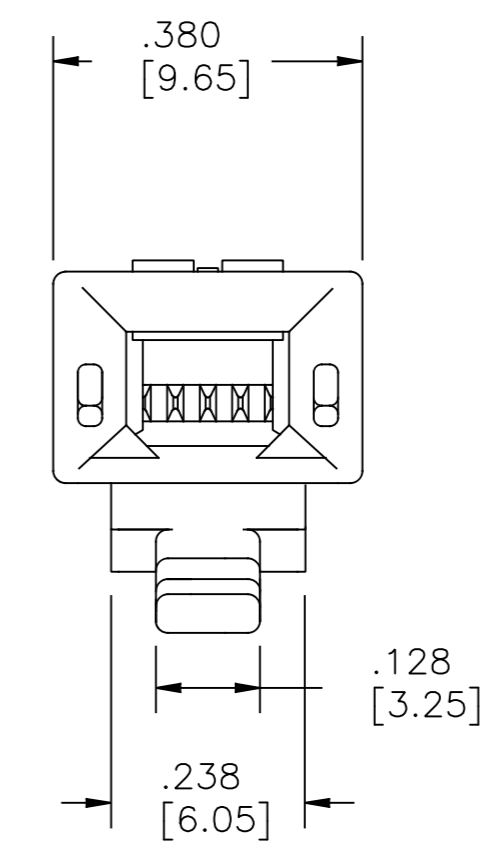
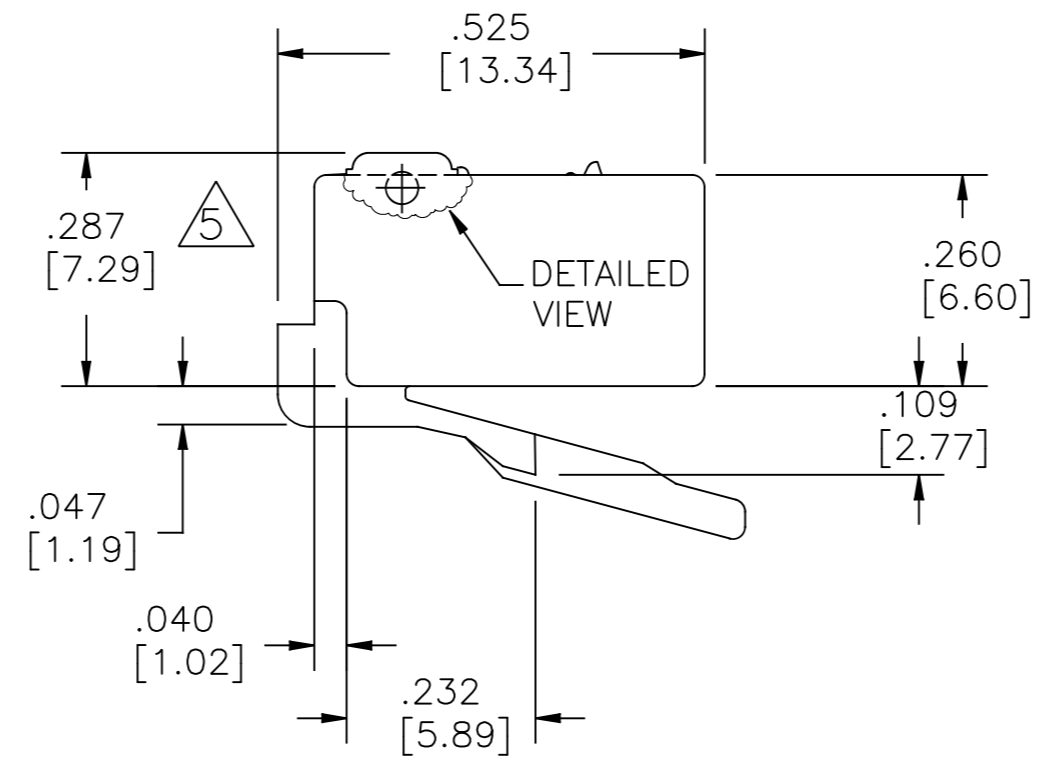
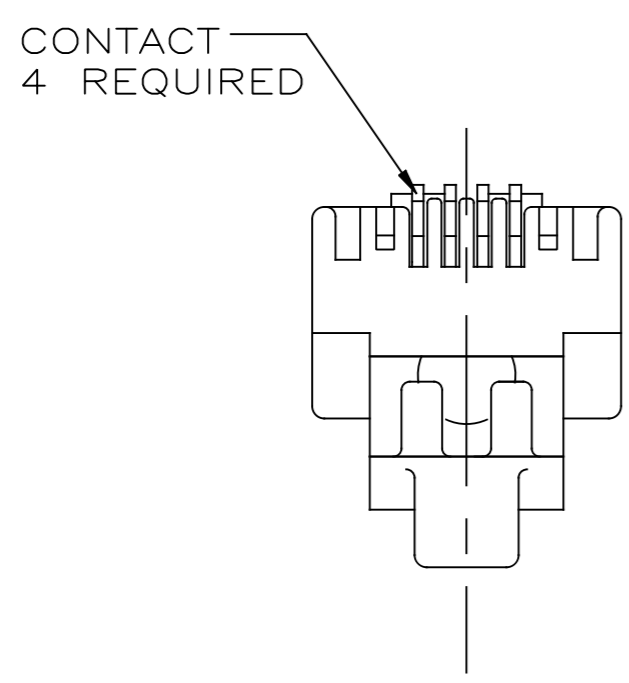
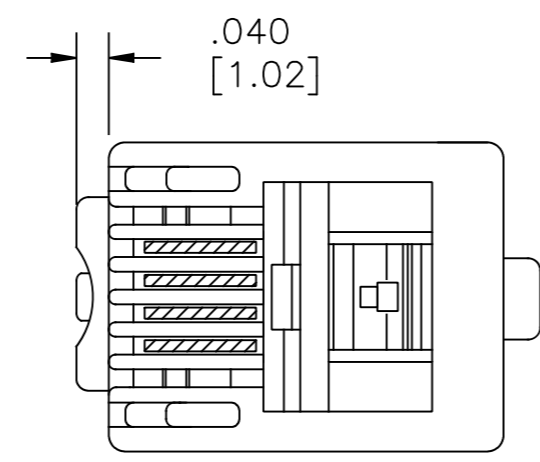
REVISIONS				
REV	DESCRIPTION	DATE	OWN	APVD
B	REV; MCO-40026563MCO	16NOV2015	HG	JG
C	REV PER BNS_CD_BRAND	21JAN2017	GG	DC

MP-44U

CABLE TYPE
 R=ROUND
 F=FLAT OVAL

PACKAGE SIZE
 5 = 500
 1 = 100

1. DIMENSIONS ARE NOMINAL UNLESS OTHERWISE SPECIFIED.
2. MATERIAL: HOUSING- POLYCARBONATE, CLEAR TERMINAL- .305 [.012] THICK PHOSPHOR BRONZE PLATED WITH 1.27[M [.00005] MINIMUM THICK GOLD IN LOCALIZED PLATE AREA OVER 2.54[M [.000100] MINIMUM THICK NICKEL UNDERPLATE.
3. NON-SMALL CONDUCTOR PLUGS WILL ACCEPT 24 TO 26 AWG SOLID OR STRANDED CONDUCTORS WITH A SINGLE INSULATION DIAMETER OF 0.86 - 0.99 [.034-.039].
4. MAXIMUM CABLE JACKET SIZE FOR THE 4 POSITION PLUGS IS 2.79 [.110] ROUND DIAMETER OR 2.29 X 4.83 [.090X.190] OVAL JACKET.
5. TERMINATED DIMENSION 5.89 [.232] - 6.15 [.242].
6. UL RECOGNIZED FILE NUMBER E81956.



UNSHIELDED MOD PLUG

100	6-569031-3	MP-44U-R-1
500	6-569031-2	MP-44U-R-5
PACKAGE	MATERIAL	CATALOG NUMBER

CATALOG NUMBER VERSIONS

THIS DRAWING IS A CONTROLLED DOCUMENT.		OWN: H. GAUL	11JUN2015
DIMENSIONS: INCHES [mm]		DES: J. GENIAC	11JUN2015
TOLERANCES UNLESS OTHERWISE SPECIFIED:		APVD: J. GENIAC	11JUN2015
0 PLC ± -	1 PLC ± -	NAME: MODULAR PLUG ASSEMBLY, 4 POSITION, HANDSET	
2 PLC ± .005	3 PLC ± .005	PRODUCT SPEC: 108-1163	
4 PLC ± -	ANGLES ± -	APPLICATION SPEC: 114-6016	
MATERIAL: POLYCARBONATE	FINISH: CLEAR	SIZE: A1	CAGE CODE: 2843027
CUSTOMER DRAWING		SCALE: 6:1	SHEET: 1 OF 2

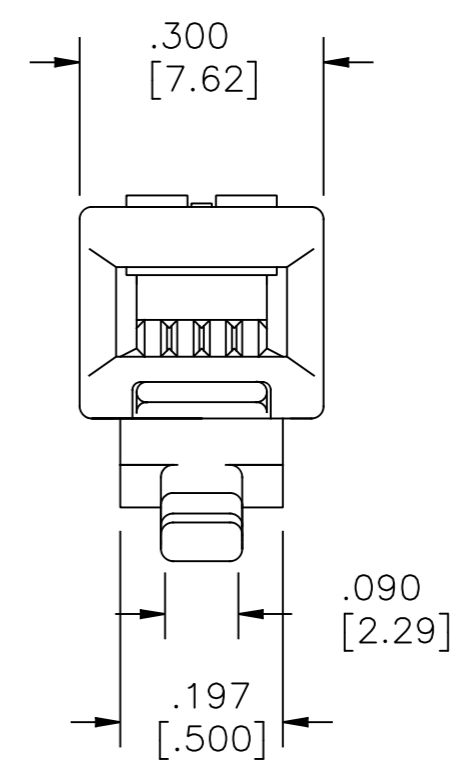
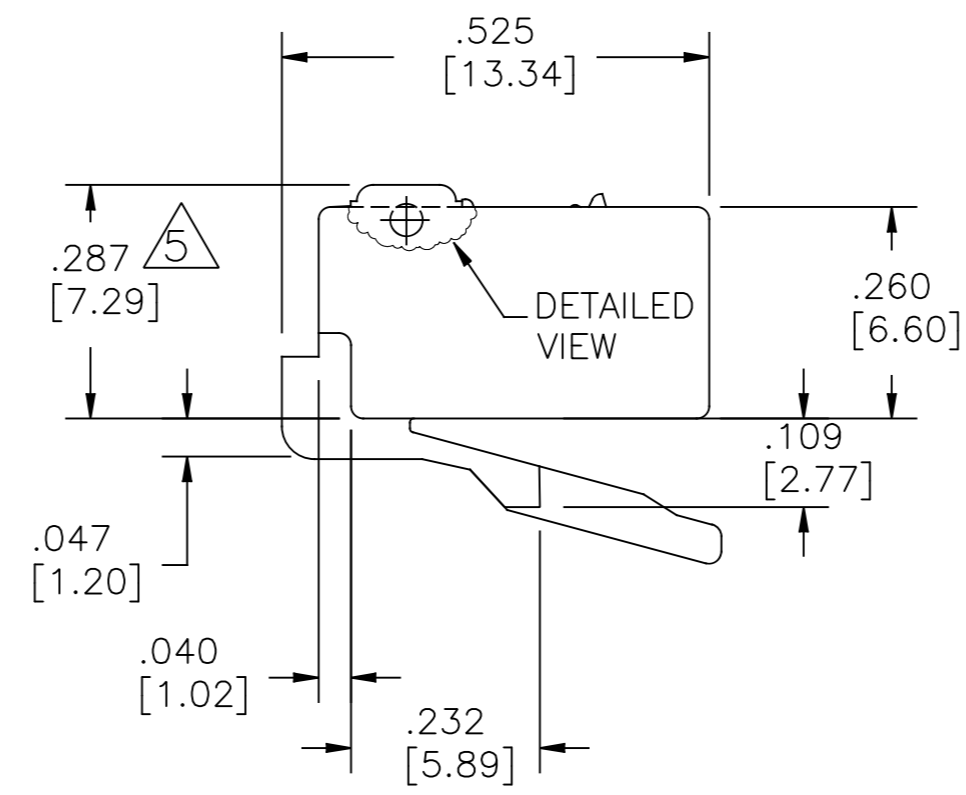
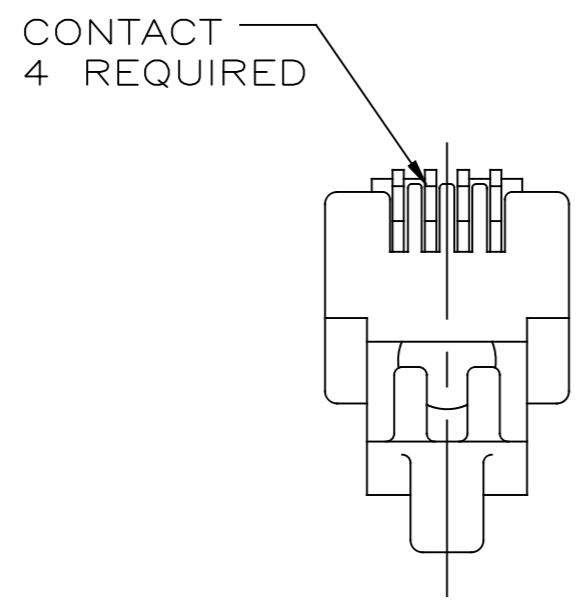
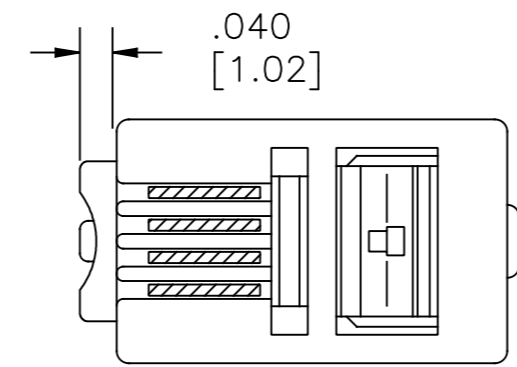
COMMSCOPE, INC.

REVISIONS				
REV	DATE	DESCRIPTION	BY	APP'D
1		SEE SHEET 1		

MP-44U

CABLE TYPE
 R=ROUND
 F=FLAT OVAL

PACKAGE SIZE
 5 = 500
 1 = 100



UNSHIELDED MOD PLUG

100	6-641334-3	MP-44U-F-1
500	6-641334-2	MP-44U-F-5
PACKAGE	MATERIAL	CATALOG NUMBER

CATALOG NUMBER VERSIONS

THIS DRAWING IS A CONTROLLED DOCUMENT.		DWN: H.GAUL 11JUN2015	COMMSCOPE, INC. NAME: MODULAR PLUG ASSEMBLY, 4 POSITION, HANDSET PRODUCT SPEC: 108-1163 APPLICATION SPEC: 114-6016
DIMENSIONS: INCHES [mm]		CHK: J.GENIAC 11JUN2015	
TOLERANCES UNLESS OTHERWISE SPECIFIED: 0 PLC ± - 1 PLC ± - 2 PLC ± - 3 PLC ± .005 4 PLC ± - ANGLES FINISH ± -		APVD: J.GENIAC 11JUN2015	SIZE: A1 CAGE CODE: - DRAWING NO: ©=2843027 RESTRICTED TO: -
MATERIAL:		FINISH:	CUSTOMER DRAWING SCALE: 6:1 SHEET: 2 OF 2 REV: C