

Figure 1

**1. INTRODUCTION**

Back Cable Manager Kits 1933352-[ ] are used to provide strain relief, support, and distribution of cables in horizontal and vertical routing from the patch panel. The cable manager is capable of supporting loads associated with large diameter cable. The cable manager is designed to be mounted onto a standard 483-mm [19-in.] Electronic Industries Alliance (EIA) rack or equipment cabinet.

**NOTE** Dimensions in this instruction sheet are in metric units [with U.S. customary units in brackets]. Figures are not drawn to scale.

To obtain information on AMP NETCONNECT® products, contact your local CommScope® account representative, PartnerPRO™ Network Partner or visit our website at [www.commscope.com](http://www.commscope.com)

**2. DESCRIPTION**

Each cable manager patch panel kit consists of a left support bracket, right support bracket, tie down bar, 2 thumb screws, and 4 mounting screws. The tie down bar and the brackets have slots for securing the cable. Refer to Figure 1.

**3. INSTALLATION**

**3.1. Mount to the Rack**

**A. Back Mount**

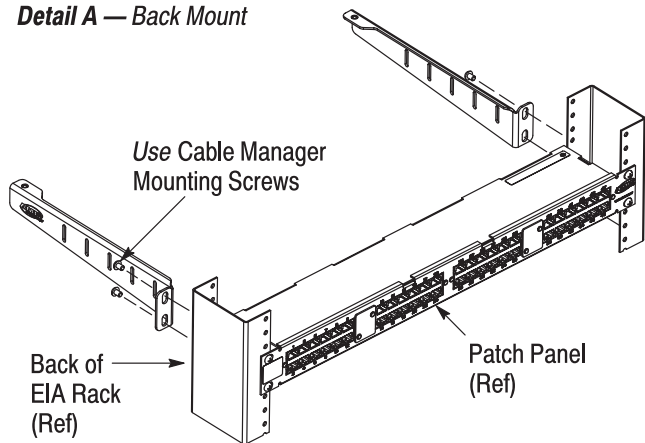
Align each bracket with the back of the rack so that the short leg faces out. Secure the brackets with the mounting screws included with the cable manager. Refer to Figure 2, Detail A.

**B. Front Mount**

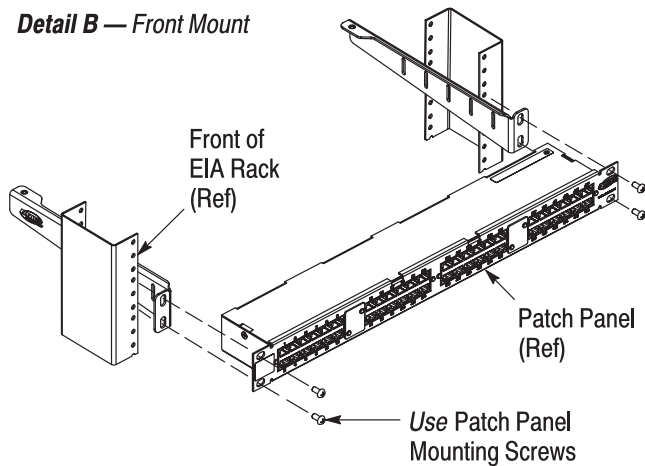
If the cable manager will be using the same holes of the rack as the patch panel (as shown in Figure 2, Detail B), the cable manager must be installed onto the rack *before* the patch panel.

Align each bracket with the front of the rack so that the short leg faces out. Secure the brackets and the patch panel with the mounting screws included with the patch panel. Refer to Figure 2, Detail B.

Detail A — Back Mount



Detail B — Front Mount



**Note:** Figures shown with cable manager and patch panel using same holes of rack.

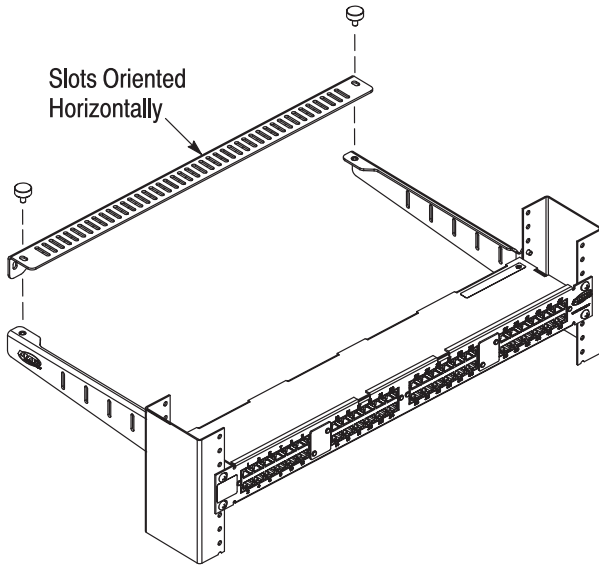
Figure 2

### 3.2. Attach the Tie Down Bar

1. Align the mounting holes of tie down bar with the ends of the brackets so that the slots of the tie down bar are oriented either horizontally (shown in Figure 3, Detail A) or vertically (shown in Figure 3, Detail B).
2. Thread the thumb screws through the top holes, then hand-tighten the thumb screws.

**Attaching Tie Down Bar**

**Detail A**



**Detail B**

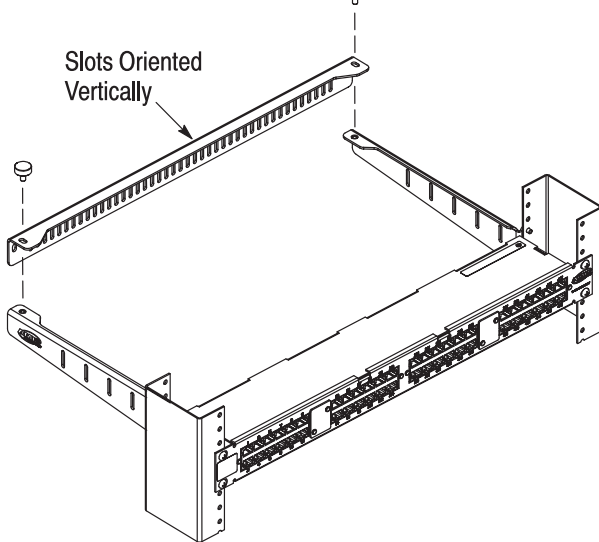


Figure 3

### 3.3. Secure the Cable

Using a cable tie or hook-and-loop cable tie (both made of nylon), or similar cable fasteners, secure the cable to the tie down bar and/or the brackets. The cable can be secured over or under the tie down bar and to the inside or outside of the brackets. Distribute the cables evenly. See Figure 4.

**CAUTION** To avoid damage to the cable, DO NOT over-tighten the cable fasteners.

DO NOT exceed the maximum total load of 9 kg [20 lbs].

**Securing Cable**

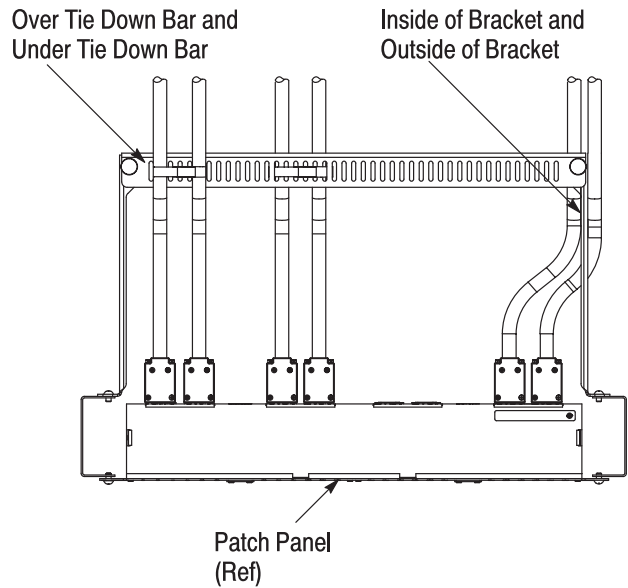


Figure 4

### 4. REVISION SUMMARY

- Rebranded to **CommScope**